

 **BOEING**
COMPONENT
MAINTENANCE MANUAL

TO: ALL HOLDERS OF FAN DUCT COWL AND THRUST REVERSER ASSEMBLY (CF6-80A)
COMPONENT MAINTENANCE MANUAL 78-31-15

REVISION NO. 23 DATED NOV 01/05

HIGHLIGHTS

Pages which have been added or revised are outlined below together with the highlights of the revision. Remove and insert the affected pages as listed and enter the Revision No. and date on the Record of Revision Sheet.

CHAPTER/SECTION

AND PAGE NO.

DESCRIPTION OF CHANGE

REPAIR 1-1

Added bearing swaging tool A20012-10.

601-602

901

1011-1040A,1056Z-1057

Edited quantity of actuator in Fig. 3, Items 230D and 230E to reflect the engineering drawing.

1046Z,1048G-1048H

Revised effectivity codes of Fig. 1, Items 820A, 922B and 923B to reflect the engineering drawing.

78-31-15

HIGHLIGHTS

01.1

Page 1

Nov 01/05

FAN DUCT COWL AND THRUST REVERSER ASSEMBLY (CF6-80A)

PART NUMBERS 015T0094-11 THRU -14
015T0131-5SP THRU -10SP
015T0442-33 THRU -46
315T1001-1SP THRU -4SP,
-7SP THRU -40SP
315T4725-15 THRU -76

COMPONENT MAINTENANCE MANUAL
WITH
ILLUSTRATED PARTS LIST

78-31-15

TITLE PAGE

Page 1

Jul 01/04

01.1

REVISION RECORD

- Retain this record in front of manual. On receipt of revision, insert revised pages in the manual, and enter revision number, date inserted and initial.

REVISION NUMBER	REVISION DATE	DATE FILED	BY	REVISION NUMBER	REVISION DATE	DATE FILED	BY

TEMPORARY REVISION AND SERVICE BULLETIN RECORD

BOEING SERVICE BULLETIN	BOEING TEMPORARY REVISION	OTHER DIRECTIVE	DATE OF INCORPORATION INTO MANUAL
		PRR B10705	JAN 10/83
		PRR B10395-1	JAN 10/83
		PRR B10437	JAN 10/83
		PRR B10638	JAN 10/83
		PRR B10375	JAN 10/83
		PRR B10401-1	JAN 10/83
		PRR VDC-T0091	JAN 10/83
		PRR VDC-T0175	JAN 10/83
767-78-8		PRR B11117-1	JUL 10/84
767-78-11		PRR B11206	JUL 10/85
767-11-08			JUL 10/85
767-78-12		PRR B11287	OCT 01/90
		PRR B11264	JUL 10/85
		PRR B10793	JUL 10/85
767-71A0025		PRR B11380	JUL 01/89
		PRR B11325-4	JUL 10/86
		PRR B11572	APR 10/87
767-78-22 & 22R1			JUL 01/89
767-78-26		MC 7834MK6002	JUL 01/89
	78-2		JUL 01/89
		PRR C12339	OCT 01/90
767-54A28		PRR B11480-65	OCT 01/90
		PRR B11948	OCT 01/90
767-78-0060 R2	78-5	PRR B12473R	MAR 01/95
767-78-0067		PRR B12473R	OCT 01/93
767-78-0067 R2	78-5	PRR B12473R	MAR 01/95
767-78-4 R2		PRR 10793-1	MAR 01/95
767-78-0053R2			MAR 01/95
767-54A0028R1		PRR B11480-65	MAR 01/95
		PRR B11822R	MAR 01/95

78-31-15

TR & SB RECORD

01.1

Page 1

Mar 01/95

PAGE	DATE	CODE	PAGE	DATE	CODE
78-31-15			CHECK		
TITLE PAGE			501	MAR 01/95	01.1
1	JUL 01/04	01.1	502	JUL 01/89	01.1
2	BLANK		REPAIR-GENERAL		
REVISION RECORD			601	JUL 01/04	01.1
1	JUL 10/85	01.1	602	MAR 01/95	01.1
2	BLANK		603	MAR 01/95	01.1
TR & SB RECORD			604	BLANK	
1	MAR 01/95	01.1	REPAIR 1-1		
2	BLANK		*601	NOV 01/05	01.1
LIST OF EFFECTIVE PAGES			*602	NOV 01/05	01.1
*1	NOV 01/05	01	REPAIR 2-1		
THRU LAST PAGE			601	JUL 10/85	01.1
CONTENTS			602	JUL 01/89	01.1
1	JUL 10/85	01.1	REPAIR 3-1		
2	BLANK		601	JUL 01/89	01.1
INTRODUCTION			602	BLANK	
1	JUL 10/85	01.1	REPAIR 4-1		
2	BLANK		601	JUL 01/04	01.101
DESCRIPTION & OPERATION			602	JUL 01/04	01.1
1	MAR 01/95	01.1	REPAIR 5-1		
2	BLANK		601	JUL 01/89	01.1
TESTING & TROUBLE SHOOTING			602	JUL 01/89	01.1
101	MAR 01/03	01.1	REPAIR 6-1		
102	OCT 01/87	01.1	601	JUL 01/89	01.1
103	MAR 01/98	01.1	602	JUL 01/89	01.1
104	BLANK		REPAIR 6-2		
DISASSEMBLY			601	JUL 01/89	01.1
301	JUL 01/04	01.1	602	BLANK	
302	MAR 01/95	01.1	REPAIR 7-1		
303	MAR 01/95	01.101	601	JUL 01/89	01.1
304	MAR 01/95	01.101	602	JUL 01/89	01.1

* = REVISED, ADDED OR DELETED

78-31-15

EFFECTIVE PAGES
CONTINUED Page 1
01 Nov 01/05

PAGE	DATE	CODE	PAGE	DATE	CODE
REPAIR 7-2			ILLUSTRATED PARTS LIST		CONT.
601	OCT 01/87	01.1	1009	JUL 01/04	01.1
602	BLANK		1010	JUL 01/04	01.1
REPAIR 8-1			*1011	NOV 01/05	01.1
601	MAR 01/03	01.1	*1012	NOV 01/05	01.1
602	MAR 01/03	01.101	*1013	NOV 01/05	01.1
REPAIR 9-1			*1014	NOV 01/05	01.1
601	JUL 01/89	01.1	*1015	NOV 01/05	01.1
602	JUL 10/85	01.1	*1016	NOV 01/05	01.1
603	JUL 01/89	01.1	*1017	NOV 01/05	01.1
604	BLANK		*1018	NOV 01/05	01.1
ASSEMBLY			*1019	NOV 01/05	01.1
701	MAR 01/03	01.1	*1020	NOV 01/05	01.1
702	JUL 01/89	01.1	*1021	NOV 01/05	01.1
703	MAR 01/99	01.1	*1022	NOV 01/05	01.1
704	MAR 01/95	01.1	*1023	NOV 01/05	01.1
705	MAR 01/95	01.1	*1024	NOV 01/05	01.1
706	MAR 01/95	01.1	*1025	NOV 01/05	01.1
707	JUL 01/93	01.1	*1026	NOV 01/05	01.1
708	MAR 01/98	01.1	*1027	NOV 01/05	01.1
709	JUL 01/93	01.101	*1028	NOV 01/05	01.1
710	JUL 01/93	01.101	*1029	NOV 01/05	01.1
711	JUL 01/93	01.1	*1030	NOV 01/05	01.1
712	JUL 01/93	01.101	*1031	NOV 01/05	01.1
713	JUL 01/93	01.101	*1032	NOV 01/05	01.1
714	BLANK		*1033	NOV 01/05	01.1
SPECIAL TOOLS			*1034	NOV 01/05	01.1
*901	NOV 01/05	01.1	*1035	NOV 01/05	01.1
902	BLANK		*1036	NOV 01/05	01.1
ILLUSTRATED PARTS LIST			*1037	NOV 01/05	01.1
1001	JUL 01/89	01.1	*1038	NOV 01/05	01.1
1002	JUL 01/04	01.1	*1039	NOV 01/05	01.1
1003	JUL 01/04	01.1	*1040	NOV 01/05	01.1
1004	JUL 01/04	01.1	*1040A	NOV 01/05	01.1
1005	JUL 01/04	01.1	1040B	BLANK	
1006	JUL 01/04	01.1	1040C	JUL 01/04	01.1
1007	JUL 01/04	01.1	1040D	JUL 01/04	01.1
1008	JUL 01/04	01.1	1040E	JUL 01/04	01.1
			1040F	JUL 01/04	01.1
			1040G	JUL 01/04	01.1
			1040H	JUL 01/04	01.1
			1040I	JUL 01/04	01.1
			1040J	JUL 01/04	01.1

* = REVISED, ADDED OR DELETED

78-31-15

EFFECTIVE PAGES
 CONTINUED Page 2
 01 Nov 01/05



BOEING
COMPONENT
MAINTENANCE MANUAL

PAGE	DATE	CODE	PAGE	DATE	CODE
ILLUSTRATED PARTS LIST		CONT.	ILLUSTRATED PARTS LIST		CONT.
1040K	JUL 01/04	01.1	1042Y	JUL 01/04	01.1
1040L	JUL 01/04	01.1	1042Z	JUL 01/04	01.1
1040M	JUL 01/04	01.1	1043	JUL 01/04	01.1
1040N	JUL 01/04	01.1	1044	JUL 01/04	01.1
1040O	JUL 01/04	01.1	1044A	JUL 01/04	01.1
1040P	JUL 01/04	01.1	1044B	JUL 01/04	01.1
1040Q	JUL 01/04	01.1	1044C	JUL 01/04	01.1
1040R	JUL 01/04	01.1	1044D	JUL 01/04	01.1
1040S	JUL 01/04	01.1	1044E	JUL 01/04	01.1
1040T	JUL 01/04	01.1	1044F	JUL 01/04	01.1
1040U	JUL 01/04	01.1	1044G	JUL 01/04	01.1
1040V	JUL 01/04	01.1	1044H	JUL 01/04	01.1
1040W	JUL 01/04	01.1	1044I	JUL 01/04	01.1
1040X	JUL 01/04	01.1	1044J	JUL 01/04	01.1
1040Y	JUL 01/04	01.1	1044K	JUL 01/04	01.1
1040Z	JUL 01/04	01.1	1044L	JUL 01/04	01.1
1041	JUL 01/04	01.1	1044M	JUL 01/04	01.1
1042	JUL 01/04	01.1	1044N	JUL 01/04	01.1
1042A	JUL 01/04	01.1	1044O	JUL 01/04	01.1
1042B	JUL 01/04	01.1	1044P	JUL 01/04	01.1
1042C	JUL 01/04	01.1	1044Q	JUL 01/04	01.1
1042D	JUL 01/04	01.1	1044R	JUL 01/04	01.1
1042E	JUL 01/04	01.1	1044S	JUL 01/04	01.1
1042F	JUL 01/04	01.1	1044T	JUL 01/04	01.1
1042G	JUL 01/04	01.1	1044U	JUL 01/04	01.1
1042H	JUL 01/04	01.1	1044V	JUL 01/04	01.1
1042I	JUL 01/04	01.1	1044W	JUL 01/04	01.1
1042J	JUL 01/04	01.1	1044X	JUL 01/04	01.1
1042K	JUL 01/04	01.1	1044Y	JUL 01/04	01.1
1042L	JUL 01/04	01.1	1044Z	JUL 01/04	01.1
1042M	JUL 01/04	01.1	1045	JUL 01/04	01.1
1042N	JUL 01/04	01.1	1046	JUL 01/04	01.1
1042O	JUL 01/04	01.1	1046A	JUL 01/04	01.1
1042P	JUL 01/04	01.1	1046B	JUL 01/04	01.1
1042Q	JUL 01/04	01.1	1046C	JUL 01/04	01.1
1042R	JUL 01/04	01.1	1046D	JUL 01/04	01.1
1042S	JUL 01/04	01.1	1046E	JUL 01/04	01.1
1042T	JUL 01/04	01.1	1046F	JUL 01/04	01.1
1042U	JUL 01/04	01.1	1046G	JUL 01/04	01.1
1042V	JUL 01/04	01.1	1046H	JUL 01/04	01.1
1042W	JUL 01/04	01.1	1046I	JUL 01/04	01.1
1042X	JUL 01/04	01.1	1046J	JUL 01/04	01.1

* = REVISED, ADDED OR DELETED

78-31-15

EFFECTIVE PAGES
CONTINUED Page 3
01 Nov 01/05

PAGE	DATE	CODE	PAGE	DATE	CODE
ILLUSTRATED PARTS LIST		CONT.	ILLUSTRATED PARTS LIST		CONT.
1046K	JUL 01/04	01.1	1048Y	JUL 01/04	01.1
1046L	JUL 01/04	01.1	1048Z	JUL 01/04	01.1
1046M	JUL 01/04	01.1	1049	BLANK	
1046N	JUL 01/04	01.1	1050	JUL 01/04	01.1
1046O	JUL 01/04	01.1	1050A	JUL 01/04	01.1
1046P	JUL 01/04	01.1	1050B	JUL 01/04	01.1
1046Q	JUL 01/04	01.1	1050C	JUL 01/04	01.1
1046R	JUL 01/04	01.1	1050D	JUL 01/04	01.1
1046S	JUL 01/04	01.1	1050E	JUL 01/04	01.1
1046T	JUL 01/04	01.1	1050F	JUL 01/04	01.1
1046U	JUL 01/04	01.1	1050G	JUL 01/04	01.1
1046V	JUL 01/04	01.1	1050H	JUL 01/04	01.1
1046W	JUL 01/04	01.1	1050I	JUL 01/04	01.1
1046X	JUL 01/04	01.1	1050J	JUL 01/04	01.1
1046Y	JUL 01/04	01.1	1050K	JUL 01/04	01.1
*1046Z	NOV 01/05	01.1	1050L	JUL 01/04	01.1
1047	JUL 01/04	01.1	1050M	JUL 01/04	01.1
1048	JUL 01/04	01.1	1050N	JUL 01/04	01.1
1048A	JUL 01/04	01.1	1050O	JUL 01/04	01.1
1048B	JUL 01/04	01.1	1050P	JUL 01/04	01.1
1048C	JUL 01/04	01.1	1050Q	JUL 01/04	01.1
1048D	JUL 01/04	01.1	1050R	JUL 01/04	01.1
1048E	JUL 01/04	01.1	1050S	JUL 01/04	01.1
1048F	JUL 01/04	01.1	1050T	JUL 01/04	01.1
*1048G	NOV 01/05	01.1	1050U	JUL 01/04	01.1
*1048H	NOV 01/05	01.1	1050V	JUL 01/04	01.1
1048I	JUL 01/04	01.1	1050W	JUL 01/04	01.1
1048J	JUL 01/04	01.1	1050X	JUL 01/04	01.1
1048K	JUL 01/04	01.1	1050Y	JUL 01/04	01.1
1048L	JUL 01/04	01.1	1050Z	JUL 01/04	01.1
1048M	JUL 01/04	01.1	1051	JUL 01/04	01.1
1048N	JUL 01/04	01.1	1052	JUL 01/04	01.1
1048O	JUL 01/04	01.1	1052A	JUL 01/04	01.1
1048P	JUL 01/04	01.1	1052B	JUL 01/04	01.1
1048Q	JUL 01/04	01.1	1052C	JUL 01/04	01.1
1048R	JUL 01/04	01.1	1052D	JUL 01/04	01.1
1048S	JUL 01/04	01.1	1052E	JUL 01/04	01.1
1048T	JUL 01/04	01.1	1052F	JUL 01/04	01.1
1048U	JUL 01/04	01.1	1052G	JUL 01/04	01.1
1048V	JUL 01/04	01.1	1052H	JUL 01/04	01.1
1048W	JUL 01/04	01.1	1052I	JUL 01/04	01.1
1048X	JUL 01/04	01.1	1052J	JUL 01/04	01.1

* = REVISED, ADDED OR DELETED

78-31-15

EFFECTIVE PAGES
 CONTINUED Page 4
 01 Nov 01/05



BOEING
COMPONENT
MAINTENANCE MANUAL

PAGE	DATE	CODE	PAGE	DATE	CODE
ILLUSTRATED PARTS LIST		CONT.	ILLUSTRATED PARTS LIST		CONT.
1052K	JUL 01/04	01.1	1054Y	JUL 01/04	01.1
1052L	JUL 01/04	01.1	1054Z	JUL 01/04	01.1
1052M	JUL 01/04	01.1	1055	JUL 01/04	01.1
1052N	JUL 01/04	01.1	1056	JUL 01/04	01.1
1052O	JUL 01/04	01.1	1056A	JUL 01/04	01.1
1052P	JUL 01/04	01.1	1056B	JUL 01/04	01.1
1052Q	JUL 01/04	01.1	1056C	JUL 01/04	01.1
1052R	JUL 01/04	01.1	1056D	JUL 01/04	01.1
1052S	JUL 01/04	01.1	1056E	JUL 01/04	01.1
1052T	JUL 01/04	01.1	1056F	JUL 01/04	01.1
1052U	JUL 01/04	01.1	1056G	JUL 01/04	01.1
1052V	JUL 01/04	01.1	1056H	JUL 01/04	01.1
1052W	JUL 01/04	01.1	1056I	JUL 01/04	01.1
1052X	JUL 01/04	01.1	1056J	JUL 01/04	01.1
1052Y	BLANK		1056K	JUL 01/04	01.1
1052Z	JUL 01/04	01.1	1056L	JUL 01/04	01.1
1053	JUL 01/04	01.1	1056M	JUL 01/04	01.1
1054	JUL 01/04	01.1	1056N	JUL 01/04	01.1
1054A	JUL 01/04	01.1	1056O	JUL 01/04	01.1
1054B	JUL 01/04	01.1	1056P	JUL 01/04	01.1
1054C	JUL 01/04	01.1	1056Q	JUL 01/04	01.1
1054D	JUL 01/04	01.1	1056R	JUL 01/04	01.1
1054E	JUL 01/04	01.1	1056S	JUL 01/04	01.1
1054F	JUL 01/04	01.1	1056T	JUL 01/04	01.1
1054G	JUL 01/04	01.1	1056U	JUL 01/04	01.1
1054H	JUL 01/04	01.1	1056V	JUL 01/04	01.1
1054I	JUL 01/04	01.1	1056W	JUL 01/04	01.1
1054J	JUL 01/04	01.1	1056X	JUL 01/04	01.1
1054K	JUL 01/04	01.1	1056Y	JUL 01/04	01.1
1054L	JUL 01/04	01.1	*1056Z	NOV 01/05	01.1
1054M	JUL 01/04	01.1	*1057	NOV 01/05	01.1
1054N	JUL 01/04	01.1	*1058	NOV 01/05	01.101
1054O	JUL 01/04	01.1	1058A	BLANK	
1054P	JUL 01/04	01.1	1058B	JUL 01/04	01.1
1054Q	JUL 01/04	01.1	1058C	JUL 01/04	01.1
1054R	JUL 01/04	01.1	1058D	JUL 01/04	01.1
1054S	JUL 01/04	01.1	1058E	JUL 01/04	01.1
1054T	JUL 01/04	01.1	1058F	JUL 01/04	01.1
1054U	JUL 01/04	01.1	1058G	JUL 01/04	01.1
1054V	JUL 01/04	01.1	1058H	JUL 01/04	01.1
1054W	JUL 01/04	01.1	1058I	JUL 01/04	01.1
1054X	JUL 01/04	01.1	1058J	JUL 01/04	01.1

* = REVISED, ADDED OR DELETED

78-31-15

EFFECTIVE PAGES
CONTINUED Page 5
01 Nov 01/05

PAGE	DATE	CODE	PAGE	DATE	CODE
ILLUSTRATED	PARTS LIST	CONT.	ILLUSTRATED	PARTS LIST	CONT.
1058K	JUL 01/04	01.1	1060Y	JUL 01/04	01.1
1058L	JUL 01/04	01.1	1060Z	JUL 01/04	01.1
1058M	JUL 01/04	01.1	1061	BLANK	
1058N	JUL 01/04	01.1	1062	JUL 01/04	01.1
1058O	JUL 01/04	01.1	1062A	JUL 01/04	01.1
1058P	JUL 01/04	01.1	1062B	JUL 01/04	01.1
1058Q	JUL 01/04	01.1	1062C	JUL 01/04	01.1
1058R	BLANK		1062D	JUL 01/04	01.1
1058S	JUL 01/04	01.1	1062E	JUL 01/04	01.1
1058T	JUL 01/04	01.1	1062F	JUL 01/04	01.1
1058U	JUL 01/04	01.1	1062G	JUL 01/04	01.1
1058V	JUL 01/04	01.1	1062H	JUL 01/04	01.1
1058W	JUL 01/04	01.1	1062I	JUL 01/04	01.1
1058X	JUL 01/04	01.1	1062J	JUL 01/04	01.1
1058Y	JUL 01/04	01.1	1062K	JUL 01/04	01.1
1058Z	JUL 01/04	01.1	1062L	JUL 01/04	01.1
1059	JUL 01/04	01.1	1062M	BLANK	
1060	JUL 01/04	01.1	1062N	JUL 01/04	01.1
1060A	JUL 01/04	01.1	1062O	JUL 01/04	01.1
1060B	JUL 01/04	01.1	1062P	JUL 01/04	01.1
1060C	JUL 01/04	01.1	1062Q	BLANK	
1060D	JUL 01/04	01.1	1062R	JUL 01/04	01.1
1060E	JUL 01/04	01.1	1062S	JUL 01/04	01.1
1060F	JUL 01/04	01.1	1062T	JUL 01/04	01.1
1060G	JUL 01/04	01.1	1062U	JUL 01/04	01.1
1060H	JUL 01/04	01.1	1062V	JUL 01/04	01.1
1060I	JUL 01/04	01.1	1062W	JUL 01/04	01.1
1060J	JUL 01/04	01.1	1062X	JUL 01/04	01.1
1060K	JUL 01/04	01.1	1062Y	JUL 01/04	01.1
1060L	JUL 01/04	01.1	1062Z	JUL 01/04	01.1
1060M	BLANK		1063	JUL 01/04	01.1
1060N	JUL 01/04	01.1	1064	JUL 01/04	01.1
1060O	JUL 01/04	01.1	1064A	JUL 01/04	01.1
1060P	JUL 01/04	01.1	1064B	JUL 01/04	01.1
1060Q	JUL 01/04	01.1	1064C	BLANK	
1060R	JUL 01/04	01.1	1064D	JUL 01/04	01.1
1060S	JUL 01/04	01.1	1064E	JUL 01/04	01.1
1060T	JUL 01/04	01.1	1064F	JUL 01/04	01.1
1060U	JUL 01/04	01.1	1064G	JUL 01/04	01.1
1060V	JUL 01/04	01.1	1064H	JUL 01/04	01.1
1060W	JUL 01/04	01.1	1064I	BLANK	
1060X	JUL 01/04	01.1	1064J	JUL 01/04	01.1

* = REVISED, ADDED OR DELETED

78-31-15

EFFECTIVE PAGES
 CONTINUED Page 6
 01 Nov 01/05

PAGE	DATE	CODE	PAGE	DATE	CODE
ILLUSTRATED PARTS LIST		CONT.			
1064K	JUL 01/04	01.1			
1064L	BLANK				

* = REVISED, ADDED OR DELETED

78-31-15

EFFECTIVE PAGES
LAST PAGE Page 7
01 Nov 01/05

TABLE OF CONTENTS

<u>Paragraph Title</u>	<u>Page</u>
Description and Operation	1
Testing and Trouble Shooting.	101
Disassembly.	301
Cleaning (not applicable)	
Check.	501
Repair	601
Assembly	701
Fits and Clearances.*[1]
Special Tools, Fixtures, and Equipment	901
Illustrated Parts List	1001

*[1] To be provided when available

INTRODUCTION

The instructions in this manual provide the information necessary to perform maintenance functions ranging from simple checks and replacement to complete shop-type repair.

This manual is divided into separate sections:

- | | |
|---|------------------------------|
| 1. Title Page | 4. List of Effective Pages |
| 2. Record of Revisions | 5. Table of Contents |
| 3. Temporary Revisions &
Service Bulletin Record | 6. Introduction |
| | 7. Procedures & IPL Sections |

Refer to the Table of Contents for the page location of applicable sections. An asterisked flagnote *[] in place of the page number indicates that no special instructions are provided since the function can be performed using standard industry practices.

The beginning of the REPAIR section includes a list of the separate repairs, a list of applicable standard Boeing practices, and an explanation of the True Position Dimensioning symbols used.

An explanation of the use of the Illustrated Parts List is provided in the Introduction to that section.

All weights and measurements used in the manual are in English units, unless otherwise stated. When metric equivalents are given they will be in parentheses following the English units.

Design changes, optional parts, configuration differences and Service Bulletin modifications create alternate part numbers. These are identified in the Illustrated Parts List (IPL) by adding an alphabetical character to the basic item number. The resulting item number is called an alpha-variant. Throughout the manual, IPL basic item number references also apply to alpha-variants unless otherwise indicated.

Verification:

Disassembly
Assembly

78-31-15

INTRODUCTION

01.1

Page 1

Jul 10/85

FAN DUCT COWL AND THRUST REVERSER ASSEMBLY

DESCRIPTION AND OPERATION

1. Description

A. The fan duct cowl and thrust reverser assembly consists of the following components: cascade vanes, actuation system, supporting stationary structure, translating sleeve, and blocker doors with linkages. The assembly is constructed in two halves and may be installed without interfering with basic engine installation. A hinge point on the strut assures quick engine access or removal. Hold-open rods support the cowl in the open position of approximately 45 degrees. A vee-band latch secures the cowl in the closed position.

2. Operation

A. During operation, six mechanically synchronized and internally snubbed hydraulic actuators translate the thrust reverser sleeve approximately 22 inches in the aft direction. Sensors indicate unlock of the sleeve from the stowed position. The relative motion between the sleeve and the fixed structure causes the twelve blocker doors to rotate and redirect the normal flow of fan air through the cascade vanes to provide reverse thrust. In the event the thrust reverser is inadvertently deployed or stowed, a feedback mechanism drives the throttle to idle. Following the deployment cycle, two or four of the actuators lock the thrust reverser in the stowed position.

3. Leading Particulars (Approximate)

Length -- 60 inches
Diameter -- 108 inches
Weight -- Left Side, 816 pounds
 Right Side, 786 pounds

TESTING/TROUBLE SHOOTING

1. Equipment

NOTE: Equivalent substitutes may be used.

- A. Support Stand, Functional Test -- A78011-70
- B. Hydraulic Service Cart -- Capable of supplying BMS 3-11, type 4, hydraulic fluid at 0-3000 psi filtered to 15 microns absolute.

2. Preparation for Manual Extension Test

- A. Ensure that deactivation pin (405, 407, IPL Fig. 1) is not installed at the clevis end of the locking actuator (235, IPL Fig. 3). Pin is normally stored in the same switchbox which contains the cowl open/close switches.
- B. Release lock on locking actuator (230D, 230E, 235, IPL Fig. 3) by pushing lock lever in the aft direction and engaging trip lever.
- C. Manually unlock the sync shaft lock assembly (203, IPL Fig. 3).

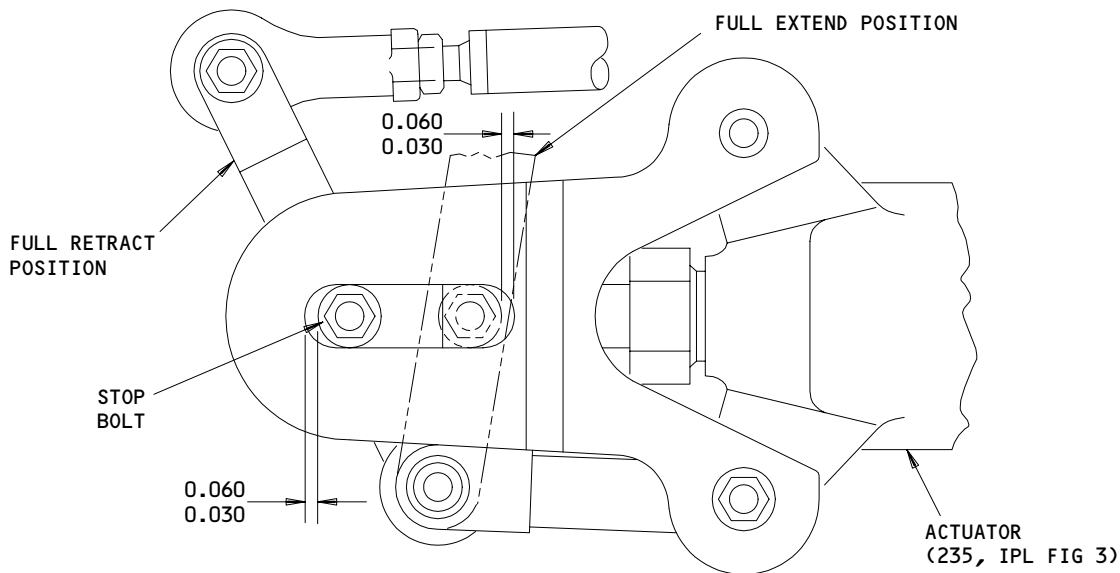
3. Manual Extension Test

- A. Manually crank flex cable at lower nonlocking actuator (230, IPL Fig. 3) and extend the thrust reverser sleeve to the fully deployed position. Verify that the sleeve moves smoothly for the entire extension with no evidence of binding.

CAUTION: THE FEEDBACK MECHANISM ON THE LOCKING ACTUATOR MUST BE SYNCHRONIZED WITH THE ACTUATOR PISTON ROD OR INTERNAL DAMAGE TO THE ACTUATOR WILL RESULT.

- B. With the locking actuator (230D, 230E, 235, IPL Fig. 3) at the fully extended position, check the feedback mechanism for proper synchronization. The stop bolt on the actuator feedback mechanism must be positioned in the stop bracket as shown in Fig. 101. Refer to Actuator Assembly CMM 78-31-01 if this requirement is not met.

78-31-15



ALL DIMENSIONS ARE IN INCHES

Locking Actuator Feedback Synchronization Check
Figure 101

- 100644
- C. Manually crank the flex cable to retract the thrust reverser sleeve. Verify that the sleeve slides smoothly with no evidence of binding.

NOTE: The actuator will ratchet before the thrust reverser sleeve is brought to the fully stowed position. This condition is normal.

4. Preparation for Hydraulic Test

CAUTION: THE FEEDBACK MECHANISM ON THE LOCKING ACTUATOR MUST BE SYNCHRONIZED WITH THE ACTUATOR PISTON ROD OR INTERNAL DAMAGE TO THE ACTUATOR WILL RESULT.

- A. Check that the stop bolt on the locking actuator (235, IPL Fig. 3) feedback mechanism is positioned in the stop bracket as shown in Fig. 101. Refer to Actuator Assembly CMM 78-31-01 if this requirement is not met.
- B. Make hydraulic supply connections to directional and flow control valves and to thrust reverser at EXTEND connector (180, IPL Fig. 3) and RETRACT connector (185, IPL Fig. 3).
- C. Ensure that all hydraulic hoses, connectors, and tubing clamps are tightened.

78-31-15

TESTING & TROUBLE SHOOTING
01.1 Page 102
Oct 01/87

- D. Check that the thrust reverser sleeve has been manually retracted to the stowed position to the point at which the actuator mechanism ratchets.
- E. Check that the deactivation pin (405, 407, IPL Fig. 1) is not installed at the clevis end of the locking actuator (235, IPL Fig. 3).

5. Reduced Hydraulic Pressure Test

CAUTION: CHECK ENTIRE ASSEMBLY TO ENSURE THAT THERE ARE NO OBSTRUCTIONS WHICH MAY PREVENT MOVEMENT OF THE THRUST REVERSER SLEEVE.

- A. Adjust hydraulic supply pressure to 2000 psi and activate directional control valve to fully retract the thrust reverser sleeve to the stowed position.
- B. Activate the directional control valve to deploy the thrust reverser sleeve.
- C. Verify that the thrust reverser sleeve extends to the fully deployed position with no evidence of binding.
- D. Activate the directional control valve to return the sleeve to the fully stowed position.

6. Full Hydraulic Pressure Test

CAUTION: CHECK ENTIRE ASSEMBLY TO ENSURE THAT THERE ARE NO OBSTRUCTIONS WHICH MAY PREVENT MOVEMENT OF THE THRUST REVERSER SLEEVE.

- A. Increase hydraulic supply pressure to 3000 psi.
- B. Operate the directional control valve to extend the thrust reverser sleeve to the fully deployed position and then back to the fully stowed position. Repeat this sequence for 10 cycles. The thrust reverser sleeve shall operate smoothly and without binding. No hydraulic fluid leaks shall be evident.

7. Electrical Test

- A. Check continuity of wire bundles (40 thru 55, IPL Fig. 4) per Wiring Diagram Manual.

| B. Deleted.

DISASSEMBLY

1. Equipment

NOTE: Equivalent substitutes may be used.

A. Support Stand -- A78011-70

2. Disassembly

NOTE: Disassemble this component only to the extent required for repair or replacement of subassemblies.

A. Opening Actuator Tubing Installation (IPL Fig. 6)

- (1) Remove nuts (70, 125), sleeve (120), washer (75), and union (80). Disconnect hose assembly (95) from upper end of tube assemblies (100, 105).
- (2) Remove nut (125), packing (90), and union (85) and disconnect tube assemblies (110, 115) from manifold assembly (50).
- (3) Disconnect tube assembly (110) from tube assembly (100) and tube assembly (115) from tube assembly (105). Remove nuts (70, 125), washer (75), sleeve (120), and union (80).
- (4) Remove tube assemblies (100 thru 115) by removing clampshells (45), nuts (20, 35), washers (15, 30), and screws (10, 25).
- (5) Remove manifold assembly (50) by removing nuts (65), washers (60), and bolts (55).

B. Actuator and Tubing Installation (IPL Fig. 3 unless noted)

- (1) Disconnect wire bundles (IPL Fig. 4) from switch installations (IPL Fig. 5), and from sensors (200, IPL Fig. 1). If necessary, remove wire bundle.
- (2) Loosen tube nuts at ends of flex tubing (155) and tube assys (104, 117, 125 thru 150).
- (3) Remove bolts (10, 15, 20), nuts (40, 45), and washers (25, 30).
- (4) Remove fairleads and channels (50 thru 95) and spacers (35, 40).

78-31-15

DISASSEMBLY

01.1

Page 301

Jul 01/04

- (5) Remove P-clamps (106) from tube assemblies (104 and 125) by removing screw (107), washer (108) and nut (109).
- (6) Remove tube assys (104, 117, 125 thru 150), flex tubing (155), and flex shaft (160).
- (7) Remove fitting (115).
- (8) Remove hose assys (180, 185).
- (9) Remove reducer (100) and tee (102) by removing items (105, 110).
- (10) Remove manual drive adapter (200).
- (11) Remove sync shaft lock assembly (203) by removing bolts (201), washers (202), bracket (198), clamp (196) and gasket (197).
- (12) Disconnect link assembly (10, IPL Fig. 2) by removing bolts (15, IPL Fig. 2), washer (35, IPL Fig. 2), and nut (45, IPL Fig. 2).
- (13) Remove bolts (245), washers (250), nuts (255), and cotter pins (240) at actuator attach fittings.

NOTE: Do not remove bushing (260) unless repair or replacement is necessary.

- (14) Remove bolts (210), fitting assemblies (205), and shims (225) at actuator gimbal attach points.
- (15) Remove actuators (230, 235). Retain cap assembly (190, 195).
- (16) If necessary remove sensor from actuator by removing nut (165, IPL Fig. 1) and washer (170, IPL Fig. 1).

C. Feedback Interlock Installation (IPL Fig. 2 unless noted)

- (1) Remove nut (45), washers (35, 40), bolt retainer (25), bolt (20), and disconnect link assembly (10) from bellcrank assembly (85).
- (2) Loosen nut (70) and remove rod end assembly (75) from link assembly (10).
- (3) Separate clevis (60), rod end (65), and tube (80) only if repair is required.
- (4) Remove nut (110), washers (100, 105), bushings (165, 170), and bolt (95).
- (5) Remove bellcrank assembly (85) with spring (175) from fitting (265).

78-31-15

DISASSEMBLY

01.1

Page 302

Mar 01/95

- (6) Remove washers (140, 205) spacers (135, 200), or bushings (115, 120, 125, 150) from bellcrank (155) only if repair or replacement is required.
 - (7) Remove sensor from bracket (255) by removing nut (165, IPL Fig. 1) and washer (170, IPL Fig. 1).
 - (8) Remove washer (230), spacer (225), bushings (240, 243, 245), or bracket (255) from support fitting (265) only if repair or replacement is required.
- D. Hold Open Rod (IPL Fig. 1)
- (1) Remove nut (590), washer (585), bolt (580), bushing (595), and remove hold-open rod (600).
 - (2) Remove attach fitting (620), if repair is required, by removing bolts (630, 635), collars (640), and rivets (645).
 - (3) Remove pin receiver (575) for hold-open rod (600) by removing nut (565), washers (560), shims (570), and bolt (555).
 - (4) If reworked hold-open rod is installed (IPL Fig. 9), remove bolts (5), nuts (10) clamps (15, 40), lockpin (20), and pin retainer (25).
- E. Latch Band Assembly (IPL Fig. 1)
- (1) Remove nut (705A), washer (704V), and bolt (704Q).
 - (2) Remove bolts (704), washers (704E), retainers (704K), and band assembly (720).
 - (3) Remove hinge fitting (740) or hook (745) if repair is required by removing bolts (725), washers (730), and collars (735).
- F. Drag Link Assembly (IPL Fig. 1)
- (1) Disconnect drag link assemblies (810) at cowl attach point by removing cotter pins (806), nuts (805), washers (790, 795), bushings (800), and bolts (785).
 - (2) Disconnect drag link assemblies (810) at blocker door attach points by removing nuts (780), washers (760, 765), bushings (770, 775), and bolts (755A).
 - (3) Remove bushings (815) or bearings (820) from drag links (825A) only if repair or replacement is required.

G. Fan Duct Cowl and Thrust Reverser Sleeve (IPL Fig. 1 unless noted)

- (1) Remove sleeve assembly (865A, 870A) from fan duct cowl (876 thru 891). Refer to CMM 78-31-25 for disassembly details of the sleeve assembly.
- (2) Remove sensor (200) by removing nuts (195), washers (190), and bolts (185).
- (3) Remove conduit (250) and clamps (245) by removing nuts (220), washer (215, 230), and bolts (210, 225).
- (4) Target (305) may be removed by removing nuts (275), washers (270, 295, 300), and bolts (265).
- (5) Remove stops (355, 395) from sleeve assembly (865A) by removing bolts (365, 390).
- (6) Remove cover (45, 55, 60, IPL Fig. 5) from switch installation (1, 5, IPL Fig. 5), by removing screws (20, IPL Fig. 5).
- (7) Remove switches (25, 30, 35, IPL Fig. 5) and guards (10, 15, IPL Fig. 5) from covers if replacement is necessary.
- (8) Connector (80, IPL Fig. 5) may be removed by removing screws (70, IPL Fig. 5) and nuts (75, IPL Fig. 5).
- (9) Remove ground maintenance deactivation pin (1, IPL Fig. 8) from bracket assembly (10, IPL Fig. 7). Streamer assembly (20, IPL Fig. 8) may be removed if necessary by removing items (25 thru 40, IPL Fig. 8).
- (10) Disassemble deactivation pin stowage bracket assembly (10, IPL Fig. 7), if required, by removing bolts (45, 65, 85), collars (50, 70, 90), angles (75, 95), and channels (55, 60).
- (11) Do not remove decals (85 thru 130, IPL Fig. 5) unless replacement is required.
- (12) Remove upper fairing assembly (30A) by removing bolts (45, 47, 60).
- (13) Remove lower fairing assy (90B) by removing bolts (105, 107, 120).
- (14) Refer to CMM 71-11-32 for disassembly details of the fan duct cowl assembly.

78-31-15

DISASSEMBLY

01.101

Page 304

Mar 01/95

CHECK

1. Check all parts for obvious defects in accordance with standard industry practice.
2. Perform a penetrant check on the following parts per 20-20-02.
 - A. Stop (380, 385, 395, 400, IPL Fig. 1)
 - B. Fitting (610, 615, 655, 660, IPL Fig. 1)
 - C. Clevis (60, IPL Fig. 2)
 - D. Bellcrank (155, 160, IPL Fig. 2)
 - E. Fitting (265, 270, IPL Fig. 2)
 - F. Bracket (255, 260, 275, 280, IPL Fig. 2)
 - G. Channel (55, 60, IPL Fig. 7)
 - H. Angle (75, 95, IPL Fig. 7)
 - I. Bracket (198, 199, IPL Fig. 3)
3. Perform a magnetic check on the following parts per 20-20-01.
 - A. Pin (405, IPL Fig. 1)
 - B. Pin receiver (575, IPL Fig. 1)
 - C. Retainer (704K, IPL Fig. 1)
 - D. Band (750, IPL Fig. 1)
 - E. Washer (790, IPL Fig. 1)
 - F. Bushing (800, IPL Fig. 1)
 - G. Link (825, IPL Fig. 1)
 - H. Rod end (65, IPL Fig. 2)
 - I. Target (205, IPL Fig. 2)
 - J. Fitting (205, IPL Fig. 3)

78-31-15

CHECK

01.1

Page 501

Mar 01/95

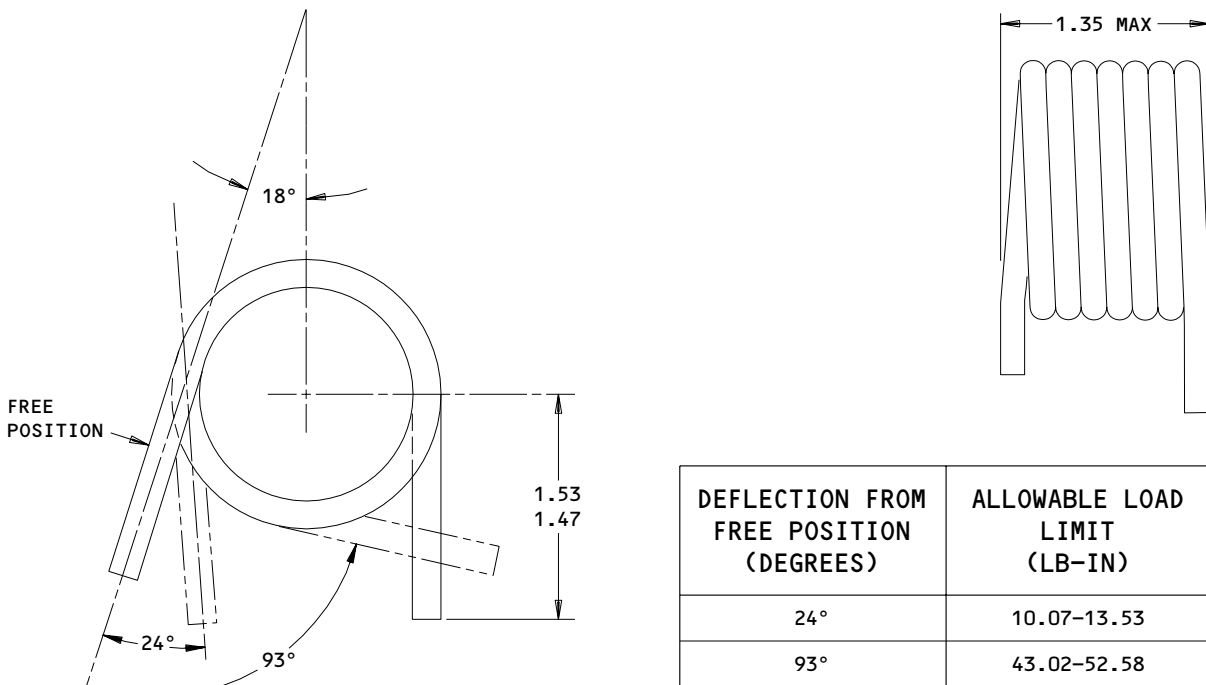
4. Visual Check

A. Check honeycomb and bonded parts for evidence of delamination, internal moisture, scratches, and contour defects.

- (1) Examine edges of panel carefully for cuts and abrasions. Damage to an edge member of a honeycomb panel easily causes delamination.
- (2) Examine areas suspected of containing moisture radiographically to determine extent of damage.

B. Refer to 767 Structural Repair Manual, Chapter 54, for allowable damage data.

5. Check spring (175, 180, IPL Fig. 2) per Fig. 501.



315T1724-1,-2
 Spring Check
 Figure 501

72276

78-31-15

REPAIR – GENERAL

NOTE: Refer to Structural Repair Manual, Chapter 54, for repair of structural components.

1. Content

A. Repair, refinish and replacement procedures, as applicable, are included in separate repair sections as follows:

<u>P/N</u>	<u>NAME</u>	<u>REPAIR</u>
315T1511	DRAG LINK	1-1
315T1529	LOWER FAIRING	2-1
315T1530	UPPER FAIRING	3-1
315T1604	DEACTIVATION PIN	4-1
315T1663	UPPER ATTACH FITTING	5-1
315T1722	BELLCRANK	6-1,6-2
315T1730	SUPPORT FITTING	7-1,7-2
315T3656	COVER	8-1
--	MISCELLANEOUS PARTS REFINISH	9-1

2. Standard Practices

A. Refer to the following standard practices, as applicable, for details of procedures in each individual repair.

- 20-10-06 Repair of Conductive Coatings
- 20-30-02 Stripping of Protective Finishes
- 20-41-01 Decoding Table for Boeing Finish Codes
- 20-41-02 Application of Chemical and Solvent Resistant Finishes
- 20-42-03 Hard Chromium Plating
- 20-50-03 Bearing and Bushing Replacement

3. Materials

NOTE: Equivalent substitutes may be used.

- A. Conductive Coating -- BMS 10-21, Type 1 (Ref 20-60-04)
- B. Enamel -- BMS 10-10, Type 2 (Ref 20-60-02)
- C. Enamel -- BMS 10-60, Type 2, Gloss (Ref 20-60-02)
- D. Enamel -- BMS 10-86, Type 1, White (Ref 20-60-02)
- E. Primer -- BMS 10-11, Type 1 (Ref 20-60-02)

- F. Primer -- BMS 10-79, Type 2 (Ref 20-60-02)
- G. Sealant -- BMS 5-26 (Ref 20-60-04)
- H. Sealant -- BMS 5-63 (Ref 20-60-04)
- I. Adhesive -- Type 94 (Ref 20-50-12)

4. Dimensioning Symbols

- A. Standard True Position Dimensioning Symbols used in applicable repair procedures are shown in Fig. 601.

78-31-15

REPAIR-GENERAL

01.1

Page 602

Mar 01/95

BOEING
COMPONENT
MAINTENANCE MANUAL

- STRAIGHTNESS
- ▭ FLATNESS
- ⊥ PERPENDICULARITY (OR SQUARENESS)
- // PARALLELISM
- ROUNDNESS
- ⊙ CYLINDRICITY
- ⌒ PROFILE OF A LINE
- △ PROFILE OF A SURFACE
- ◎ CONCENTRICITY
- ≡ SYMMETRY
- ∠ ANGULARITY
- ↗ RUNOUT
- ↗ TOTAL RUNOUT
- ⊔ COUNTERBORE OR SPOTFACE
- ∇ COUNTERSINK

- ⊕ THEORETICAL EXACT POSITION OF A FEATURE (TRUE POSITION)
- ∅ DIAMETER
- S ∅ SPHERICAL DIAMETER
- R RADIUS
- SR SPHERICAL RADIUS
- () REFERENCE
- BASIC A THEORETICALLY EXACT DIMENSION USED TO DESCRIBE SIZE, SHAPE OR LOCATION OF A FEATURE FROM WHICH PERMISSIBLE VARIATIONS ARE ESTABLISHED BY TOLERANCES ON OTHER DIMENSIONS OR NOTES.
- (BSC) OR
- DIM
- A- DATUM
- Ⓜ MAXIMUM MATERIAL CONDITION (MMC)
- Ⓛ LEAST MATERIAL CONDITION (LMC)
- Ⓢ REGARDLESS OF FEATURE SIZE (RFS)
- Ⓟ PROJECTED TOLERANCE ZONE
- FIM FULL INDICATOR MOVEMENT

EXAMPLES

<p>⊖ 0.002 STRAIGHT WITHIN 0.002</p> <p>⊥ 0.002 B PERPENDICULAR TO B WITHIN 0.002</p> <p>// 0.002 A PARALLEL TO A WITHIN 0.002</p> <p>○ 0.002 ROUND WITHIN 0.002</p> <p>⊙ 0.010 CYLINDRICAL SURFACE MUST LIE BETWEEN TWO CONCENTRIC CYLINDERS, ONE OF WHICH HAS A RADIUS 0.010 INCH GREATER THAN THE OTHER</p> <p>⌒ 0.006 A EACH LINE ELEMENT OF THE SURFACE AT ANY CROSS SECTION MUST LIE BETWEEN TWO PROFILE BOUNDARIES 0.006 INCH APART RELATIVE TO DATUM PLANE A</p> <p>▭ 0.020 A SURFACES MUST LIE WITHIN PARALLEL BOUNDARIES 0.02 INCH APART AND EQUALLY DISPOSED ABOUT TRUE PROFILE</p>	<p>◎ ∅ 0.0005 C CONCENTRIC TO C WITHIN 0.0005 DIAMETER</p> <p>≡ 0.010 A SYMMETRICAL WITH A WITHIN 0.010</p> <p>∠ 0.005 A ANGULAR TOLERANCE 0.005 WITH A</p> <p>⊕ ∅ 0.002 Ⓢ B LOCATED AT TRUE POSITION WITHIN 0.002 DIA RELATIVE TO DATUM B, REGARDLESS OF FEATURE SIZE</p> <p>⊥ ∅ 0.010 Ⓜ A 0.510 Ⓟ AXIS IS TOTALLY WITHIN A CYLINDER OF 0.010-INCH DIAMETER, PERPENDICULAR TO, AND EXTENDING 0.510-INCH ABOVE, DATUM A, MAXIMUM MATERIAL CONDITION</p> <p>2.000 THEORETICALLY EXACT DIMENSION IS 2.000</p> <p>OR 2.000 BSC</p> <p>0.020 A A 0.020</p>
--	--

NOTE: DATUM MAY APPEAR AT EITHER SIDE OF TOLERANCE FRAME

True Position Dimensioning Symbols
Figure 601

78-31-15

REPAIR-GENERAL

01.1 Page 603

Mar 01/95

DRAG LINK ASSEMBLY – REPAIR 1-1

315T1511-1

NOTE: Refer to REPAIR-GEN for list of applicable standard practices.

1. Bushing Replacement (Fig. 601)

- A. Remove bushings.
- B. Install new bushings using shrink fit method per 20-50-03.
- C. Check dimensions and machine as necessary.

2. Bearing Replacement (Fig. 601)

- A. Remove bearing.
- B. Locate bearing race slot as indicated in Fig. 601.
- C. Anvil swage bearing per 20-50-03 using Bearing Swaging Tool A20012-10.
- D. Deleted.

3. Drag Link Refinish

- A. Passivate drag link (825) all over (F-17.09) per 20-30-03. Material:
15-5 PH CRES, 180-200 KSI.

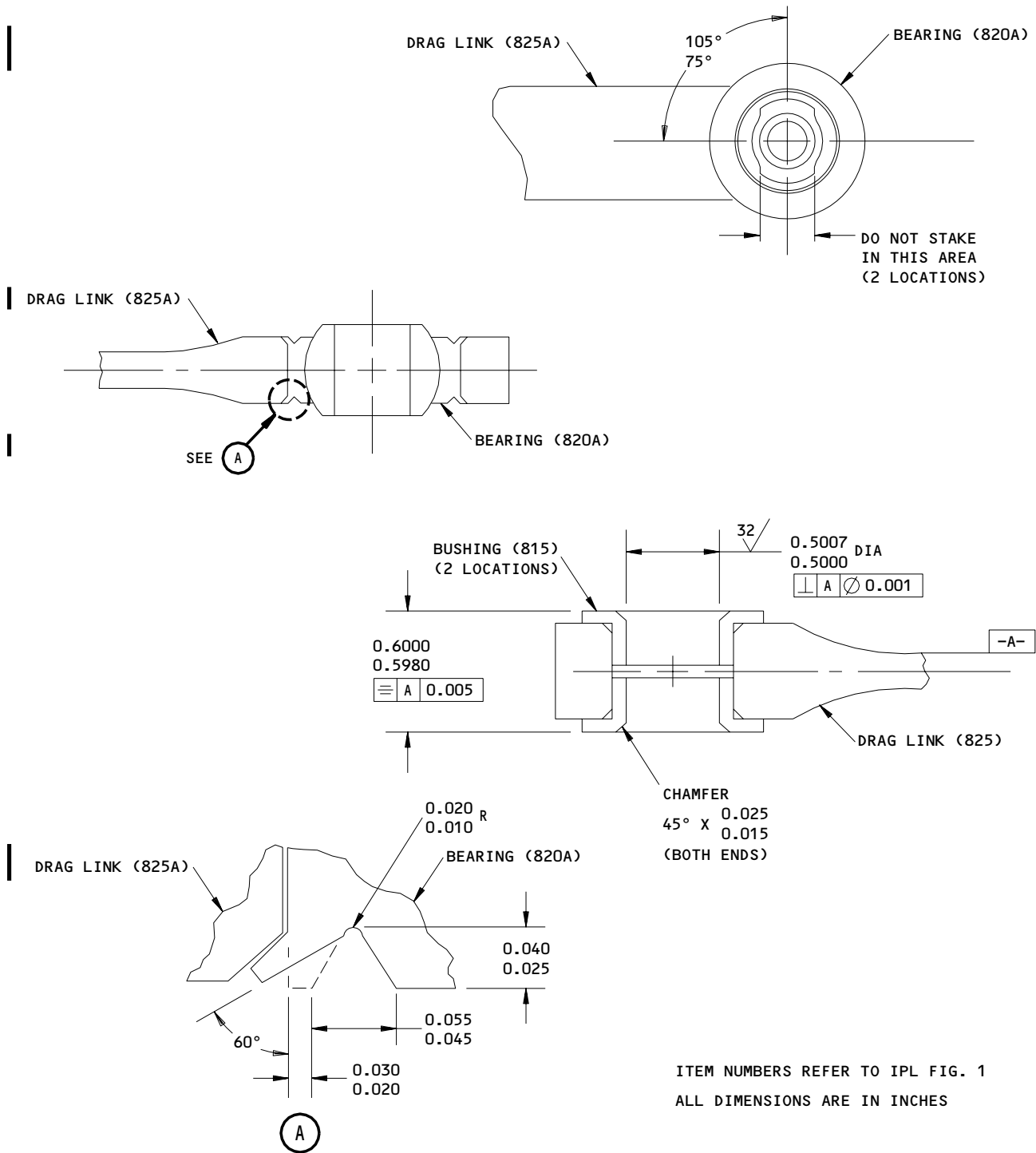
78-31-15

REPAIR 1-1

01.1

Page 601

Nov 01/05



315T1511-1

Bushing and Bearing Replacement
 Figure 601

78-31-15

REPAIR 1-1

01.1

Page 602

Nov 01/05

LOWER FAIRING ASSEMBLY - REPAIR 2-1

315T1529-9,-10

NOTE: Refer to REPAIR-GEN for list of applicable standard practices.

1. Clip Replacement (IPL Fig. 1)

- A. Drill out rivet (125) and remove clips (130, 135).
- B. Install new clips (130, 135) with rivets using BMS 5-26 sealant, Class B or C, on clip faying surfaces.

2. Bond Assembly Refinish

- A. Refer to Fig. 601 for Refinish instructions.

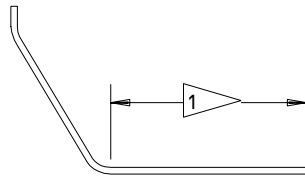
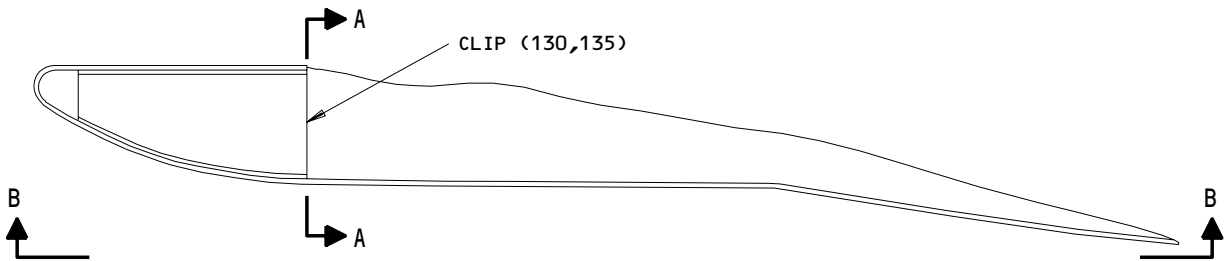
78-31-15

REPAIR 2-1

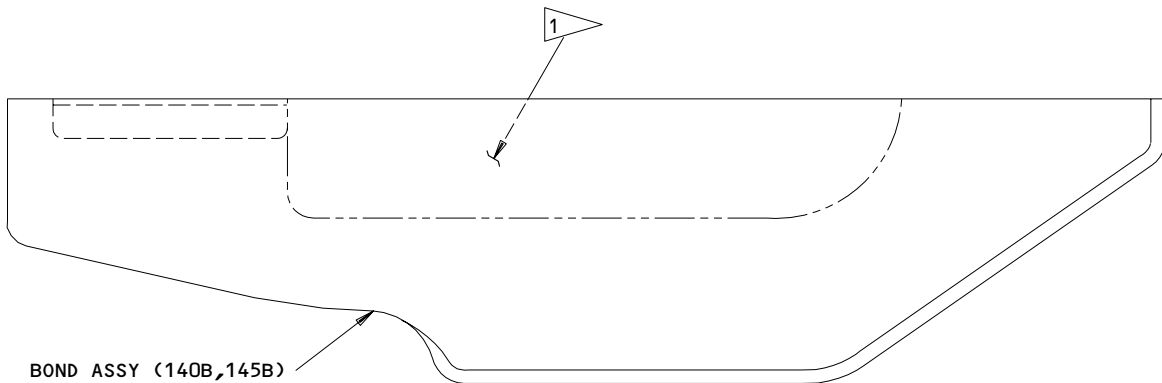
01.1

Page 601

Jul 10/85



A-A



B-B

REFINISH

BOND ASSY (140B,145B) -- ON EXTERIOR SURFACE
 APPLY BMS 10-21 CONDUCTIVE COATING (SRF-14.68)
 FOLLOWED BY ONE COAT BMS 10-79, TYPE 2,
 PRIMER (F-19.46) AND ONE COAT BMS 10-60,
 TYPE 2, GLOSS ENAMEL. APPLY NO FINISH ON
 INTERIOR EXCEPT ON AREAS INDICATED BY 1

ITEM NUMBERS REFER TO IPL FIG. 1

1 APPLY BMS 10-86, TYPE 1, WHITE ENAMEL TO
 SURFACE INDICATED

315T1529-9,-10
 Lower Fairing Assembly Refinish
 Figure 601

78-31-15

REPAIR 2-1

Page 602

Jul 01/89

01.1

UPPER FAIRING ASSEMBLY - REPAIR 3-1

315T1530-5,-6

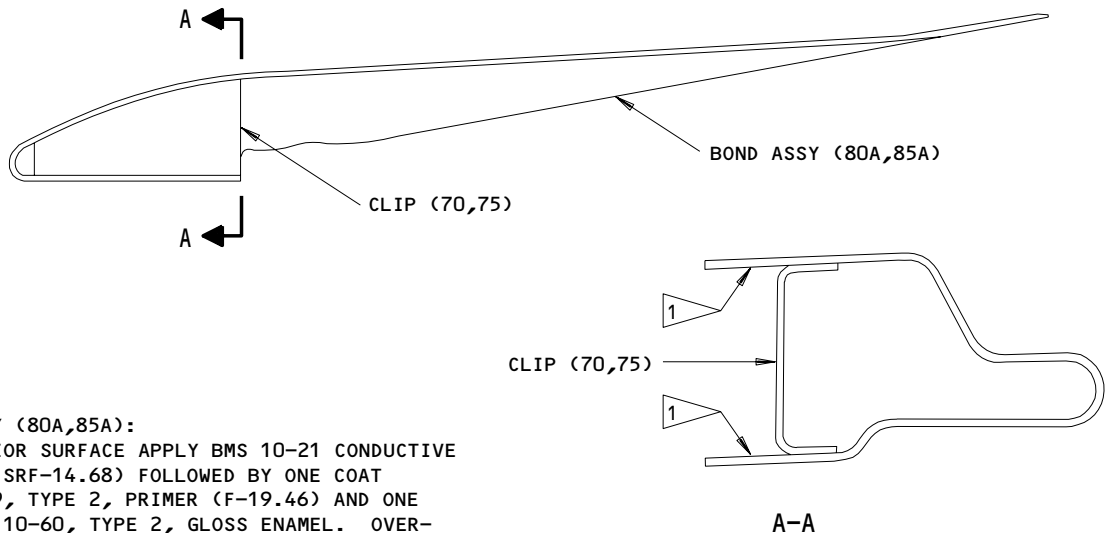
NOTE: Refer to REPAIR-GEN for list of applicable standard practices.

1. Clip Replacement (IPL Fig. 1)

- A. Drill out rivet (65) and remove clips (70, 75).
- B. Install new clips (70, 75) with rivets using BMS 5-26 sealant, Class B or C, on clip faying surfaces.

2. Bond Assembly Refinish

- A. Refer to Fig. 601 for Refinish instructions.



REFINISH

BOND ASSY (80A,85A):
 ON EXTERIOR SURFACE APPLY BMS 10-21 CONDUCTIVE COATING (SRF-14.68) FOLLOWED BY ONE COAT BMS 10-79, TYPE 2, PRIMER (F-19.46) AND ONE COAT BMS 10-60, TYPE 2, GLOSS ENAMEL. OVER-SPRAY ALLOWED. APPLY NO FINISH ON INTERIOR EXCEPT ON AREAS INDICATED BY 1

1 APPLY BMS 10-86, TYPE 1, WHITE ENAMEL TO SURFACE INDICATED

ITEM NUMBERS REFER TO IPL FIG. 1

315T1530-5,-6
Upper Fairing Assy Refinish
Figure 601

72612

78-31-15

REPAIR 3-1

01.1

Page 601

Jul 01/89

DEACTIVATION PIN – REPAIR 4-1

315T1604-1, -2

1. Plating Repair

NOTE: Repair consists of restoration of original finish. Refer to Refinish instructions Fig. 601 and to REPAIR-GEN for list of applicable standard practices.

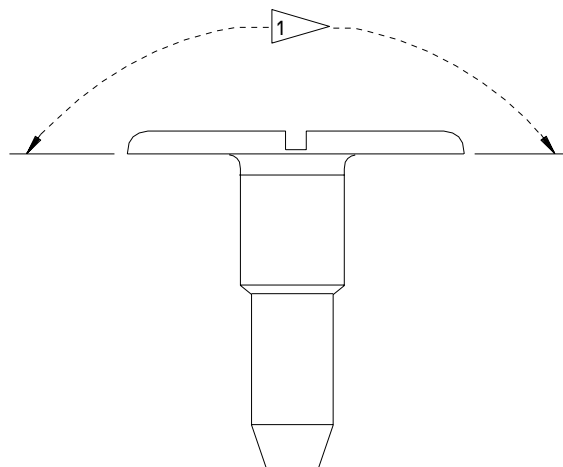
78-31-15

REPAIR 4-1

01.101

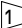
Page 601

Jul 01/04




315T1604-1 SHOWN
315T1604-2 SIMILAR

REFINISH

315T1604-1:
PASSIVATE (F-17.09) ALL OVER. APPLY
BMS 10-11, TYPE 1, PRIMER (F-20.02)
FOLLOWED BY BMS 10-11, TYPE 2, ENAMEL
(SRF-14.905-101) TO AREA INDICATED BY .

MATERIAL: 15-5 PH CRES 180-200 KSI

315T1604-2:
PASSIVATE (F-17.09) ALL OVER. APPLY
BMS 10-79, TYPE 2, PRIMER (F-19.46)
FOLLOWED BY BMS 10-11, TYPE 2, ENAMEL
(SRF-14.905-101) TO AREA INDICATED BY .

 APPLY PRIMER AND ENAMEL TO THIS AREA ONLY

315T1604-1,-2
Deactivation Pin Repair
Figure 601

78-31-15

REPAIR 4-1

Page 602

Jul 01/04

01.1

UPPER ATTACH FITTING - REPAIR 5-1

315T1663-1,-2,-5,-6

NOTE: Refer to REPAIR-GEN for list of applicable standard practices.

1. Bushing Replacement (Fig. 601)

- A. Remove bushing (650).
- B. Install new bushing using shrink fit method per 20-50-03.
- C. Fillet seal bushing using BMS 5-26 sealant.

2. Fitting Refinish

- A. Refer to Fig. 601 for Refinish instructions.

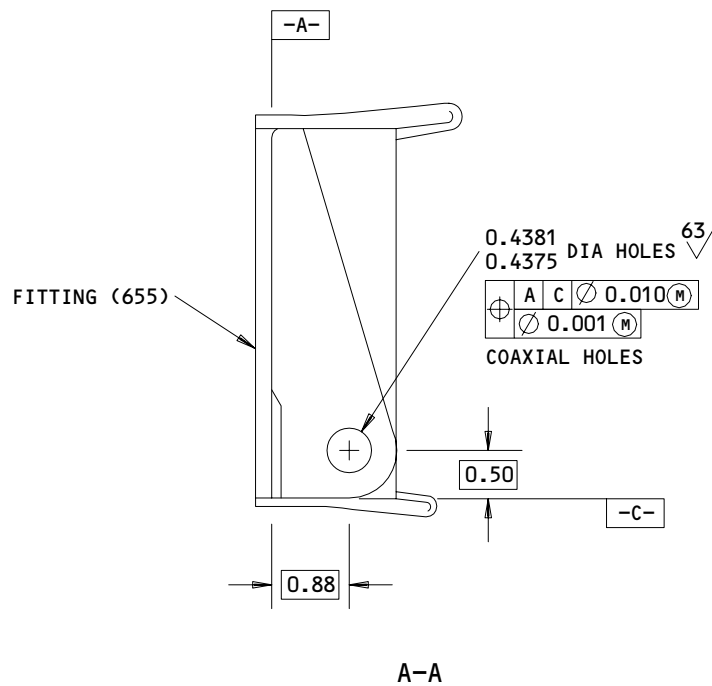
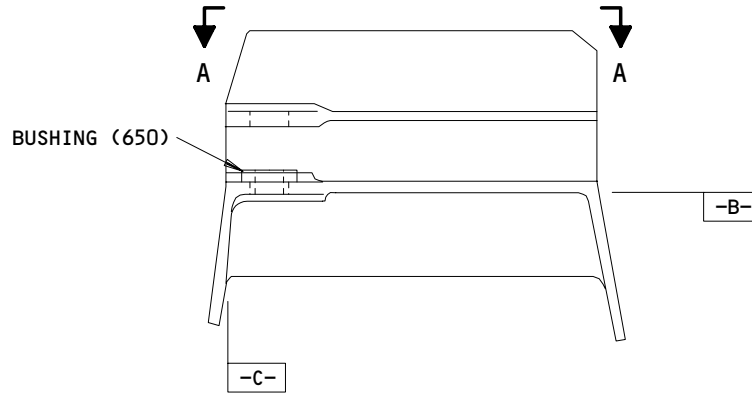
78-31-15

REPAIR 5-1

01.1

Page 601

Jul 01/89



REFINISH

FITTING (655):
 CHROMIC ACID ANODIZE AND APPLY
 ONE COAT OF BMS 10-11, TYPE 1,
 PRIMER EXCEPT OMIT PRIMER FROM
 BUSHING HOLES

ALL DIMENSIONS ARE IN INCHES
 ITEM NUMBERS REFER TO IPL FIG. 1
 315T1663-5 SHOWN

315T1663-1,-2,-5,-6
 Upper Attach Fitting Repair
 Figure 601

78-31-15

REPAIR 5-1

Page 602

Jul 01/89

01.1

BELLCRANK ASSEMBLY - REPAIR 6-1

315T1722-1,-2, -7, -8, -9, 10

NOTE: Refer to REPAIR-GEN for list of applicable standards.

1. Bushing Replacement (Fig. 601)

- | A. Remove bushings (115, 120, 125) and bearing (150).
- | B. Install bushings (115, 120, 125) using shrink fit method per 20-50-03.
- | C. Install bearing assembly (150) as shown in Fig. 601 and roller swage per 20-50-03.
- D. Fillet seal bushings using BMS 5-63 sealant.

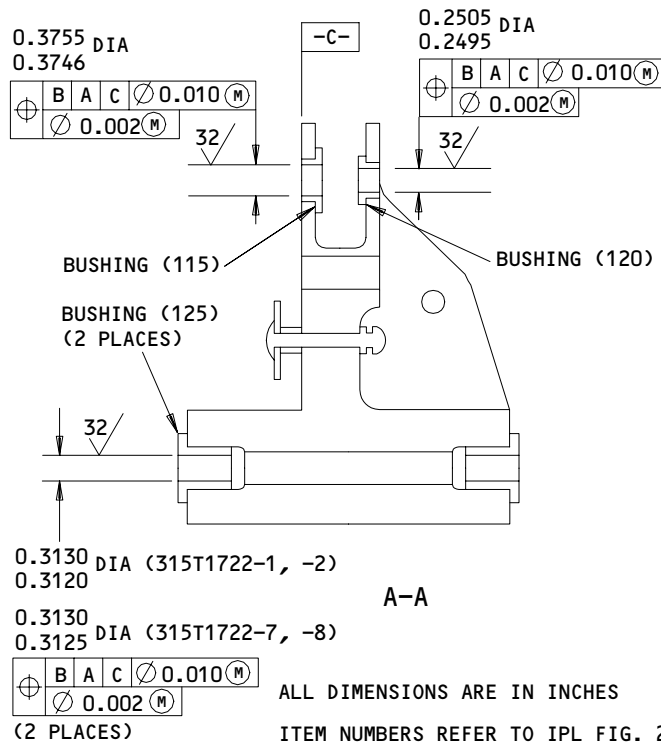
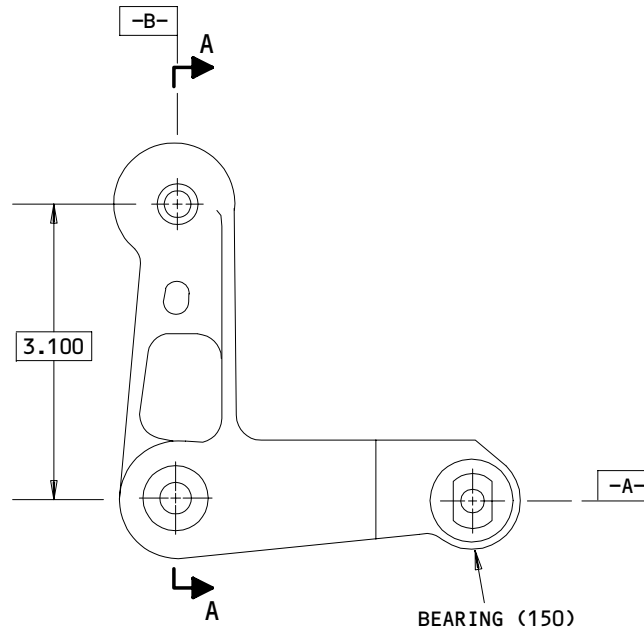
78-31-15

REPAIR 6-1

01.1

Page 601

Jul 01/89



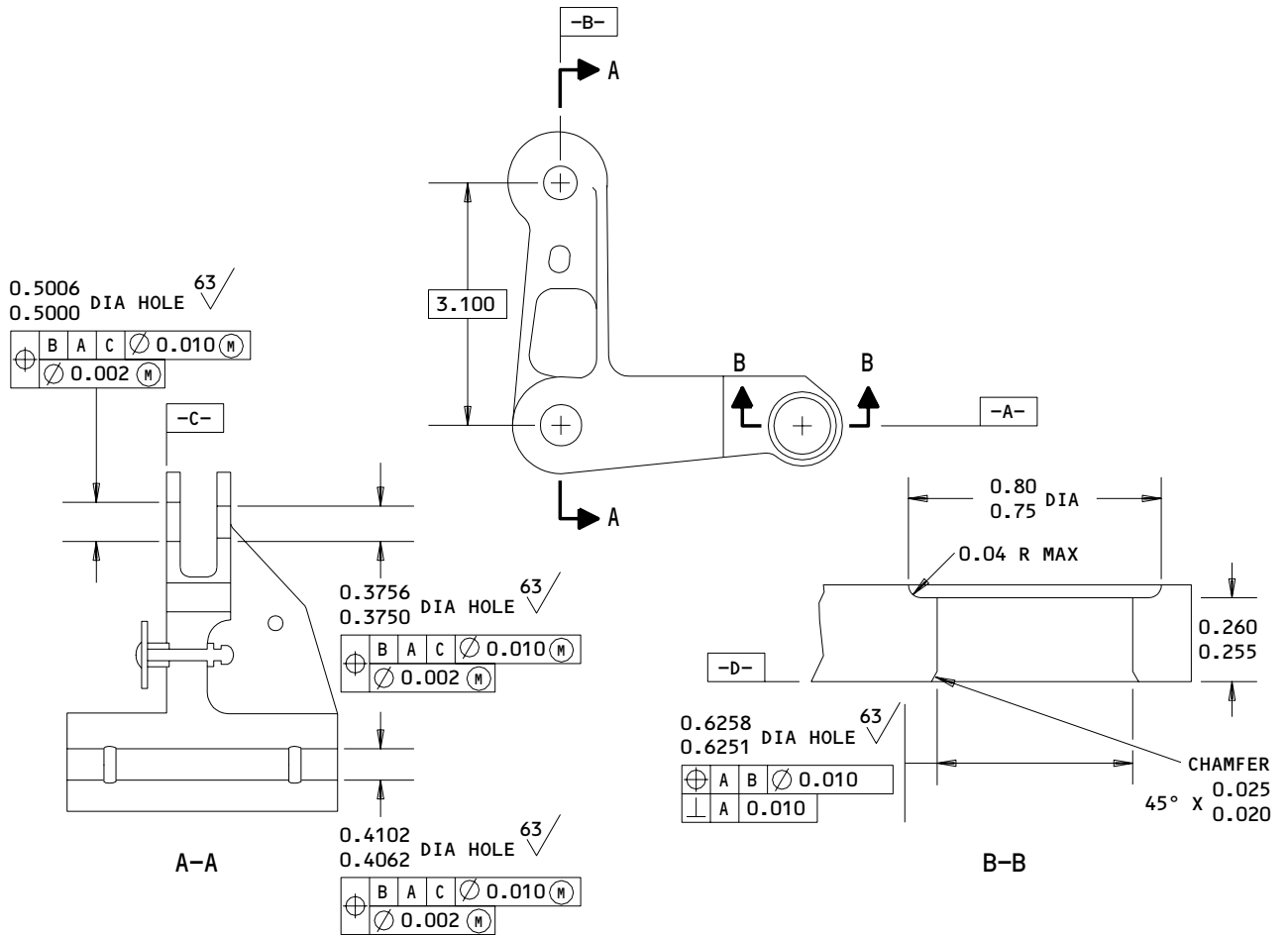
315T1722-1,-2,-7,-8,-9,-10
 Bellcrank Assy Bushing Replacement
 Figure 601

BELLCRANK - REPAIR 6-2

315T1722-3,-4, -11, -12

1. Plating Repair

NOTE: Repair consists of restoration of original finish. Refer to Refinish instructions Fig. 601 and to REPAIR-GEN for list of applicable standard practices.



REFINISH

CHROMIC OR SULFURIC ACID ANODIZE (F-17.05)
AND APPLY ONE COAT OF BMS 10-11, TYPE 1,
PRIMER (F-20.02) EXCEPT OMIT PRIMER FROM
HOLES

MATERIAL: AL ALLOY
ALL DIMENSIONS ARE IN INCHES

315T1722-3,-4,-11,-12
Bellcrank Repair
Figure 601

78-31-15

REPAIR 6-2

01.1

Page 601

Jul 01/89

BELLCRANK SUPPORT FITTING ASSEMBLY – REPAIR 7-1

315T1730-1, -7, -8, -9, -11, -12

NOTE: Refer to REPAIR-GEN for list of applicable standard practices.

1. Bushing Replacement (Fig. 601)

- | A. Remove bushings (240, 243, 245).
- B. Install bushings using shrink fit method per 20-50-03.
- C. Machine bushings to dimensions shown.
- D. Fillet seal bushings using BMS 5-26 sealant.

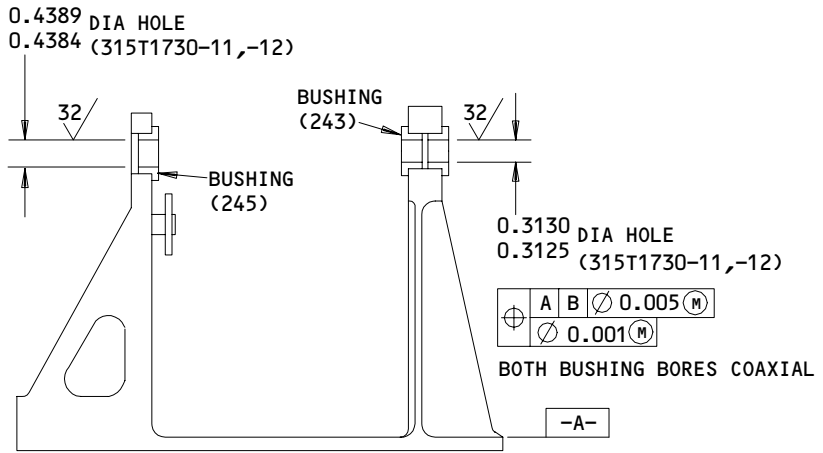
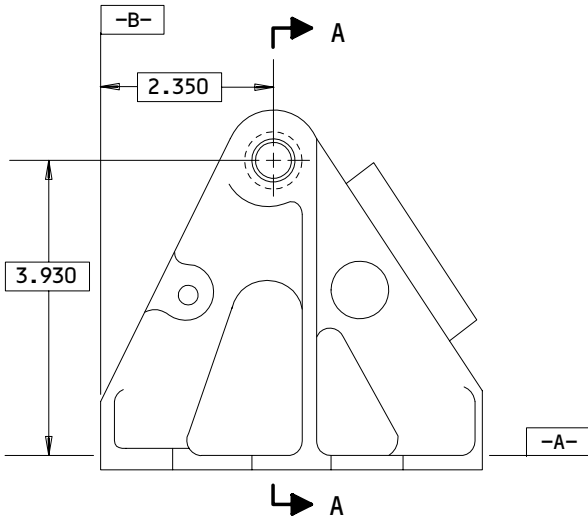
78-31-15

REPAIR 7-1

01.1

Page 601

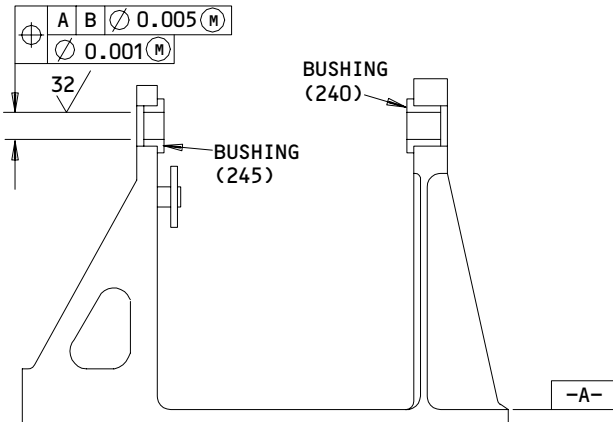
Jul 01/89



315T1730-11,-12
 A-A

0.4380 DIA HOLE 1
 0.4370 (315T1730-1,-7)
 (2 PLACES)

0.4380 DIA HOLE
 0.4375 (315T1730-8,-9)
 (2 PLACES)



315T1730-1,-7,-8,-9
 A-A

1 FOR SUPPORT FITTING ASSEMBLIES
 315T1730-1,-7,-8,-9 USING BUSHINGS
 BACB28W7B038 AND BACB28W7B018,
 REAM INSIDE DIAMETERS
 TO THIS DIMENSION AS
 REQUIRED BY SB 78-0022.

ALL DIMENSIONS ARE IN INCHES
 ITEM NUMBERS REFER TO IPL FIG. 2

315T1730-1,-7,-8,-9,-11,-12
 Bushing Replacement
 Figure 601

78-31-15

REPAIR 7-1

01.1

Page 602

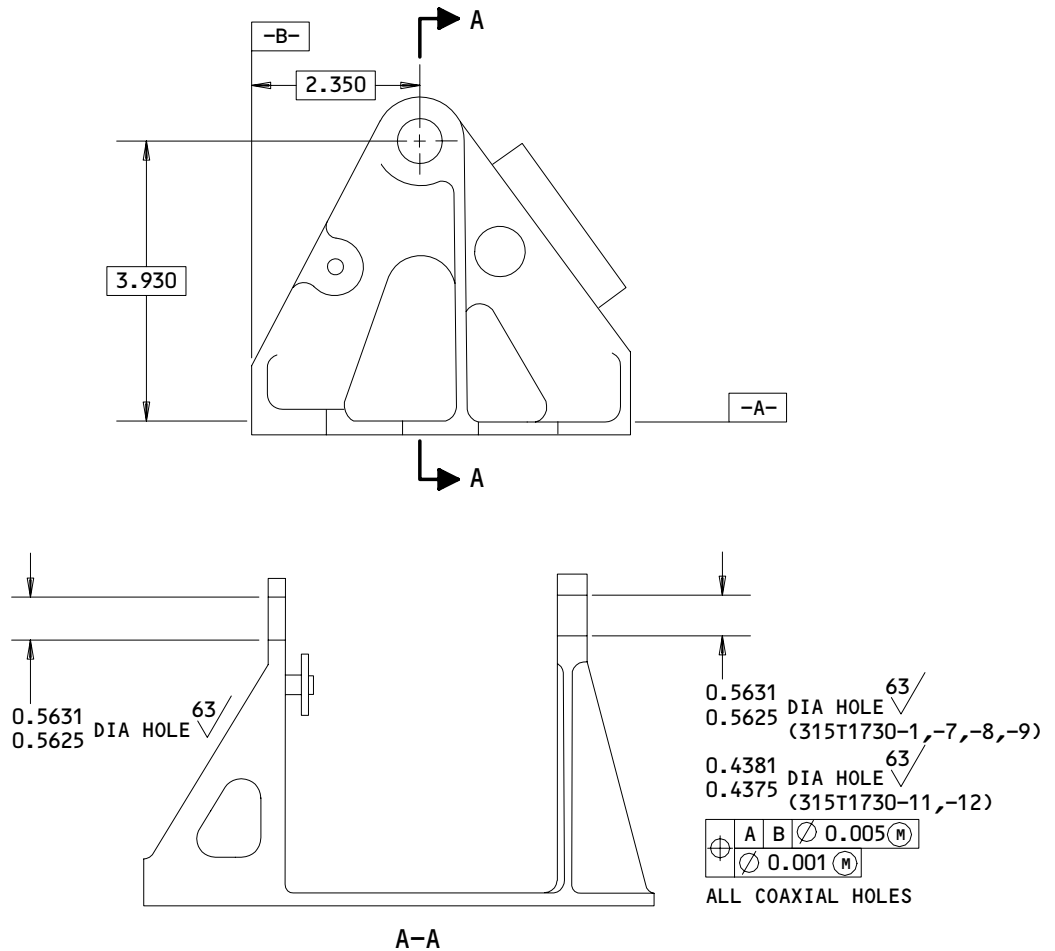
Jul 01/89

BELLCRANK SUPPORT FITTING - REPAIR 7-2

315T1730-3,-4, -13, -14

1. Plating

NOTE: Repair consists of restoration of original finish. Refer to Refinish instructions Fig. 601 and to REPAIR-GEN for list of applicable standard practices.



REFINISH

CHROMIC OR SULFURIC ACID ANODIZE (F-17.05)
AND APPLY ONE COAT OF BMS 10-11, TYPE 1,
PRIMER (F-20.02) EXCEPT OMIT PRIMER IN HOLES

MATERIAL: AL ALLOY

ALL DIMENSIONS ARE IN INCHES

315T1730-3,-4,-13,-14

Fitting Repair
Figure 601

72627

78-31-15

REPAIR 7-2

01.1

Page 601

Oct 01/87

COVER ASSEMBLY – REPAIR 8-1

315T3656-19

NOTE: Refer to REPAIR-GEN for list of applicable standard practices.

1. Cover Replacement (Fig. 601)

- A. Remove cover (50, IPL Fig. 5) from cover (45, IPL Fig. 5).
- B. Bond new cover (50) in location shown using type 94 adhesive.

2. Refinish

- A. Covers (45, 50, IPL Fig. 5) -- Chemically treat and apply one coat of BMS 10-11, type 1 primer. Material: Al alloy.

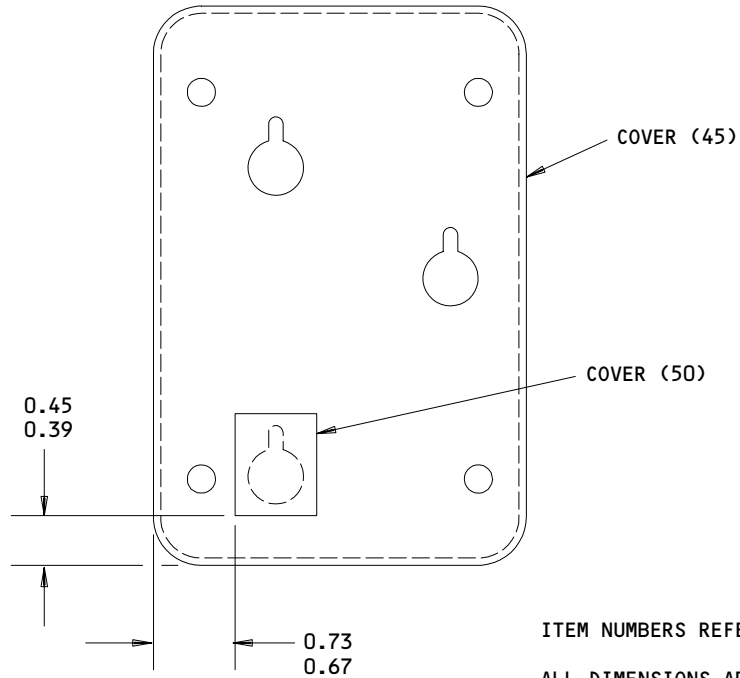
78-31-15

REPAIR 8-1

01.1

Page 601

Mar 01/03



ITEM NUMBERS REFER TO IPL FIG. 5
ALL DIMENSIONS ARE IN INCHES

315T3656-19
Cover Assembly Repair
Figure 601

133424

78-31-15

REPAIR 8-1

01.101

Page 602

Mar 01/03

MISCELLANEOUS PARTS REFINISH – REPAIR 9-1

1. Repair of parts listed in Fig. 601 consists of restoration of the original finish.

IPL FIG. & ITEM	MATERIAL	FINISH
<u>Fig. 1</u>		
Clip (70,75,130,135)	Al alloy	Chemically treat and apply one coat BMS 10-11, type 1 primer (F-18.06).
Bracket (285,290)	Al alloy	Chemically treat and apply one coat BMS 10-11, type 1 primer (F-18.06).
Target (305)	15-5PH CRES, 150-170 KSI	Cadmium plate and apply one coat of BMS 10-11, type 1 primer (F-16.01).
Stop (380,385,395,400)	Al alloy	Chromic acid anodize and apply one coat of BMS 10-11, type 1 primer (F-18.13).
Pin Receiver (575)	15-5PH CRES, 140-160 KSI	Cadmium plate and apply one coat of BMS 10-11, type 1 primer (F-16.01).
Fitting (610,615)	Al alloy	Chromic acid anodize and apply one coat of BMS 10-11, type 1 primer (F-18.13).
Retainer (704K)	17-7PH CRES, 180-200 KSI	Cadmium plate and apply one coat of BMS 10-11, type 1 primer (F-16.01).
Fitting (715)	15-5PH CRES, 180-200 KSI	Cadmium plate and apply one coat of BMS 10-11, type 1 primer (F-16.01) except omit plating and primer in holes.

Refinish Details
Figure 601 (Sheet 1)

78-31-15

REPAIR 9-1

01.1

Page 601

Jul 01/89

IPL FIG. & ITEM	MATERIAL	FINISH
<u>Fig. 1</u>		
Fitting (740)	15-5PH CRES, 180-200 KSI	Cadmium plate and apply one coat of BMS 10-11, type 1 primer (F-16.01) except omit primer in holes and slots.
Band (750)	15-5PH CRES, 180-200 KSI	Passivate (F-17.09)
Washer (790)	15-5PH CRES, 150-170 KSI	Cadmium plate and apply one coat of BMS 10-11, type 1 primer (F-16.01).
Bushing (800)	15-5PH CRES, 150-170 KSI	Chromium plate (F-15.03) 0.001-0.002 inch thick on OD only.
<u>Fig. 2</u>		
Clevis (60)	Al alloy	Chromic acid anodize and apply one coat of BMS 10-11, type 1 primer (F-18.13).
Rod end (65)	15-5PH CRES, 150-170 KSI	Cadmium plate and apply one coat of BMS 10-11, type 1 primer (F-16.01).
Tube (80)	Al alloy	Chemically treat and apply one coat of BMS 10-11, type 1 primer (F-18.07).
Target (205)	15-5PH CRES, 150-170 KSI	Cadmium plate and apply one coat of BMS 10-11, type 1 primer (F-16.01).

Refinish Details
Figure 601 (Sheet 2)

78-31-15

REPAIR 9-1

01.1

Page 602

Jul 10/85

IPL FIG. & ITEM	MATERIAL	FINISH
Bracket (255,260)	Al alloy	Chromic acid anodize and apply one coat of BMS 10-11, type 1 primer (F-18.13).
Bracket (275,280)	Al alloy	Chromic or sulphuric acid anodize (F-17.05) and apply one coat of BMS 10-11, type 1 primer (F-20.02).
<u>Fig. 3</u>		
Channel (50,55,70,75)	Al alloy	Chromic acid anodize (F-17.04) and apply two coats BMS 10-11, type 1 primer (F-20.03).
Fitting (205)	15-5PH CRES, 150-170 KSI	Cadmium plate and apply one coat of BMS 10-11, type 1 primer (F-16.01) except omit primer on pin.
<u>Fig. 7</u>		
Retainer (40)	15-5PH CRES, 150-160 KSI	Cadmium plate and apply one coat of BMS 10-11, type 1 primer (F-16.01), except omit primer from hole for insert.
Channel (55,60), Angle (75,95)	Al alloy	Chemically treat and apply one coat of BMS 10-11, type 1 primer (F-18.06).
<u>Fig. 9</u>		
Retainer (25)	304 CRES	Passivate (F-17.09).

Refinish Details
Figure 601 (Sheet 3)

78-31-15

REPAIR 9-1

01.1

Page 603

Jul 01/89

ASSEMBLY

1. Equipment

NOTE: Equivalent substitutes may be used.

A. Support Stand -- A78011-70

B. Rig Pin -- MS20392-3C or 0.246-0.248 inch diameter rod, 4 inches Long

2. Materials

NOTE: Equivalent substitutes may be used.

A. Hydraulic Fluid -- BMS 3-11E, Type 4 (Ref 20-60-03)

B. Primer -- BMS 10-11, Type 1 (Ref 20-60-02)

C. Putty -- BMS 8-45 (Ref 20-60-04)

D. Sealant -- BMS 5-26 (Ref 20-60-04)

E. Sealant -- BMS 5-63 (Ref 20-60-04)

3. Assembly (IPL Fig. 1)

NOTE: Fan duct cowl and thrust reverser assembly should be supported in a support fixture to facilitate buildup and checkout.

A. Install stop assemblies (355, 395) using bolts (365, 390). If necessary, install nutplates (375) using rivets (370). Install with wet BMS 10-11 primer, except omit primer from threads.

B. Install thrust reverser sleeve (865A, 870A) on fan duct cowl (876 thru 891).

C. Install link assemblies (810) between blocker doors and cowl assembly using bolts (755A, 785), washers (760, 765, 790, 795), bushings (775, 800), nuts (780, 805), and cotter pin (806).

D. Install pin receiver (575) in attach fitting (610, 615) using bolt (555), washers (560), shims (570), and nut (565). Use shims (570) on both sides of receiver (575) with maximum gap, on one side, of 0.005 inch after shimming.

78-31-15

ASSEMBLY

01.1

Page 701

Mar 01/03

- E. Install hold-open rod (600) in attach fitting assembly (620, 625) with bolt (580), bushing (595), washer (585), and nut (590).
- F. Install hinge fitting (740) and hook (745) on band (750) using bolts (725), washers (730), and collars (735).
- G. If reworked hold-open rod is to be installed (IPL Fig. 9), ensure clamps (40) are spaced to allow pin retainer (25) to extend approximately 0.15 inch beyond clamps at both ends.
- H. Attach hinge fitting (740) end of latch band assembly to attach fitting (715) using bolt (704Q), washers (704V), and nuts (705A).
- I. Attach latch band assembly (720) to fan duct cowl using bolts (704), washers (704E), and retainers (704K). Adjust latch tee-bolt (745) so that closing force is 74-80 pounds.
- J. Make necessary wire connections between switches (25, 30, 35, IPL Fig. 5) and connector (80, IPL Fig. 5) (Ref Fig. 701).
- K. Install switches (25, 30, 35, IPL Fig. 5) and switch guards (10, 15, IPL Fig. 5) on covers (45, 55, 60, IPL Fig. 5) (Ref Fig. 701, 703).
- L. Insert deactivation pin (405) in storage hole in switch box.
- M. Assemble deactivation pin stowage bracket installation (IPL Fig. 7).
 - (1) Attach retainer assembly (20) to channels (55, 60) with bolts (25) and collars (30).
 - (2) Attach angles (75, 95) to channels (55, 60) with bolts (45) and collars (50).
 - (3) Attach angles (75, 95) to fan duct cowl with bolts (65, 85) and collars (70, 90).
 - (4) Attach streamer assembly (20, IPL Fig. 8) to ground maintenance deactivation pin using items (25 thru 40, IPL Fig. 8). Use washer under bolthead and spacer under washer.
- N. Apply decals (85 thru 130, IPL Fig. 5) to switch boxes, as required, in locations shown in Fig. 702.
- O. Assemble interlock installation (IPL Fig. 2).
 - (1) Install bolt (220), washer (230), spacer (225), and collar (235) for spring support.
 - (2) Attach bracket (255, 260) to support fitting (265, 270) using rivets (250).

78-31-15

ASSEMBLY
Page 702
Jul 01/89

01.1

- (3) Install bolt (130), washer (140), spacer (135), and collar (145) on bellcrank (155, 160).
 - (4) Slide spring (175) over bellcrank (155, 160) and install both on support fitting (265, 270) using bolt (95), washers (100, 105), bushings (165, 170), and nut (110). Apply tamperproof putty around bolt threads protruding from nut.
 - (5) If necessary, attach tube (80) to clevis (60) and to rod end (65) using rivets (55).
 - (6) Apply decals (310 thru 350, IPL Fig. 1) as necessary.
- P. Assemble opening actuator tubing installation (IPL Fig. 6).
- (1) Attach tube assemblies (100 thru 115) and clampshells (45) with screws (10, 25), washers (15, 30), and nuts (20, 35).
 - (2) Connect tube assembly (100) to tube assembly (110) and tube assembly (105) to tube assembly (115) using unions (80), sleeve (120), washer (75), and nuts (70, 125).
 - (3) Attach manifold assembly (50) to fan duct cowl with bolts (55), washers (60), and nuts (65).
 - (4) Connect tube assemblies (110, 115) to manifold assembly (50) using union (85), packing (90), sleeve (120), and nut (125).
 - (5) Connect hose assembly (95) to upper end of tube assemblies (100, 105) with union (80), washer (75), sleeve (120) and nuts (70, 125).
- Q. Install actuators and hydraulic tubing (IPL Fig. 3).
- (1) Position thrust reverser sleeve so that sleeve seal contacts the cowl assy.
 - (2) Check that actuators (230, 235) are in the fully retracted position. The aluminum collar on the rod end of the actuators should be within 0.010-0.018 inch of the actuator cylinder.
 - (3) Align actuators so that hydraulic ports are on the side of actuator that is closest to the engine centerline.
 - (4) Attach actuator rod end to the thrust reverser sleeve fitting with bolt (245), bushings (260), washers (250), and nut (255). Tighten nut to 20 pound-inches, then continue to tighten to next castellation and insert cotter pin (240). After cotter pin is inserted, apply approximately 0.06 inch of BMS 5-63 sealant over end of bolt, castellated nut, and fully covering cotter pin.

- (5) For locking actuator (230D, 230E, 235) only:
 - (a) Remove gage bar from actuator.
 - (b) Rotate actuator lock lever in a clockwise direction to release lock.
 - (c) Engage trip lever to keep actuator unlocked while aligning gimbal.

CAUTION: DO NOT DAMAGE SPLINES WITH DRIVE KEY.

- (6) Insert a 3/16-inch drive key in the spline hole of the actuators.
- (7) Align actuator (230, 235) gimbal with attach points using drive key.
- (8) Insert retainer fitting assembly (205) pins into actuator gimbals.
- (9) Measure gap between gimbal and attachment fittings.
- (10) Remove pins (215) and insert shims (225) to fill measured gap. Shims must be equal on both sides. Maximum allowable gap on one side of gimbal, after shimmming, is 0.005 inch.
- (11) Reinstall pins (215) and secure with bolts (210).
- (12) Install cap assembly (190) on upper nonlocking actuator (230).
- (13) Install cap assembly (195) and manual drive adapter (200) or install sync lock assembly (203), clamp (196), gasket (197) and bracket (198) with bolt (201) and washer (202) on lower nonlocking actuator (230).
- (14) Tighten band clamp nut to 30–35 pound-inches.

78-31-15

ASSEMBLY
Page 704
Mar 01/95

01.1

- (15) Tighten sync lock B-nut to 855-945 pound-inches, then tighten bolt (201).
- (16) Install dust covers on any open ports on actuators (230, 235).
- (17) Install hose assemblies (180, 185) with reducer (100), washer (105), and nut (110).
- (18) Install tube assemblies (104, 117, 125 thru 150) using bolts (10, 15, 20), spacers (35, 40), clamp shells (47, 49), fairleads (60, 65, 80 thru 95), channels (50, 55, 70, 75), washers (25, 30, 108), nuts (40, 45, 109), P-clamp (106) and screw (107).
- (19) Check and tighten all hose and tube assembly connections.

R. Install sensors (IPL Fig. 1)

- (1) Install deploy sensor and nipple using washer (170) and nut (165) on interlock support fitting (210, IPL Fig. 2).
- (2) Install target (305) with bolt (265), washers (270, 295, 300), and nut (275).
- (3) If necessary, attach bracket (285) to bracket (290) with rivets (280).
- (4) Install auto-restow sensor (200) on bracket assembly (260) using bolts (185), washers (190), and nuts (195).
- (5) Install conduit (250, 255) using clamps (245). Attach clamps with bolts (210, 225), washers (215, 230), and nuts (220).

S. Install wire bundles (IPL Fig. 4) and make appropriate connections to sensors.

T. Install synchronous shaft (IPL Fig. 3)

- (1) Manually disable sync lock assembly (203).
- (2) Install flex shaft (160) in tube assembly (155).
- (3) Slide end fitting back on tube assembly (155) to expose ends of flex shaft.
- (4) Loosen hydraulic line supports. See step N.(16) above.
- (5) Position upper synchronous tube assembly (155) between actuators (230, 235) and install into loosened hydraulic line supports. Do not tighten supports.

78-31-15

ASSEMBLY
Page 705
Mar 01/95

01.1

- (6) Insert flex shaft (160) into actuators and tighten tube assembly nut 1 to 2 threads.
 - (7) Tighten hydraulic line supports.
 - (8) Loosen tube assembly nuts to ensure flex shaft is engaged in actuators at both ends. Retighten tube assembly nuts.
 - (9) Repeat steps (4) thru (7) above for lower flex shaft (160) and tube assembly (155).
- U. Manually rotate flex shaft and cycle thrust reverser sleeve to the fully deployed position. Ensure that the sleeve operates smoothly and without interference.
- V. Rig feedback interlock system (IPL Fig. 2).

CAUTION: CHECK ENTIRE ASSEMBLY TO ENSURE THAT THERE ARE NO OBSTRUCTIONS WHICH MAY PREVENT MOVEMENT OF SLEEVE ASSY TO A RETRACTED POSITION. APPROXIMATE MOTION IS 0.5 INCH. HYDRAULIC SUPPLY IS TO BE CONNECTED FOR DEPLOY AND RETRACT.

- (1) Connect hose assy (185, IPL Fig.3) to a hydraulic supply using BMS 3-11E, type 4, hydraulic fluid at 1800 to 3000 PSI.

CAUTION: THE FEEDBACK MECHANISM ON THE LOCKING ACTUATOR (230D, 230E, 235, IPL FIG. 3) MUST BE SYNCHRONIZED WITH THE ACTUATOR PISTON ROD OR INTERNAL DAMAGE TO THE ACTUATOR WILL RESULT.

- (2) Apply hydraulic pressure and verify proper stow position of actuator feedback lever as shown in Fig. 706. If the feedback requirement cannot be met, refer to Actuator Assembly CMM 78-31-01.
- (3) Remove hydraulic pressure.
- (4) Insert rig pin through fitting assy (265) and bellcrank assy (85).
- (5) Attach clevis end of link assembly (10) to bellcrank (85) using bolt (20), washers (35, 40), bolt retainer (25), and nut (45). Install bolt (20) with bolthead toward nacelle centerline. Install clevis with bushed side toward nacelle centerline. Apply tamperproof putty to bolt threads protruding from nut. Bend tab of bolt retainer over head of bolt and tube as shown in Fig. 704.
- (6) Adjust rod end bearing on link assembly (10) as required to connect the link assembly to the fully retracted actuator (235, IPL Fig. 3). Tighten jamnut and lockwire.

78-31-15

ASSEMBLY
Page 706
Mar 01/95

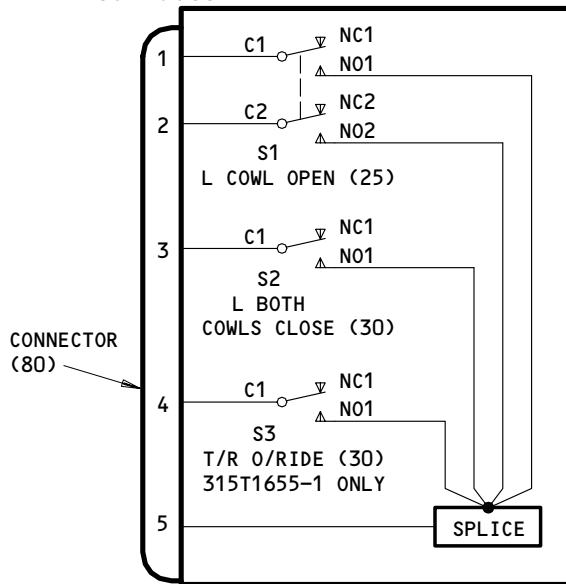
01.1

- (7) Remove rig pin.
- (8) Install target (205) on bellcrank (155, 160) using bolt (185), washer (190, 200) and nut (195).
- W. Apply hydraulic pressure and cycle thrust reverser to fully deployed position.
- X. With sleeve at fully deployed position, adjust number of washers (200, IPL Fig. 2) until measured distance between target (205, IPL Fig. 2) and deploy sensor is 0.030 to 0.060 inches (Fig. 704).
- Y. Manually rotate flex shaft to cycle the thrust reverser sleeve to the stowed position. The manual override clutch may ratched before the sleeve is fully retracted. As the sleeve is retracted, check that stroke of bellcrank (155, IPL Fig. 2) is 3.45 to 3.55 inches.
- Z. Apply hydraulic pressure and retract sleeve to fully stowed position.
- AA. Adjust shims BAC540R10D40F so that deflection of bumper 315T3563 on sleeve (Ref 78-31-25) is 0.062 inch (Fig. 705).
- AB. Adjust washers (295, 300, IPL Fig. 1) until gap between target (305, IPL Fig. 1) and restow sensor (200, IPL Fig. 2) at fully stowed position is 0.08 to 0.12 inch (Fig. 704). An alternate method to using a feeler gage to determine gap between target and restow sensor is to use soft modeling clay as follows:
 - (1) Position clay in shape of cone with approximate diameter of 1/4 inch on target surface.
 - (2) Apply petroleum jelly to surface of sensor.
 - (3) Apply hydraulic pressure and retract sleeve to fully stowed position.

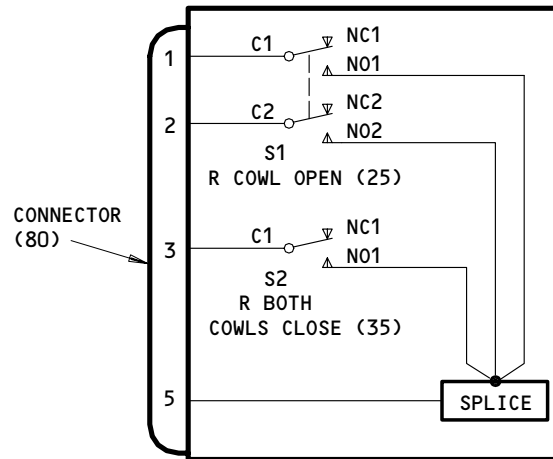
- (4) Cycle sleeve to fully deployed position.
- (5) Measure clay thickness on target to determine gap.

AC. Re-engage sync lock assembly (203).

AD. Install fairing assemblies (30A, 90B) with bolts (45, 47, 100, 105, 107, 120) and shims (77, 78, 122, 123). Use BMS 5-26 sealant on faying surfaces.



LH COWL CONTROL
 315T1655-1 SHOWN
 315T1655-3



RH COWL CONTROL
 315T1655-2

ITEM NUMBERS REFER TO IPL FIG. 5

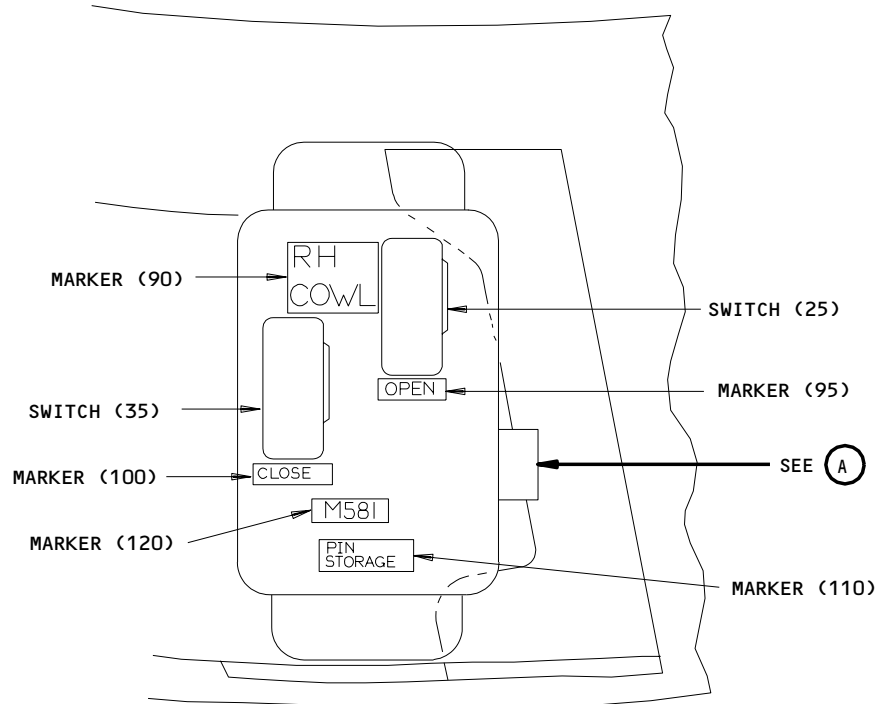
Switch Connections
 Figure 701

70627

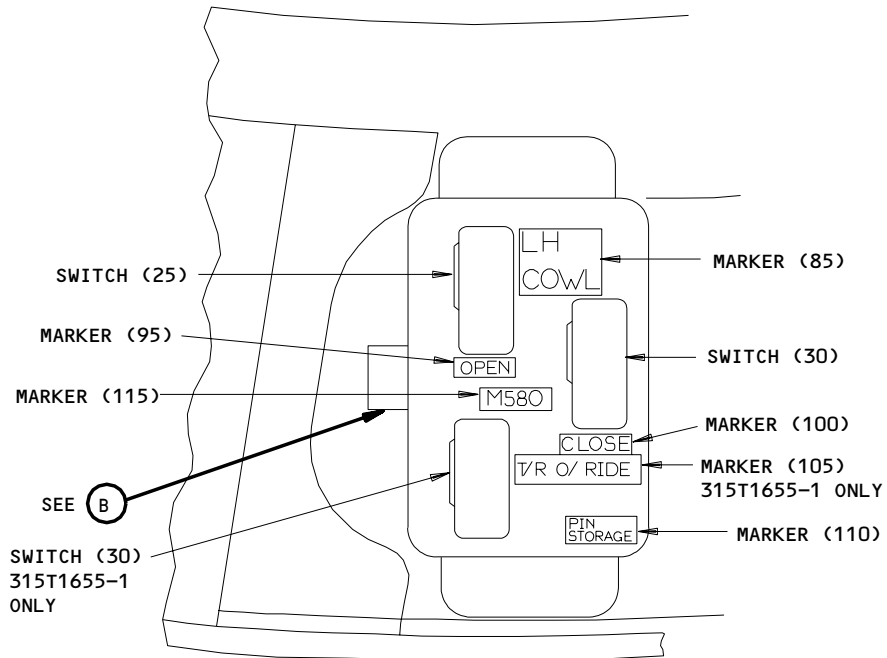
78-31-15

ASSEMBLY
 Page 708
 Mar 01/98

01.1



315T1655-2



315T1655-1 SHOWN
315T1655-3

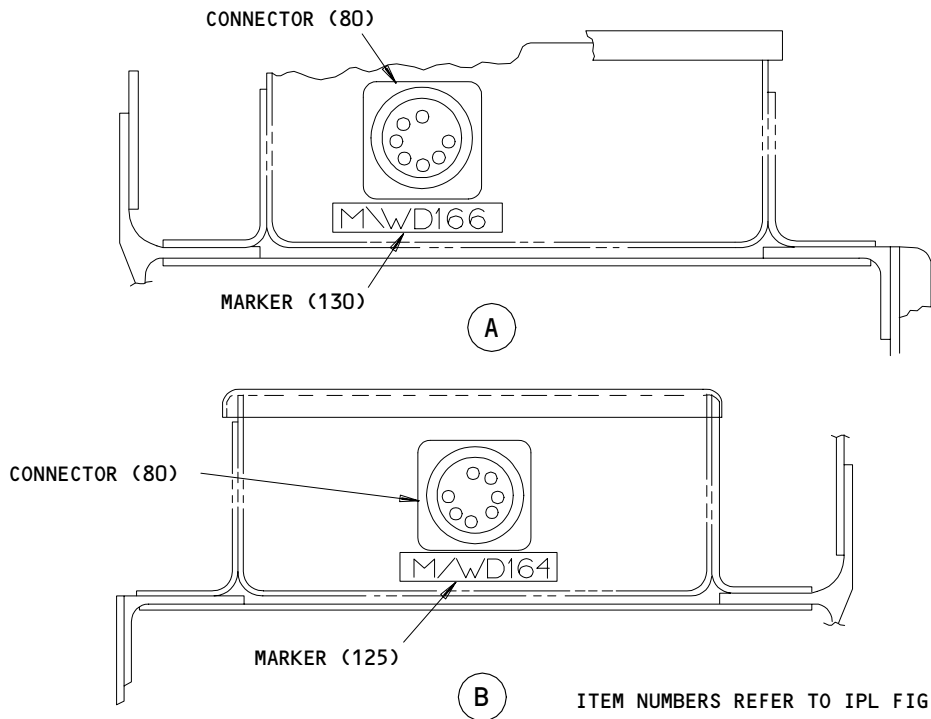
ITEM NUMBERS REFER TO IPL FIG. 5

Switch Installation
Figure 702 (Sheet 1)

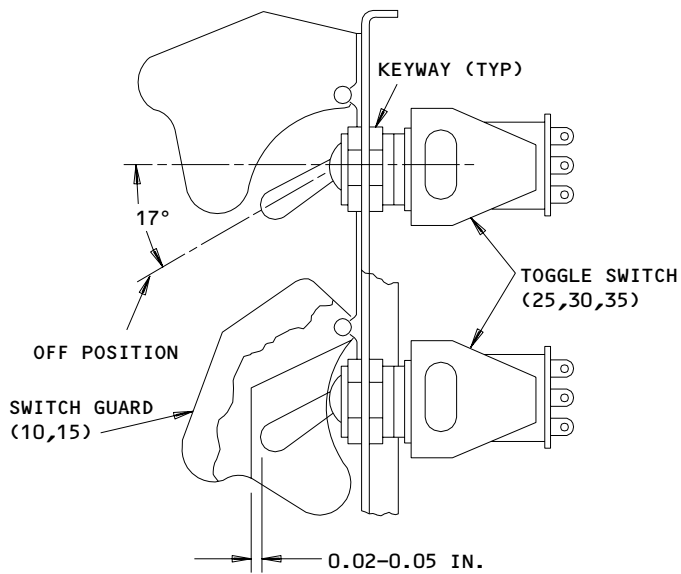
78-31-15

ASSEMBLY
Page 709
Jul 01/93

01.101



Switch Installation
 Figure 702 (Sheet 2)



ITEM NUMBERS REFER TO IPL FIG. 5

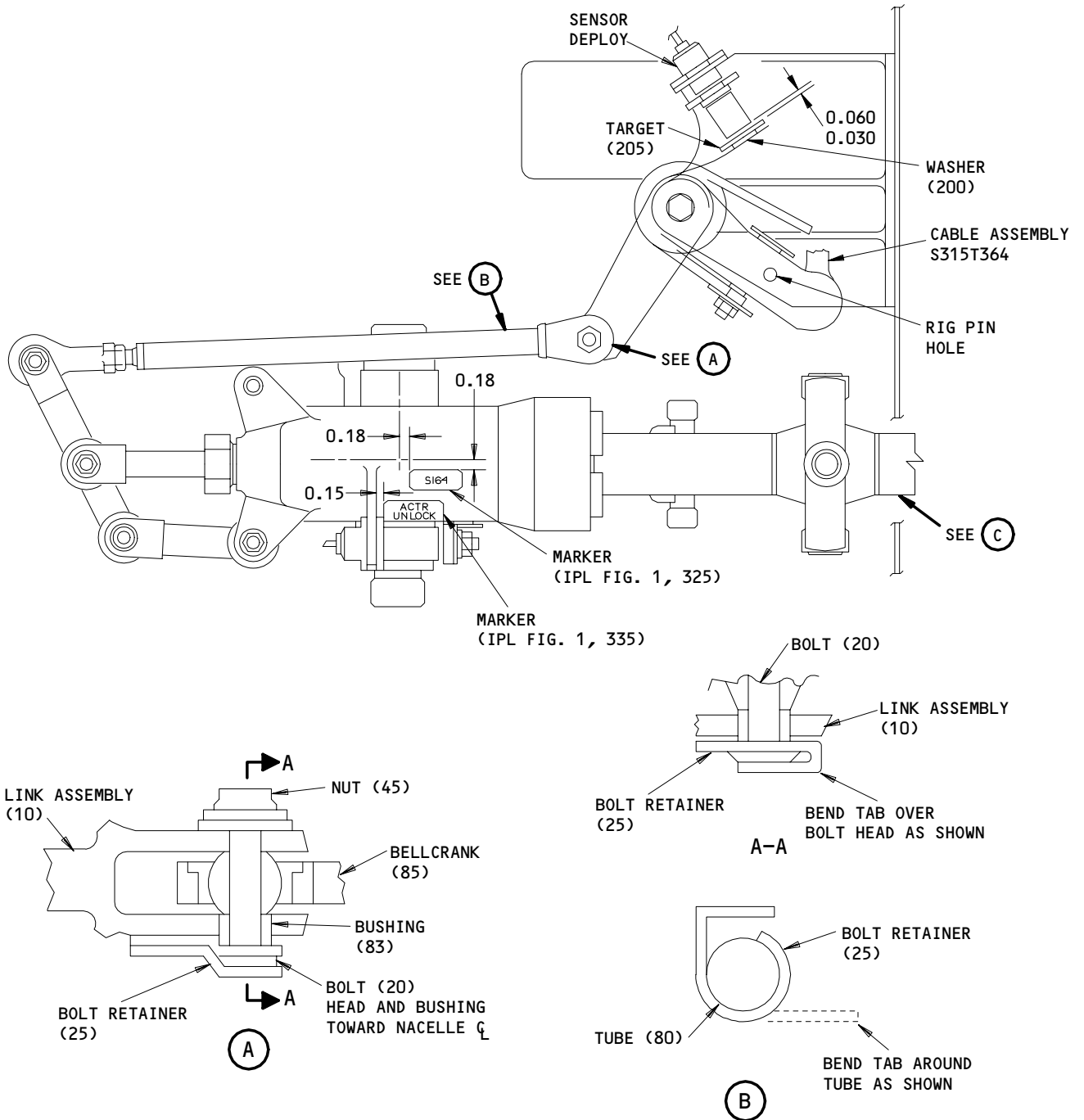
TYPICAL SWITCH INSTALLATION
 Switch Installation
 Figure 703

70629

70630

78-31-15

ASSEMBLY
 Page 710
 Jul 01/93



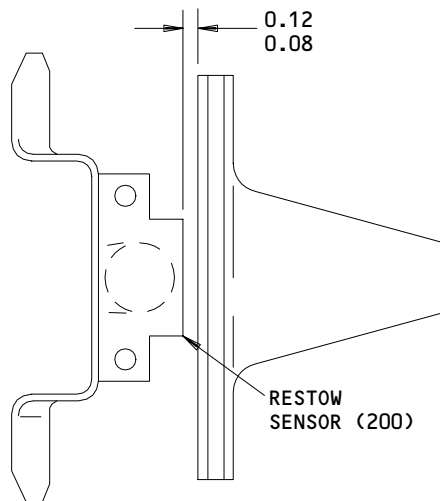
ITEM NUMBERS REFER TO IPL FIG. 2
UNLESS SHOWN DIFFERENTLY
ALL DIMENSIONS ARE IN INCHES

Feedback and Position Indication Installation
Figure 704 (Sheet 1)

78-31-15

ASSEMBLY
Page 711
Jul 01/93

01.1



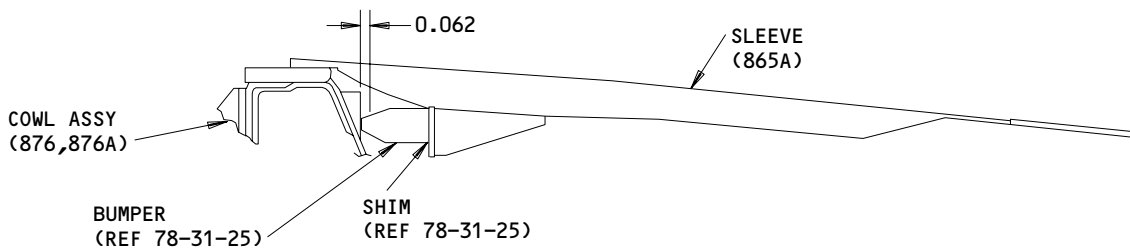
(C)

ALL DIMENSIONS ARE IN INCHES

ITEM NUMBERS REFER TO IPL FIG 1

Feedback and Position Indication Installation
Figure 704 (Sheet 2)

70639



SLEEVE SHOWN IN FORWARD STOWED POSITION

ALL DIMENSIONS ARE IN INCHES

ITEM NUMBERS REFER TO IPL FIG 1

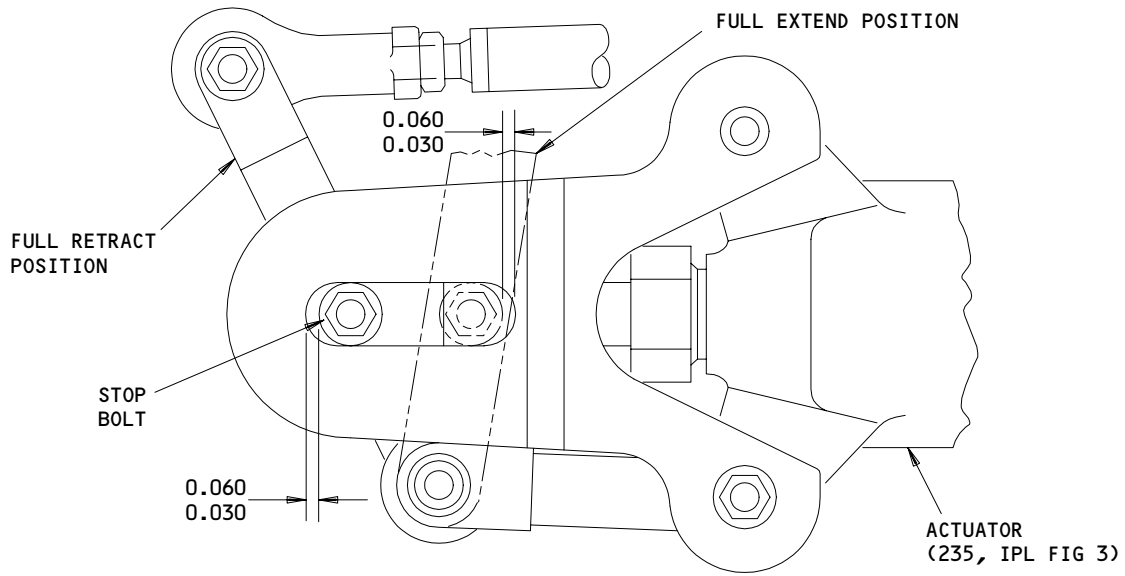
Bumper Adjustment
Figure 705

70643

78-31-15

ASSEMBLY
 Page 712
 Jul 01/93

01.101



ALL DIMENSIONS ARE IN INCHES

Locking Actuator Feedback Synchronization Check
Figure 706

100645

78-31-15

ASSEMBLY
Page 713
Jul 01/93

01.101

SPECIAL TOOLS, FIXTURES AND EQUIPMENT

NOTE: Equivalent substitutes may be used.

- A. Support Stand -- A78011-70
- B. Sling -- A71009-26
- | C. Swaging Tool -- A20012-10

78-31-15

SPECIAL TOOLS

01.1

Page 901

Nov 01/05

ILLUSTRATED PARTS LIST

1. This section lists and illustrates replaceable or repairable component parts. The Illustrated Parts Catalog contains a complete explanation of the Boeing part numbering system.
2. Indentures show parts relationships as follows:
 - Assembly
 - Detail Parts for Assembly
 - Subassembly
 - Attaching Parts for Subassembly
 - Detail Parts for Subassembly
 - Detail Installation Parts (Included only if installation parts may be returned to shop as part of assembly)
3. One use code letter (A, B, C, etc.) is assigned in the EFF CODE column for each variation of top assembly. All listed parts are used on all top assemblies except when limitations are shown by use code letter opposite individual part entries.
4. Letter suffixes (alpha-variants) are added to item numbers for optional parts, Service Bulletin modification parts, configuration differences (except left- and right-hand parts), product improvement parts, and parts added between two sequential item numbers. The alpha-variant is not shown on illustrations when appearance and location of all variants of the part are the same.
5. Service Bulletin modifications are shown by the notations PRE SB XXXX and POST SB XXXX.
 - A. When a new top assembly part number is assigned by Service Bulletin, the notations appear at the top assembly level only. The configuration differences at detail part level are then shown by use code letter.
 - B. When the top assembly part number is not changed by the Service Bulletin, the notations appear at the detail part level.

6. Parts Interchangeability

Optional (OPT)	The parts are optional to and interchangeable with other parts having the same item number.
Supersedes, Superseded By (SUPSDS, SUPSD BY)	The part supersedes and is not interchangeable with the original part.
Replaces, Replaced By (REPLS, REPLD BY)	The part replaces and is interchangeable with, or is an alternate to, the original part.

78-31-15

7. BOEING PROPRIETARY COLOR CODED PARTS

- A. Color-coded parts are identified with an alpha "SP" suffix. This entry represents consolidation of all color codes applicable for a given usage. Orders for color-coded parts should include the registry number of the airplane for which the parts are ordered.

78-31-15

ILLUSTRATED PARTS LIST
01.1 Page 1002
Jul 01/04

VENDORS

K0377 GOODRICH
 STAFFORD ROAD
 FORDHOUSES WOLVERHAMPTON WV10 7EH, UNITED KINGDOM
 FORMERLY LUCAS AEROSPACE AND TRW

OPTK6 SPS TECHNOLOGIES INC AEROSPACE PRODUCTS DIV
 5195 W 4700 SPO BOX 18459
 KEARNS, UTAH 84118

00624 EATON AEROQUIP INC ENGINEERED SYSTEMS DIV
 300 S EAST AVE
 JACKSON, MICHIGAN 49203-1972
 FORMERLY AEROQUIP ELBEE PLANT V99879 OR WESTERN PLANT
 V70128; FORMERLY AEROQUIP AEROSP DIV JACKSON PLANT;
 FORMERLY V11328 AEROQUIP LINAIR DIV

00779 TYCO ELECTRONICS CORP
 2800 FULLING MILL ROAD PO BOX 3608
 MIDDLETOWN, PENNSYLVANIA 17057
 FORMERLY AMP INC; FORMERLY V04618

01673 AIRDROME PRECISION COMPONENTS
 3251 E AIRPORT WAY PO BOX 1867
 LONG BEACH, CALIFORNIA 90806-2407
 FORMERLY AIRDROME PARTS CO

02005 HAYDON SWITCH AND INSTRUMENT, INCORPORATED
 1500 MERIDEN ROAD
 WATERBURY, CONNECTICUT 06705-3910

02660 AMPHENOL CORP INDUSTRIAL TECHNOLOGY DIV
 358 HALL AVENUE PO BOX 384
 WALLINGFORD, CONNECTICUT 06492
 FORMERLY BUNKER RAMO CORP, ELTRA CORP AMPHENOL AND
 AMPHENOL CORP COMM AND IND DIV

02758 NETWORKS ELECTRONIC CORP U S BEARING DIV
 9750 DE SOTO AVENUE
 CHATSWORTH, CALIFORNIA 91311-4409
 FORMERLY U S BEARING DIV NETWORKS ELEC CORP

06710 LAMSON AND SESSIONS CO THE VALLEY-TODECO
 12975 BRADLEY AVENUE
 SYLMAR, CALIFORNIA 91342-3830
 FORMERLY VALLEY BOLT CORP VB0097 IN NORTH HOLLYWOOD, CA

VENDORS

06725 AIR INDUSTRIES CORPORATION
12570 KNOTT STREET
GARDEN GROVE, CALIFORNIA 92641-3932
FORMERLY AIR INDUSTRIES OF CALIF IN GARDENA, CALIF.

06851 RESISTOFLEX CORP WESTERN DIV SEE RESISTOFLEX DIV OF
UNIDYNAMICS CORP V50599

06950 SCREWCORP VSI AEROSPACE PRODUCTS DIV FAIRCHILD IND DIV
13001 EAST TEMPLE AVENUE PO BOX 730
CITY OF INDUSTRY, CALIFORNIA 91746-1417
FORMERLY VB0096 AND VSI CORP SCREWCORP DIV
FORMERLY IN CULVER CITY, CALIFORNIA

07707 POP FASTENERS A BLACK & DECKER CO
510 RIVER ROAD
SHELTON, CONNECTICUT 06484-4517
FORMERLY VB0113, FORMERLY UNITED SHOE MFG CORP FASTENER DIV
FORMERLY USM CORP USM FASTENER DIV

08199 SIERRACIN-HARRISON
3020 EMPIRE AVENUE
BURBANK, CALIFORNIA 91504-3109
FORMERLY TECHNICAL IND INC OR HARRISON MFG CO DIV AXIAL CORP

08524 DEUTSCH FASTENER CORP SEE CODE V97928

08748 CRANE ELDEC CORP
16700 13TH AVE WEST
LYNNWOOD, WASHINGTON 98036
FORMERLY VB0043; FORMERLY ELECTRO DEVELOPMENT CORP;
FORMERLY ELDEC CORP.

08844 NORCO, INCORPORATED
139 ETHAN ALLEN HIGHWAY
RIDGEFIELD, CONNECTICUT 06877

11328 AEROQUIP SEE EATON AEROQUIP V00624

11815 CHERRY AEROSPACE FASTENERS DIV OF TEXTRON
1224 EAST WARNER AVENUE PO BOX 2157
SANTA ANA, CALIFORNIA 92707-0157
FORMERLY IN LOS ANGELES, CALIF, FORMERLY CHERRY FASTENERS
TOWNSEND DIV OF TEXTRON INC V71087

78-31-15

ILLUSTRATED PARTS LIST
01.1 Page 1004
Jul 01/04

VENDORS

- 13556 LABINAL COMPONENTS AND SYS CINCH MILITARY AEROSPACE DIV
8821 SCIENCE CENTER DRIVE
MINNEAPOLIS, MINNESOTA 55428-3619
FORMERLY TRW CINCH MFG CO, FORMERLY IN NEW HOPE, MINNESOTA
FORMERLY CINCH CYLINDRICAL DIV OF LABINAL COMP & SYS
- 14242 VOSS INDUSTRIES INC
2168 WEST 25TH STREET
CLEVELAND, OHIO 44113-4115
- 14397 FABER ENTERPRISES, INCORPORATED
6606 VARIEL AVE
CANOGA PARK, CALIFORNIA 91303-2808
- 14798 DEUTSCH CO METAL COMPONENTS DIV
14800 SOUTH FIGUEROA STREET
GARDENA, CALIFORNIA 90248-1719
FORMERLY WEATHERHEAD V79470 FOR AEROSPACE PRODUCTS
- 15653 FAIRCHILD FASTENERS KAYNAR PRODUCTS DIV
800 S STATE COLLEGE BLVD
FULLERTON, CALIFORNIA 92831-3001
FORMERLY VK6405 MICRODOT AEROSP LTD; FORMERLY KAYNAR TECH
KAYNAR DIV
- 16258 SPACE-LOK INC
13306 HALLDALE AVE
GARDENA, CALIFORNIA 90249-2204
FORMERLY V05704 ALAC INC
FORMERLY IN BURBANK, CA
- 17446 HUCK INTL INC AEROSPACE FASTENER DIV
900 WATSON CENTER ROAD
CARSON, CALIFORNIA 90745-4201
FORMERLY V32134 REXNORD INC; FORMERLY V97928 HUCK INTL
- 18076 UMPCO, INCORPORATED
7100 LAMPSON AVENUE PO BOX 5158
GARDEN GROVE, CALIFORNIA 92645
FORMERLY IN CITY OF INDUSTRY, CALIFORNIA
- 22175 J AND M PRODUCTS INC.
1647 TRUMAN STREET
SAN FERNANDO, CALIFORNIA 91340
FORMERLY IN ANAHUM CALIFORNIA AND BURBANK

78-31-15

ILLUSTRATED PARTS LIST
01.1 Page 1005
Jul 01/04

VENDORS

30974 AEROFIT PRODUCTS INC
6460 DALE STREET
BUENA PARK, CALIFORNIA 90621-3115

41118 RMS COMPANY
8600 EVERGREEN BLVD
COON RAPIDS, MINNESOTA 55433-6036

49367 SEE V14283 AMPHENOL CORP.

5M902 FAIRCHILD IND INC FAIRCHILD AEROSPACE FASTENER DIV
3016 W LOMITA BLVD
TORRANCE, CALIFORNIA 90505-5103
FMLY IN REDONDO BEACH, CALIF

50599 CRANE RESISTOFLEX COMPANY
2575 WEST 5TH STREET
JACKSONVILLE, FLORIDA 22205
FORMERLY RESISTOFLEX DIV OF UNIDYNAMICS

50632 KAMATICS CORP SUB OF KAMAN CORP
1335 BLUE HILLS ROAD
BLOOMFIELD, CONNECTICUT 06002-1304

50808 UNITED SUPPLY CO INC
3676 S BROADWAY PLACE
LOS ANGELES, CALIFORNIA 90007-4432

50948 PARKER-HANNIFIN CORP HUNTSVILLE AIRCRAFT FACILITY
9400 SOUTH MEMORIAL PARKWAY
HUNTSVILLE, ALABAMA 35802
FORMERLY PARKER-HANNIFIN CORP TUBE FITTINGS DIV

52828 REPUBLIC FASTENER MFG CORP
1300 RANCHO CONEJO BLVD
NEWBURY PARK, CALIFORNIA 91320-1405
FORMERLY IN SYLMAR, CALIFORNIA

56878 SPS TECHNOLOGIES INC AEROSPACE AND INDUSTRIAL PRODUCTS DIV
301 HIGHLAND AVE
JENKINTOWN, PENNSYLVANIA 19046
FORMERLY STANDARD PRESSED STEEL

57606 REXNORD CORP PSI BEARINGS DIV
2175 UNION PL
SIMI VALLEY, CALIFORNIA 93065-1661
FORMERLY PSI BEARINGS

78-31-15

ILLUSTRATED PARTS LIST
01.1 Page 1006
Jul 01/04

VENDORS

60119 MONADNOCK CO THE
18301 ARENTH AVENUE PO BOX 1222
CITY OF INDUSTRY, CALIFORNIA 91749
FORMERLY UNITED CARR FASTENER CORP VB0051 VB0056 VB0076
FORMERLY TRW ELECTRONIC COMPONENTS CINCH-MONADNOCK DIV
FORMERLY CINCH-MONADNOCK DIV OF TRW INC V76530

60516 WEST COAST AEROSPACE INC
812 MIRAFLORES STREET
SAN PEDRO, CALIFORNIA 90731-1439

61498 SEE CODE V14798

71087 BOOTS ACFT NUT DIV TOWNSEND CO SEE TEXTRON INC CHERRY
FASTENER TOWNSEND DIV V11815

72962 HARVARD INDUSTRIES INC
3 WERNER WAY SUITE 210
LEBANON, NEW JERSEY 08833
FORMERLY AMERACE CORP ESNA DIV
FORMERLY ELASTIC STOP NUT IN UNION, NJ

73197 HI-SHEAR TECHNOLOGY CORP
2600 SKYPARK DRIVE
TORRANCE, CALIFORNIA 90509

76530 CINCH-MONADNOCK DIV TRW SEE TRW ELECTRONIC COMP
MONADNOCK MILLS SEE CINCH-MONADNOCK DIV OF UNITED CARR
TRW INC TRW ELECTRONIC COMPONENTS CINCH-MONADNOCK DIV SEE
MONADNOCK CO THE V60119

78570 TITFLEX CORP SUB OF BUNDY CORP
603 HENDEE STREET PO BOX 90054
SPRINGFIELD, MASSACHUSETTS 01139

80539 SPS TECHNOLOGIES INC AEROSPACE PRODUCTS DIV
2701 SOUTH HARBOR BOULEVARD PO BOX 1259
SANTA ANA, CALIFORNIA 92702-1259
FORMERLY NUTT-SHEL DIV OF SPC WESTERN CO V80539
AND STANDARD PRESSED STEEL WESTERN DIV V17279

83014 HARTWELL CORPORATION
900 SOUTH RICHFIELD ROAD
PLACENTIA, CALIFORNIA 92670-6732
FORMERLY V0532B IN LOS ANGELES, CALIFORNIA

78-31-15

ILLUSTRATED PARTS LIST
01.1 Page 1007
Jul 01/04

VENDORS

83930 ADEL WIGGINS GROUP
5000 TRIGGS STREET
LOS ANGELES, CALIFORNIA 90022
FORMERLY ADEL PROD DIV OF DELAVAL TURBINE CALIF INC;
FORMERLY EXACTO IND V72285; FORMERLY DELAVAL ADEL FSTN DIV
FORMERLY TRANSAMERICA DELAVAL ADEL FTNRS DIV; FORMERLY IMO
DELAVAL IN HUNTINGTON, WV

84256 AVIBANK MANUFACTURING COMPANY
210 SOUTH VICTORY BLVD PO BOX 391
BURBANK, CALIFORNIA 91503
FORMERLY AVDEL INC AND ROWE SALES CO VB0001
FORMERLY PRICE, D.W. CORP LOS ANGELES, CALIFORNIA V97978

84971 TA MFG CO SUB OF ESTERLINE
28065 W FRANKLIN PKY
VALENCIA, CALIFORNIA 91355
FORMERLY IN LA, CALIF; SUB OF CRITON CORP, GLENDALE, CALIF

88334 WEATHERHEAD GLENDALE, CALIF SEE WEATHERHEAD CLEVELAND V79470

92215 FAIRCHILD IND INC FAIRCHILD AEROSPACE FASTENER DIV
3010 W LOMITA BLVD
TORRANCE, CALIFORNIA 90505-5102
FORMERLY VOI-SHAN IN CULVER CITY, CALIF

93835 PARKER HANNIFIN CORP ABEX DIV
2220 PALMER AVENUE
KALAMAZOO, MICHIGAN 49001
FORMERLY NATIONAL WATERLIFE CO; FORMERLY PNEUMO CORP.;
FORMERLY NWL CONTROLS; FORMERLY ABEX NWL AEROSPACE

94581 NATIONAL UTILITIES CORP/NUCO
1700 HICKORY DRIVE PO BOX 14639
FORT WORTH, TEXAS 76117-6020
FORMERLY IN MONROVIA, CALIFORNIA; FORMERLY V2D588

97928 SEE V17446 HUCK INTL
HUCK INTL SEE V17446 HUCK INTL
SEE V17446 HUCK INTL

98391 ARKWIN INDUSTRIES INC
686 MAIN STREET
WESTBURY, NEW YORK, 11590-5018

78-31-15

ILLUSTRATED PARTS LIST
01.1 Page 1008
Jul 01/04

VENDORS

98441 STRATOFLEX AEROSPACE MILITARY CONNECTOR DIV
220 ROBERTS CUT-OFF
FT. WORTH, TEXAS 76114
FORMERLY STRATOFLEX INC; PARKER-HANNIFIN FLUID CONN GROUP;
FORMERLY PARKER-HANNIFIN FLUID PWR DIV V82271

98625 AEROQUIP CORP AEROSPACE DIV MARMON PLANT SEE AEROQUIP
CORP AEROSPACE DIV V00624

99862 CARR LANE MANUFACTURING COMPANY
4200 CARR LANE CT
ST. LOUIS, MISSOURI 63119-2129

78-31-15

ILLUSTRATED PARTS LIST
01.1 Page 1009
Jul 01/04

REFERENCE DESIGNATOR INDEX (SEE SCHEMATIC DIAGRAM)		
REFERENCE DESIGNATOR	PART NUMBER	FIG-ITEM
S177	8-344-03	1-200B

78-31-15

ILLUSTRATED PARTS LIST
01.1 Page 1010
Jul 01/04



BOEING
COMPONENT
MAINTENANCE MANUAL

PART NUMBER	AIRLINE PART NO.	FIG.	ITEM	TTL REQ
AD66ABS		9	50	
		82	30	
AFP107-6		3	153A	2
AFP175V04		6	120	2
AFP175V06		3	152	2
AFP238-0608J		3	100A	1
AFP2380806J		3	100	
AFP241-06J		3	195	1
AFP241-12J		3	190	1
AM1604-1-6		82	65	
AM2724-1-1		82	55	
AM2724-1-2		82	50	
AM2724-1-3		82	75	
AM2724-1-4		82	80	
AM2724-1-5		82	45	
AM2724-1-6		82	35	
AM2724-3-1		82	60	
AM2739-5-8S		82	90	
AN256-10		2	272	1
AN416-1		8	5	1
AN525-10R6		1	430	
		5	20	4
		10	15	4
AN743-12		12	35	10
AN924-4J		6	70	2
AN924-6J		3	110A	1
AN924-8J		3	110	
AN960-10		1	560	2
AN960-416		2	35	2
AN960-516		3	250	6
AN960-716		6	75A	4
AN960-716L		1	942A	6
AN960C10L		1	690	
		1	704E	12
		1	966D	
		3	108	1
		3	275	2
		6	15	5
		6	30	1
		12	15	22
		12	70	1
AN960C11		8	30	1
		11	15	3
AN960C1216		3	105	
AN960C416		1	705	
		1	704V	1
		6	60	2

78-31-15

ILLUSTRATED PARTS LIST
01.1 Page 1011
Nov 01/05

PART NUMBER	AIRLINE PART NO.	FIG.	ITEM	TTL REQ
AN960C716		6	75	
AN960D10		1	178	4
AN960D10L		1	176	8
AN960JD10L		1	967D	
		12	50	9
AN960KD10L		10	75	4
AN960PD10		1	295	AR
		2	190	1
		3	25	18
		3	30	16
AN960PD10L		1	215	2
		1	230	1
		1	270	2
		1	300	AR
		2	200	AR
		4	15	23
AN960PD1016L		1	170	2
AN960PD516		1	585	1
AN960PD916		3	105A	2
AN960P08L		1	730	12
AN960XC4L		5	73	4
		10	35	4
AN960XC516L		1	942	6
		1	964	6
		1	765A	
		1	942B	6
AN960XC616L		1	765	
AN960XC716L		1	760	6
APX832-0608J		3	100A	1
APX832J0608		3	100A	1
AP1008-06J		3	195	1
AP1008-12J		3	190	1
AP1028T6		3	153A	2
AP2097-04H		6	120	2
AP2097-06H		3	152	2
AS119E0140AAN		6	95	1
AS119G0120CCN		3	185	1
AS119G0135CCN		3	185A	
AS119G0150CCN		3	180A	1
AS119G0150DDN		3	180	1
AS152G0120CCN		3	185	1
AS152G0150CCN		3	180A	1
A2724-3		1	600A	1
		9	55	1
		82	1	
A6501-1		1	600D	
A6501-2		1	600F	

78-31-15

 ILLUSTRATED PARTS LIST
 01.1 Page 1012
 Nov 01/05

PART NUMBER	AIRLINE PART NO.	FIG.	ITEM	TTL REQ
A6501-3		1	600H	1
BACB28AK04-020		2	50	
		2	83	1
BACB28AK05-030		3	260	3
BACB28AK05-034		1	595	1
BACB28AK05-045		2	170	1
BACB28AK05-065		2	165	1
BACB28AK07-058		1	770	6
BACB28AK07-080		1	775	
		1	941	6
		1	967	
		1	941B	6
		1	965S	6
BACB28AM06B012A		2	115	1
BACB28AP04P012		2	120	1
BACB28AP05P015		1	650	1
BACB28AP05P020		2	243	2
BACB28AP05P050		2	125	2
BACB28AP07P018		2	245	1
BACB28AP07P038		2	240	1
BACB28AR10-078		1	840	
BACB28W7B018		2	245B	1
BACB28W7B038		2	240B	1
BACB28W7B075		2	125A	2
BACB28X7M018		2	245A	1
BACB28X7M038		2	240A	1
BACB30FM8A12		2	20	1
BACB30FN5A4		1	725	12
BACB30LE4-10		2	15	1
BACB30LE5-76		2	95	1
BACB30LH3-7		2	185	
BACB30LH3D9		1	265	2
BACB30LH4D25		1	785	6
BACB30LJ5-15		1	580	1
BACB30LJ7-32		1	940F	6
BACB30LK3-2		10	70	4
BACB30LK3-3		6	135	2
BACB30LL3-3		1	60	4
		1	120	5
BACB30LL4-2		1	47	1
		1	107	1
BACB30LL4-3		1	45	7
		1	105	6
BACB30LL4-4		1	40	
		1	100	
BACB30LL4-7		1	390	
BACB30LM10-33		1	830	

78-31-15

ILLUSTRATED PARTS LIST
01.1 Page 1013
Nov 01/05

PART NUMBER	AIRLINE PART NO.	FIG.	ITEM	TTL REQ
BACB30LM3-24		3	10	
		3	15	
BACB30LM3-27		3	20	
BACB30LM4-2		3	210	
BACB30LM5D20		3	245	3
BACB30LU3-7		2	185A	1
BACB30MY6K3		7	45	4
		7	65	2
		7	85	2
BACB30NM4K17		6	55	2
BACB30NT3K2		9	5	2
BACB30NW5K3		7	25	4
BACB30NX5K14		2	130	1
BACB30NX5K9		2	220	1
BACB30NX6K3		1	630	4
BACB30NX6K5		1	635	6
		1	636	4
BACB30NX6K6		1	637	2
BACB30PU5-26		1	700	
		1	704Q	1
BACC10BN275LM		3	196	1
		12	115	1
BACC10EP12		3	285	2
BACC10GE4		6	40	6
BACC10GE6C		3	106	2
BACC10GT2-04P		6	45	6
BACC10GT2-06		3	47	8
		3	49	10
BACC10GT3-06P		1	245	3
BACC10GU		4	25	23
		12	30	15
BACC10GU102		12	25	2
		12	80	1
BACC13Y3A30		8	15	1
BACC13Y3B42		9	30	1
BACC14AD06J		3	195	1
BACC14AD12J		3	190	1
BACC30M5		1	735	12
		7	30	4
BACC30M6		7	50	4
		7	70	2
		7	90	2
BACC30X5SW		2	145	1
		2	235	1
BACC30X6SW		1	640	10
BACC45FM14-7P		5	80	1
		10	45	1

78-31-15

 ILLUSTRATED PARTS LIST
 01.1 Page 1014
 Nov 01/05

PART NUMBER	AIRLINE PART NO.	FIG.	ITEM	TTL REQ
BACE21AU0606		3	115	1
BACF22U2		8	10	2
		9	35	1
BACF33C111-100DF		1	638	1
BACH6M0140AAN		6	95	1
BACH6P0120CCN		3	185	1
BACH6P0150CCN		3	180A	1
BACH6P0150DDN		3	180	1
BACN10CS06J		3	153	2
		3	154	2
BACN10GH3B2		1	240	1
BACN10GW3		1	195	2
		1	275	2
BACN10JC3		1	220	2
		3	109	1
		4	20	23
		6	20	5
		6	35	1
		12	20	12
		12	75	1
BACN10JC3CD		2	195	1
		9	10	2
BACN10JC3CM		3	45	16
		3	40G	18
		8	40	1
		11	30	1
BACN10JC4CM		1	705A	1
BACN10JC5C		1	590A	1
BACN10JC5CD		1	590	1
BACN10JC7		1	947	6
BACN10JD105		3	255	
BACN10JD4CD		1	805	6
BACN10JD5		3	255A	3
BACN10JN3		2	300	1
BACN10JN4CM		1	375	2
BACN10KJ3		10	85	4
BACN10NR6		3	153A	2
BACN10XP1		5	75	4
		10	40	4
BACP18AN3-22		11	5	1
BACR15BA3AD		1	370	4
		2	295	2
BACR15BA5AD		1	65	12
BACR15BA5KE		1	125	12
BACR15BB3A		2	271	2

78-31-15

PART NUMBER	AIRLINE PART NO.	FIG.	ITEM	TTL REQ
BACR15BB3AD		1	235	2
		1	831	4
		1	833	4
		1	895	
		10	80	8
BACR15BB4AD		10	105	4
BACR15BB5AD		1	280	2
		2	55	4
		2	250	2
BACR15BB6AD		1	605	6
		1	645	4
BACR15BB6AD4		1	966W	
		12	85	3
		12	90	1
BACS12CK3-7		1	185	2
BACS13BX04H		6	120	2
BACS13BX06H		3	152	2
BACS4OR07C54F		1	78	AR
BACS4OR07C63F		1	77	AR
BACS4OR09C31F		1	122	AR
BACS4OR09C54F		1	128	AR
BACS4OR09E31F		2	285	1
BACS4OR10C100F		1	55	
BACS4OR10C58F		1	127	AR
BACS4OR10C79F		1	110	
BACS4OR10C80F		1	115	
BACS4OR10C93F		1	50	
BACS4OR13C37F		1	123	AR
BACS4OR6F44F		3	57	
		3	58	
		3	57A	AR
BACS4OR9F44F		3	58A	AR
		2	163	1
BACS4OU5N2C		3	265	4
BACT11SH18F		3	102	1
BACT16BR060606J		3	100A	1
BACU24AA0608J		3	202	2
BACW10BP3ACU		12	105	2
		1	190	2
BACW10BP5AC		2	105	1
BACW10BP5AP		2	100	1
BACW10P171AL		2	140	1
		2	230	1
BACW10P186C		1	795	6
BACW10P321S		2	40	1
BAC27TPP0209		12	160	1
BAC27TPP0213		12	165	1

78-31-15

 ILLUSTRATED PARTS LIST
 01.1 Page 1016
 Nov 01/05

PART NUMBER	AIRLINE PART NO.	FIG.	ITEM	TTL REQ
BAC27TTR0001		1	475	
		5	85	1
		10	130	1
BAC27TTR0002		1	480	
		5	90	1
		10	140	1
BAC27TTR0003		1	485	
		5	95	1
		10	145	1
BAC27TTR0004		1	490	
		5	100	1
		10	135	1
BAC27TTR0005		1	495	
		5	105	1
		10	155	1
BAC27TTR0006		1	500	
		5	110	1
		6	160	1
BAC27TTR0008		7	80	1
		10	150	1
		10	155	1
BAC27TTR0009		1	505	
		5	115	1
		10	160	1
BAC27TTR0012		1	510	
		5	120	1
		10	165	1
BAC27TTR0013		1	515	
		5	125	1
		10	170	1
BAC27TTR0016		1	520	
		5	130	1
		10	175	1
BAC27TTR0017		1	350	1
BAC27TTR0018		1	310	1
BAC27TTR0026		1	335	1
		1	977	
		12	145	1
BAC27TTR0027		1	325	1
BAC27TTR0028		1	330	1
BAC27TTR0029		1	315	1
BAC27TTR0030		1	320	1
BAC27TTR0031		1	340	1
BAC27TTR0043		1	345	1
BAC27TTR57		9	60	1
BAC27TTR58		12	135	1
		12	140	1

78-31-15

ILLUSTRATED PARTS LIST
01.1 Page 1017
Nov 01/05

PART NUMBER	AIRLINE PART NO.	FIG.	ITEM	TTL REQ
BAC27TTR59		1	968	
		12	180	1
BAC27TTR60		1	968A	
		12	185	1
BAC27TTR61		1	969	
		12	170	1
BAC27TTR62		1	969A	
		12	175	1
BAC27TTR63		1	975	
		12	150	1
BAC27TTR64		1	975A	
		12	155	1
BAC27TTR74		1	976A	
BAC27TTR75		1	976	
BAC27TTR77		1	970	
BCREFA2984		1	638	1
BC1080S275LZ		3	196	1
		12	115	1
BC921T6		3	153A	2
BLC4BC18S		9	20B	1
BLC4BC18SL4		9	20	
BLDS3-22		11	5	1
BRFM20A3		2	300	1
BRFM20C4M		1	375	2
BRH10A3		1	220	2
		3	109	1
		4	20	23
		6	20	5
		6	35	1
		12	20	12
		12	75	1
BRH10A7		1	947	6
BRH10C3D		2	195	1
		9	10	2
BRH10C3M		3	45	16
		3	40G	18
		8	40	1
		11	30	1
BRH10C4M		1	705A	1
BRH10C5		1	590A	1
BRH10C5D		1	590	1
BR1110C4M		1	710	
B30MY6K3		7	45	4
		7	65	2
		7	85	2
B30NW5K3		7	25	4
B462M0140N		6	95	1

78-31-15

 ILLUSTRATED PARTS LIST
 01.1 Page 1018
 Nov 01/05

PART NUMBER	AIRLINE PART NO.	FIG.	ITEM	TTL REQ
B462P0150CCN		3	180A	1
B462P0150N		3	180	1
CL2739-1		82	20	
CL4BLPB1-8S		9	20A	1
CL4F		8	10	2
		9	35	1
C48-00R14-7P102		1	470	
		5	80	1
		10	45	1
DBOC14AD06J		3	195	1
DBOC14AD12J		3	190	1
DBON10NR6		3	153A	2
DBOS13BX04H		6	120	2
DBOS13BX06H		3	152	2
DBOU24AA0608J		3	100A	1
ER01921-6T		3	153A	2
ER832-0608J		3	100A	1
FER1579-0608J		3	100A	1
FER22661-06J		3	195	1
FER22661-12J		3	190	1
FER8928-6		3	153A	2
F11-6		3	153A	2
HL10VAZ6-3		7	45	4
		7	65	2
		7	85	2
HL1012AZ5-14		2	130	1
HL1012AZ5-9		2	220	1
HL1012AZ6-3		1	630	4
HL1012AZ6-5		1	635	6
		1	636	4
HL1012AZ6-6		1	637	2
HL11VAZ5-3		7	25	4
HL1187DUW5		2	145	1
		2	235	1
HL1187DUW6		1	640	10
HL12VAZ5-14		2	130	1
		2	130	1
		2	130	1
		2	130	1
HL12VAZ5-9		2	220	1
		2	220	1
		2	220	1
		2	220	1
HL12VAZ6-3		1	630	4
		1	630	4
		1	630	4
		1	630	4

78-31-15

PART NUMBER	AIRLINE PART NO.	FIG.	ITEM	TTL REQ
HL12VAZ6-5		1	635	6
		1	635	6
		1	635	6
		1	635	6
		1	636	4
		1	636	4
		1	636	4
		1	636	4
HL12VAZ6-6		1	637	2
		1	637	2
		1	637	2
		1	637	2
HL19-5A4		1	725	12
HL41PY5-4		1	725	12
HL440UC8-12		2	20	1
		2	20	1
		2	20	1
		2	20	1
		2	20	1
		2	20	1
HL441N5-4		1	725	12
HL441UC5-4		1	725	12
HL441UC8-12		2	20	1
HL70-5		1	735	12
		7	30	4
		7	50	4
HL79-6		7	70	2
		7	90	2
		2	145	1
		2	145	1
HL86DUW5		2	145	1
		2	145	1
		2	145	1
		2	235	1
		2	235	1
		2	235	1
		2	235	1
HL87DUW5		2	145	1
		2	145	1
		2	145	1
		2	235	1
		2	235	1
		2	235	1
		2	235	1
HL87DUW6		1	640	10
		1	640	10
		1	640	10
H01-3BAC		3	45	16
		3	40G	18
		8	40	1
		11	30	1
H01-4BAC		1	705A	1

78-31-15

 ILLUSTRATED PARTS LIST
 01.1 Page 1020
 Nov 01/05

PART NUMBER	AIRLINE PART NO.	FIG.	ITEM	TTL REQ
H10-3BAC		1	220	2
		1	966H	
		3	109	1
		4	20	23
		6	20	5
		6	35	1
		12	20	12
		12	75	1
H10-7BAC		1	947	6
H2942-9		1	745A	1
H31-5BAC		1	590A	1
H51650-10BAC		1	845	
H51650-3BAC		2	195	1
		9	10	2
H51650-5BAC		1	590	1
JM44LC13WH6R		3	106	2
JM44LC13WS4R		6	40	6
JM44LC39S102RG		1	966M	
		12	25	2
		12	80	1
KJB247307B		1	941A	6
K4-91		2	75	
LA3EW22		11	5	1
LER832-0608J		3	100A	1
L802-5K14		2	130	1
L802-5K9		2	220	1
L802-6K3		1	630	4
L802-6K5		1	635	6
		1	636	4
L802-6K6		1	637	2
L803-5K3		7	25	4
L8058A12		2	20	1
L839-5A4		1	725	12
MBC5825275LM		3	196	1
		12	115	1
MF1000-3BAC		2	300	1
		2	300	1
MF1001-4BAC		1	375	2
MF53049-3		2	300	1
MF6000-3		10	85	4
MS14145-5		1	780	
		1	943	6
		1	965	6
		1	943A	6
MS17984C418		9	20C	1
MS20230GB10		8	45	1
MS20230WB10		8	50	1

78-31-15

ILLUSTRATED PARTS LIST
01.1 Page 1021
Nov 01/05

PART NUMBER	AIRLINE PART NO.	FIG.	ITEM	TTL REQ
MS20470AD3-10		82	100	
MS20613-6C30		9	45	1
		82	25	
MS21042L3		1	182	4
		1	967M	
		3	280	1
		12	60	3
MS21209F8-10		6	145	1
		7	35	4
		10	95	1
MS21340-05		1	165	4
MS21902J4		6	85	1
MS21902J6		3	120	1
MS21919WCH28		9	40	2
MS21919WCH5		9	15	2
MS21921-4J		6	125	2
MS21921-6J		3	153B	2
MS21924J4		6	80	2
MS24665-151		1	806	6
MS24665-153		3	240	3
MS24665-227		1	946	6
		1	966	
		1	781A	
		1	946A	6
		1	965J	6
MS24665-300		1	781	
MS25224-3		1	420	
		1	425	
		5	10	2
		5	15	1
		10	10	2
MS27253-2		1	836	1
		1	839	1
		1	900	
MS27980-1N		8	51	1
MS27980-6N		8	52	1
MS27980-7N		8	53	1
MS27980-8N		8	54	1
MS35338-138		1	967A	
MS35338-43		1	174	4
		12	45	3
MS35650-302		1	967H	
MS35650-305T		1	180	4
		12	55	3
M83248-1-012		6	90	1
NAS1193K5C		82	15	

78-31-15

 ILLUSTRATED PARTS LIST
 01.1 Page 1022
 Nov 01/05

PART NUMBER	AIRLINE PART NO.	FIG.	ITEM	TTL REQ
NAS1756-24		8	55	1
		11	25	1
NAS1801-04-5		1	460	
		5	70	4
		10	30	4
NAS1801-3		4	5	23
NAS1801-3-12		1	172	4
		1	966S	
		12	40	3
NAS1801-3-26		3	12	6
		3	13	6
NAS1801-3-3		3	107	1
		12	10	12
NAS1801-3-30		3	17	12
		3	18	10
NAS1801-3-4		1	966A	
		12	65	1
NAS1801-3-5		3	270	1
NAS1801-3-6		1	210	2
NAS1801-3-8		1	225	1
NAS1804-4		6	65	2
NAS1805-3N		1	565	1
NAS1805-4N		2	45	2
NAS1805-5N		2	110	1
NAS43DD3-15		8	35	1
NAS43DD3-16		2	135	1
		2	225	1
NAS43DD3-24		11	20	1
NAS43DD3-66		3	35A	18
		3	40A	16
NAS43DD3-76		3	35	
		3	40	
NAS509-5C		2	70	1
NAS603-11P		11	10	1
NAS603-22P		8	25	1
NAS6703-3		1	685	
		1	704	12
		6	10	5
		6	25	1
NAS6703L15		1	555	1
NAS6703P15		1	555A	1
NAS6703U1		3	201	2
		12	100	2
NAS6704-2		3	210A	6
NAS6704L7		1	365	2
NAS6707-32		1	940D	6
NAS8704-7		1	390A	2

78-31-15

ILLUSTRATED PARTS LIST
01.1 Page 1023
Nov 01/05

PART NUMBER	AIRLINE PART NO.	FIG.	ITEM	TTL REQ
NS103218-02		2	300	1
NS103218SE048		1	375	2
NS202101-02		1	220	2
		3	109	1
		4	20	23
		6	20	5
		6	35	1
		12	20	12
		12	75	1
NS202101SE02		3	45	16
		3	40G	18
		8	40	1
		11	30	1
NS202486-02		2	195	1
		9	10	2
P21110		1	820	
		1	820A	1
		80	1	
		80	1B	RF
P21111		80	5	1
P21112		80	10	1
P21620		2	150	1
		2	150B	1
		83	1B	R6
P21621		83	5	1
RMF9201M3		2	300	1
RMLH9075-3W		1	220	2
		3	109	1
		4	20	23
		6	20	5
		6	35	1
		12	20	12
		12	75	1
RMLH9075-7		1	947	6
RST125CD		82	85	
R071914-7P		5	80	1
		10	45	1
R8947M0140AAN		6	95	1
		6	95	1
R8947P0120CCN		3	185	1
		3	185	1
R8947P0150CCN		3	180A	1
		3	180A	1
R8947P0150DDN		3	180	1
		3	180	1
R8963M0140AAN		6	95	1
		6	95	1

78-31-15

 ILLUSTRATED PARTS LIST
 01.1 Page 1024
 Nov 01/05

PART NUMBER	AIRLINE PART NO.	FIG.	ITEM	TTL REQ
R8963P0120CCN		3	185	1
R8963P0150CCN		3	180A	1
R8963P0150DDN		3	180	1
		3	180	1
R8992M0140AAN		6	95	1
SI2401		1	160	
SLDS3R22		11	5	1
SSD66SSBS		9	50A	3
S218		82	40	
S240		82	95	
S283T006-7		1	200B	1
S285		82	70	
S302T001-301A		2	150	1
		2	150A	
		2	150B	1
		83	1B	R6
S302T001-301B		83	5	1
S302T001-304A		2	75A	1
		81	1B	R6
S302T001-305A		1	820A	1
		80	1B	R6
S315N370-1		3	203	1
S315N370-2		3	203A	1
		12	110	1
S315N370-3		12	110A	1
S315T114-3		1	745A	1
S315T360-31		3	230	2
		3	230A	2
		3	230F	1
S315T360-34		3	235	1
		3	235A	1
S315T360-36		3	155A	2
		3	155B	2
S315T360-39		3	230B	
		3	230C	2
		3	230G	1
S315T360-41		3	235B	
		3	235C	1
S315T360-44		3	235D	
S315T360-47		3	230D	1
S315T360-5		3	160	2
S315T360-51		3	230E	1
S315T360-7		3	200	1
S315T366-2		1	600	
		1	600A	1
		9	55	1
S315T366-5		1	600B	

78-31-15

ILLUSTRATED PARTS LIST
01.1 Page 1025
Nov 01/05

PART NUMBER	AIRLINE PART NO.	FIG.	ITEM	TTL REQ
S315T366-9		1	600G	
		1	600H	1
S369WHSS6		3	106	2
S369WH4		6	40	6
S717-102S102RG		12	25	2
		12	80	1
TA12C32WH6		3	106	2
TA12C32WS4		6	40	6
TY1878-20		3	203	1
TY1878-21		3	203A	1
		12	110	1
TY1878-22		12	110A	1
T6C1032JCD		2	195	1
		9	10	2
T6C1032JM		3	45	16
		3	40G	18
		8	40	1
		11	30	1
T6C428JM		1	705A	1
T6C524J		1	590A	1
T6C524JCD		1	590	1
T6S1032J		1	220	2
		3	109	1
		4	20	23
		6	20	5
		6	35	1
		12	20	12
		12	75	1
T8125C4C		1	375	2
		1	375	2
USB4-136		2	150	1
		2	150B	1
		83	1B	R6
US2103-06J		3	195	1
US2103-12J		3	190	1
US2113-0608J		3	100A	1
VN252A02		2	300	1
VN252D048		1	375	2
VN303A02		1	220	2
		3	109	1
		4	20	23
		6	20	5
		6	35	1
		12	20	12
		12	75	1

78-31-15

 ILLUSTRATED PARTS LIST
 01.1 Page 1026
 Nov 01/05

PART NUMBER	AIRLINE PART NO.	FIG.	ITEM	TTL REQ
VN303D02		3	45	16
		3	40G	18
		8	40	1
		11	30	1
VN303D048		1	705A	1
VTA00320		82	10	
VTA04560		2	75A	1
		81	1	
		81	1B	RF
VTA04561		81	5	1
VTA04563		81	10	1
VTB04540		2	150	1
		2	150B	1
		83	1	
		83	1B	RF
VTB04541		83	5	1
VTB04542		83	10	1
VTB04971		1	855	
VTB08060		1	820A	1
WC130-8-12		2	20	1
ZZYAC1714-7P		5	80	1
		10	45	1
0111153-007		6	50	1
		6	50A	1
		6	50B	1
0111153-010		6	50B	1
015T0094-11		1	2K	RF
015T0094-12		1	6	RF
015T0094-13		1	11	RF
015T0094-14		1	14P	RF
015T0131-10SP		1	15H	RF
015T0131-5SP		1	1G	RF
015T0131-6SP		1	15G	RF
015T0131-7SP		1	1J	RF
015T0131-8SP		1	15J	RF
015T0131-9SP		1	1H	RF
015T0442-33		1	1P	RF
015T0442-34		1	5K	RF
015T0442-35		1	10K	RF
015T0442-36		1	15P	RF
015T0442-37		1	1R	RF
015T0442-38		1	5M	RF
015T0442-39		1	10M	RF
015T0442-40		1	15R	RF
015T0442-41		1	1Q	RF
015T0442-42		1	5L	RF
015T0442-43		1	10L	RF
015T0442-44		1	15Q	RF

78-31-15

ILLUSTRATED PARTS LIST
01.1 Page 1027
Nov 01/05

PART NUMBER	AIRLINE PART NO.	FIG.	ITEM	TTL REQ
015T0442-45		1	1S	RF
015T0442-46		1	15S	RF
10083		82	5	
101LH9075-5W		1	590A	1
102LH9075-3W		2	195	1
		9	10	2
102LH9075-5W		1	590	1
1044275LM		3	196	1
		12	115	1
109F9201M4		1	375	2
109LH9075-3W		3	45	16
		3	40G	18
		8	40	1
		11	30	1
109LH9075-4W		1	705A	1
132003		1	465	
		5	75	4
		10	40	4
19396N275LM		3	196	1
		12	115	1
2-010890608J		3	100A	1
2-02813-06J		3	195	1
2-02813-12J		3	190	1
2-02903-04H		6	120	2
2-02903-06H		3	152	2
2-03005T6		3	153A	2
2-117		82	105	
2190000-15		3	230	2
		3	230A	2
		3	230F	1
2190000-21		3	230C	2
		3	230G	1
2190000-22		3	235	1
		3	235A	1
2190000-26		3	235C	1
2190000-34		3	235E	1
286T0326		4	40	1
286T0328		4	50	1
286T0330		4	45	1
286T0332		4	55	1
288T3199		1	955	
		1	992	RF
		4	1	RF
3078C275LM		3	196	1
		12	115	1
315T1001-1		1	1	
315T1001-1SP		1	1A	RF

78-31-15

 ILLUSTRATED PARTS LIST
 01.1 Page 1028
 Nov 01/05

PART NUMBER	AIRLINE PART NO.	FIG.	ITEM	TTL REQ
315T1001-10SP		1	15C	RF
315T1001-11SP		1	1B	RF
315T1001-12SP		1	5B	RF
315T1001-13SP		1	10B	RF
315T1001-14SP		1	15B	RF
315T1001-15SP		1	1D	RF
315T1001-16SP		1	15D	RF
315T1001-17SP		1	1E	RF
315T1001-18SP		1	5D	RF
315T1001-19SP		1	10D	RF
315T1001-2		1	5	
315T1001-2SP		1	5A	RF
315T1001-20SP		1	15E	RF
315T1001-21SP		1	1F	RF
315T1001-22SP		1	5E	RF
315T1001-23SP		1	10E	RF
315T1001-24SP		1	15F	RF
315T1001-25SP		1	1K	RF
315T1001-26SP		1	5F	RF
315T1001-27SP		1	10F	RF
315T1001-28SP		1	15K	RF
315T1001-29SP		1	1L	RF
315T1001-3		1	10	
315T1001-3SP		1	10A	RF
315T1001-30SP		1	5G	RF
315T1001-31SP		1	10G	RF
315T1001-32SP		1	15L	RF
315T1001-33SP		1	1M	RF
315T1001-34SP		1	5H	RF
315T1001-35SP		1	10H	RF
315T1001-36SP		1	15M	RF
315T1001-37SP		1	1N	RF
		1	11N	
315T1001-38SP		1	5J	RF
315T1001-39SP		1	10J	RF
315T1001-4		1	15	
315T1001-4SP		1	15A	RF
315T1001-40SP		1	15N	RF
315T1001-5		1	835	
315T1001-5017		1	905A	1
315T1001-5018		1	905	1
315T1001-5019		1	915A	1
315T1001-5020		1	910	1
315T1001-5021		1	905B	1
315T1001-5023		1	915B	1
315T1001-5024		1	910A	1
315T1001-5025		1	915	1

78-31-15

PART NUMBER	AIRLINE PART NO.	FIG.	ITEM	TTL REQ
315T1001-5027		1	920A	1
315T1001-5028		1	920	1
315T1001-5029		1	905C	1
315T1001-5030		1	910B	1
315T1001-5031		1	915C	1
315T1001-5032		1	920B	1
315T1001-5033		1	905D	1
315T1001-5034		1	910C	1
315T1001-5035		1	915D	1
315T1001-5036		1	920C	1
315T1001-5037		1	905E	1
315T1001-5038		1	910D	1
315T1001-5039		1	915E	1
315T1001-5040		1	920D	1
315T1001-5041		1	905F	1
315T1001-5042		1	910E	1
315T1001-5043		1	915F	1
315T1001-5044		1	920E	1
315T1001-5045		1	905G	1
315T1001-5046		1	910F	1
315T1001-5047		1	915G	1
315T1001-5048		1	920F	1
315T1001-5049		1	905H	1
315T1001-5050		1	910G	1
315T1001-5051		1	915H	1
315T1001-5052		1	920G	1
315T1001-5053		1	905J	1
315T1001-5054		1	910H	1
315T1001-5055		1	915J	1
315T1001-5056		1	920H	1
315T1001-5057		1	905K	1
315T1001-5058		1	910J	1
315T1001-5059		1	915K	1
315T1001-5060		1	920J	1
315T1001-5061		1	905M	1
315T1001-5062		1	910L	1
315T1001-5063		1	915M	1
315T1001-5064		1	920L	1
315T1001-5065		1	905L	1
315T1001-5066		1	910K	1
315T1001-5067		1	915L	1
315T1001-5068		1	920K	1
315T1001-5069		1	905N	1
315T1001-5070		1	910M	1
315T1001-5071		1	915N	1
315T1001-5072		1	920M	1
315T1001-5073		1	905P	1

78-31-15

 ILLUSTRATED PARTS LIST
 01.1 Page 1030
 Nov 01/05

PART NUMBER	AIRLINE PART NO.	FIG.	ITEM	TTL REQ
315T1001-5074		1	910N	1
315T1001-5075		1	915P	1
315T1001-5076		1	920N	1
315T1001-7SP		1	1C	RF
315T1001-7001		1	16	1
315T1001-7002		1	17	1
315T1001-7003		1	18	1
315T1001-7004		1	19	1
315T1001-8SP		1	5C	RF
315T1001-9SP		1	10C	RF
315T1002-1		1	875	
		1	921	1
315T1002-15		1	876A	1
315T1002-16		1	881A	1
315T1002-17		1	886A	1
315T1002-18		1	881B	1
315T1002-19		1	886B	1
315T1002-2		1	880	
		1	922	1
315T1002-20		1	891A	1
315T1002-21		1	876	1
315T1002-22		1	881	
		1	922A	1
315T1002-23		1	886	
		1	923A	1
315T1002-24		1	891	1
315T1002-27		1	876B	
		1	921A	1
315T1002-28		1	891B	
		1	924A	1
315T1002-29		1	921B	1
315T1002-3		1	885	
		1	923	1
315T1002-30		1	922B	1
315T1002-31		1	923B	1
315T1002-32		1	924B	1
315T1002-35		1	921C	1
315T1002-36		1	922C	1
315T1002-37		1	923C	1
315T1002-38		1	924C	1
315T1002-4		1	890	
		1	924	1
315T1013-1		1	850	
315T1013-2		1	860	
315T1015-1		2	48	1
315T1208-1		1	675	1
315T1208-2		1	680	1

78-31-15

ILLUSTRATED PARTS LIST
01.1 Page 1031
Nov 01/05

PART NUMBER	AIRLINE PART NO.	FIG.	ITEM	TTL REQ
315T1208-5001		1	687	1
315T1208-5002		1	697	1
315T1208-5003		1	693	1
315T1208-5004		1	703	1
315T1250-1		1	720	1
315T1250-3		1	750	1
315T1250-5		1	720A	1
315T1251-1		1	695	
		1	704K	12
315T1253-1		1	715	1
315T1253-2		1	707	1
315T1500-1		1	865A	1
315T1500-1SP		1	865	
315T1500-2		1	870A	1
315T1500-2SP		1	870	
315T1504-1		1	800	6
315T1504-2		1	790	6
315T1510-15		1	130	1
315T1510-16		1	135	1
315T1510-7		1	70	1
315T1510-8		1	75	1
315T1511-1		1	810	6
315T1511-2		1	825A	1
315T1511-3		1	825	
315T1512-1		1	355	1
315T1512-2		1	360	1
315T1512-5		1	380	1
315T1512-6		1	385	1
315T1512-7		1	395	1
315T1512-8		1	400	1
315T1529-10		1	95B	1
315T1529-10SP		1	95A	
315T1529-11		1	140B	1
315T1529-11SP		1	140A	
315T1529-12		1	145B	1
315T1529-12SP		1	145A	
315T1529-5SP		1	90	
315T1529-6SP		1	95	
315T1529-7SP		1	140	
315T1529-8SP		1	145	
315T1529-9		1	90B	1
315T1529-9SP		1	90A	
315T1530-5		1	30A	1
315T1530-5SP		1	30	
315T1530-6		1	35A	1
315T1530-6SP		1	35	
315T1530-7		1	80A	1

78-31-15

 ILLUSTRATED PARTS LIST
 01.1 Page 1032
 Nov 01/05

PART NUMBER	AIRLINE PART NO.	FIG.	ITEM	TTL REQ
315T1530-7SP		1	80	
315T1530-8		1	85A	1
315T1530-8SP		1	85	
315T1534-3		1	20A	1
315T1534-3SP		1	20	
315T1534-4		1	25A	1
315T1534-4SP		1	25	
315T1537-1		1	755	
315T1537-2		1	963	6
		1	755A	
		1	940B	6
		1	940C	6
		1	940E	6
315T1602-1		1	665	
		1	925	1
		3	1	RF
315T1602-101		1	940	
		1	944	
		1	960	1
		1	665A	
		1	925A	1
		1	925C	
		3	1A	RF
		3	1C	
315T1602-102		1	670A	
		1	930A	1
		1	930C	
		1	940A	
		1	944A	
		1	960A	1
		3	5A	RF
		3	5C	
315T1602-103		1	925B	
		3	1B	
315T1602-104		1	930B	
		3	5B	
315T1602-11		3	130	1
315T1602-2		1	670	
		1	930	1
		3	5	RF
315T1602-3		3	125	1
315T1602-5		3	135	1
315T1602-6		3	140	1
315T1602-7		3	145	1
315T1602-8		3	150	1
315T1604-1		1	405	1
		1	407	1

78-31-15

ILLUSTRATED PARTS LIST
01.1 Page 1033
Nov 01/05

PART NUMBER	AIRLINE PART NO.	FIG.	ITEM	TTL REQ
315T1604-2		1	405A	1
		1	407A	1
315T1604-3		8	70	1
315T1604-4		11	40	1
315T1604-5		1	405B	1
		1	407B	1
315T1605-1		1	535	1
315T1605-2		1	540	1
315T1605-3		1	570	2
315T1605-5		1	639	1
315T1605-5001		1	545A	1
315T1605-5002		1	550A	1
315T1605-5003		1	545	1
315T1605-5004		1	550	1
315T1605-5005		1	545B	1
315T1605-5006		1	550B	1
315T1605-5007		1	545C	1
315T1605-5008		1	550C	1
315T1605-5009		1	545D	1
315T1605-5010		1	550D	1
315T1605-5011		1	545E	1
315T1605-5012		1	550E	1
315T1606-1		1	575	1
315T1655-1		1	410	
		1	935	1
		5	1	RF
315T1655-2		1	415	
		1	936	1
		1	945A	
		1	961A	1
		5	5	RF
315T1655-3		1	945	
		1	961	1
		1	935A	1
		1	935B	1
		5	1A	RF
315T1657-1		1	931	1
		6	1	RF
315T1657-2		1	932	1
		6	5	RF
315T1657-3		6	110	1
315T1657-4		6	115	1
315T1657-5		6	100	1
315T1657-5001		6	7	1
315T1657-5002		6	8	1
315T1657-5003		6	7A	1
315T1657-5004		6	8A	1

78-31-15

 ILLUSTRATED PARTS LIST
 01.1 Page 1034
 Nov 01/05

PART NUMBER	AIRLINE PART NO.	FIG.	ITEM	TTL REQ
315T1657-6		6	105	1
315T1662-1		1	610	1
		1	610B	1
315T1662-11		1	610D	1
315T1662-12		1	615D	1
315T1662-2		1	615	1
		1	615B	1
315T1662-5		1	610A	1
		1	610E	1
315T1662-6		1	615A	1
		1	615E	1
315T1662-7		1	610C	1
315T1662-8		1	615C	1
315T1663-1		1	620A	1
315T1663-2		1	625A	1
315T1663-3		1	655A	1
315T1663-4		1	660A	1
315T1663-5		1	620	1
315T1663-6		1	625	1
315T1663-7		1	655	1
315T1663-8		1	660	1
315T1701-1		1	525	1
		2	1	RF
315T1701-2		1	530	1
		2	5	RF
315T1701-5		2	173	
315T1701-5001		2	7	1
315T1701-5002		2	8	1
315T1701-5003		2	7A	1
315T1701-5004		2	8A	1
315T1701-5005		2	7B	1
315T1701-5006		2	8B	1
315T1701-6		2	173A	1
315T1701-7		2	174	1
315T1702-5		2	305	1
315T1702-6		2	290	1
315T1703-1		1	150	1
315T1703-2		1	155	1
315T1703-3		1	250	1
315T1703-4		1	255	1
315T1704-1		1	260	1
315T1704-2		1	285	1
315T1704-3		1	290	1
315T1720-5		2	275	1
315T1720-6		2	280	1
315T1722-1		2	85	1
315T1722-10		2	90B	1

78-31-15

ILLUSTRATED PARTS LIST
01.1 Page 1035
Nov 01/05

PART NUMBER	AIRLINE PART NO.	FIG.	ITEM	TTL REQ
315T1722-11		2	155A	1
315T1722-12		2	160A	1
315T1722-2		2	90	1
315T1722-3		2	155	1
315T1722-4		2	160	1
315T1722-7		2	85A	1
315T1722-8		2	90A	1
315T1722-9		2	85B	1
315T1723-1		2	205	1
315T1724-1		2	175	1
315T1724-2		2	180	1
315T1730-1		2	210	1
		2	210C	1
315T1730-11		2	210B	1
315T1730-12		2	215B	1
315T1730-13		2	265A	1
315T1730-14		2	270A	1
315T1730-3		2	265	1
315T1730-4		2	270	1
315T1730-7		2	215	1
		2	215C	1
315T1730-8		2	215A	1
		2	215D	1
315T1730-9		2	210A	1
		2	210D	1
315T1732-1		2	255	1
315T1732-2		2	260	1
315T3154-31		6	130	1
315T3156-10		7	15	1
315T3156-11		7	55	1
315T3156-12		7	60	1
315T3156-13		7	95	1
315T3156-15		7	75	1
315T3156-3		1	937	1
		7	1	RF
315T3156-4		1	938	1
		7	5	RF
315T3156-9		7	10	1
315T3157-1		1	939	1
		8	1	RF
315T3157-10		8	20A	1
315T3157-2		8	60	1
		8	60A	1
315T3157-3		8	65	1
315T3157-6		8	20	1
315T3157-7		1	939A	1
		8	1A	RF

78-31-15

 ILLUSTRATED PARTS LIST
 01.1 Page 1036
 Nov 01/05

PART NUMBER	AIRLINE PART NO.	FIG.	ITEM	TTL REQ
315T3157-8		8	60B	1
315T3159-1		1	600C	1
		9	1	RF
315T3159-3		9	25	1
315T3202-114		6	155	1
315T3245-1		6	140	1
		7	20	1
		10	90	1
315T3245-2		6	150	1
		7	40	1
		10	100	1
315T3252-1		1	740	1
315T3252-2		1	740A	1
315T3517-1		1	815	2
315T3631-10		3	220	1
315T3631-4		3	215	1
315T3631-9		3	205	6
315T3633-26		3	225	6
315T3635-1		3	80	8
		3	85	6
315T3635-12		3	90	4
		3	95	2
315T3635-2		3	70	12
		3	75	8
315T3635-7		3	60	6
		3	65	8
315T3635-8		3	50	6
		3	55	8
315T3655-7		1	935C	1
		10	1	RF
315T3655-8		1	936A	1
		10	5	RF
315T3656-10		1	440	
		5	65	1
		10	25	1
315T3656-17		5	55	1
		10	20	1
315T3656-18		5	50	1
315T3656-19		5	40	1
315T3656-20		10	60	1
315T3656-21		10	65	1
315T3656-7		10	120	1
315T3656-8		10	125	1
315T3656-9		1	435	
		5	45	1
		5	60	1
315T3658-1		10	115	1

78-31-15

ILLUSTRATED PARTS LIST
01.1 Page 1037
Nov 01/05

PART NUMBER	AIRLINE PART NO.	FIG.	ITEM	TTL REQ
315T3658-10		10	110	1
315T3706-1		2	25	1
315T3706-2		2	30	1
315T3721-3		2	60	1
315T3721-4		2	65	1
315T3721-7		2	10	1
315T3721-8		2	80	1
315T3723-2		1	305	
315T3723-3		1	305A	2
315T4157-1		1	939B	1
		11	1	RF
315T4157-2		11	35	1
315T4716-1		3	198	1
		12	120	1
315T4716-2		3	199	1
		12	125	1
315T4717-1		3	197	1
		12	130	1
315T4725-10		1	967S	
		12	95	1
315T4725-15		1	1T	RF
315T4725-16		1	5N	RF
315T4725-17		1	10N	RF
315T4725-18		1	15T	RF
315T4725-19		1	1U	RF
315T4725-20		1	5P	RF
315T4725-21		1	10P	RF
315T4725-22		1	15U	RF
315T4725-23		1	1V	RF
315T4725-24		1	5Q	RF
315T4725-25		1	10Q	RF
315T4725-26		1	15V	RF
315T4725-27		1	1W	RF
315T4725-28		1	15W	RF
315T4725-29		1	1X	RF
315T4725-30		1	5R	RF
315T4725-31		1	10R	RF
315T4725-32		1	15X	RF
315T4725-33		1	1Y	RF
315T4725-34		1	5S	RF
315T4725-35		1	10S	RF
315T4725-36		1	15Y	RF
315T4725-37		1	2	RF
315T4725-38		1	5U	RF
315T4725-39		1	10U	RF
315T4725-40		1	14Q	RF
315T4725-41		1	2A	RF

78-31-15

 ILLUSTRATED PARTS LIST
 01.1 Page 1038
 Nov 01/05

PART NUMBER	AIRLINE PART NO.	FIG.	ITEM	TTL REQ
315T4725-42		1	5V	RF
315T4725-43		1	10V	RF
315T4725-44		1	14R	RF
315T4725-45		1	2B	RF
315T4725-46		1	5W	RF
315T4725-47		1	10W	RF
315T4725-48		1	14S	RF
315T4725-49		1	2C	RF
315T4725-50		1	5X	RF
315T4725-51		1	10X	RF
315T4725-52		1	14T	RF
315T4725-53		1	2D	RF
315T4725-54		1	5Y	RF
315T4725-55		1	10Y	RF
315T4725-56		1	14U	RF
315T4725-57		1	2E	RF
315T4725-58		1	5Z	RF
315T4725-59		1	10Z	RF
315T4725-6		3	117	1
315T4725-60		1	14V	RF
315T4725-61		1	2F	RF
315T4725-62		1	14W	RF
315T4725-63		1	1Z	RF
315T4725-64		1	5T	RF
315T4725-65		1	10T	RF
315T4725-66		1	15Z	RF
315T4725-67		1	2L	RF
315T4725-68		1	6A	RF
315T4725-69		1	11A	RF
315T4725-7		3	104	1
315T4725-70		1	14N	RF
315T4725-71		1	2G	RF
315T4725-72		1	14X	RF
315T4725-73		1	2H	RF
315T4725-74		1	14Y	RF
315T4725-75		1	2J	RF
315T4725-76		1	14Z	RF
315T4725-8		3	130A	1
315T4725-9		3	125A	1
31783-6		3	153A	2
325167		8	10	2
		9	35	1
35235V04		6	120	2
35235V06		3	152	2
4242100-12		3	155A	2
		3	155B	2
4242100-2		3	155	

78-31-15

PART NUMBER	AIRLINE PART NO.	FIG.	ITEM	TTL REQ
4242200-1		3	160	2
4242300-1		3	200	1
4690009-06J		3	195	1
4690009-12J		3	190	1
48-00R14-7P300		5	80	1
		10	45	1
509SS6		3	106	2
509S4		6	40	6
534CS102		12	25	2
		12	80	1
65407		1	445	
		1	450	
		5	30	1
		5	35	1
		10	50	1
65408		1	455	
		5	25	1
		10	55	1
66014-5		1	735	12
		7	30	4
66014-6		7	50	4
		7	70	2
		7	90	2
67067-8A12		2	20	1
67068-5A4		1	725	12
8-344-02		1	200	
		1	200A	
		1	200B	1
8-344-03		1	200B	1
8-527-01		1	200C	1
		12	5	1
9NS202101SE048		1	705A	1
9354-3		1	745	
		1	745A	1
95860M0140AAN		6	95	1
95860P0120CCN		3	185	1
95860P0150DDN		3	180	1
96-02		1	220	2
		3	109	1
		4	20	23
		6	20	5
		6	35	1
		12	20	12
		12	75	1
96-070		1	947	6
96854P0120CCN		3	185	1
96854P0150CCN		3	180A	1

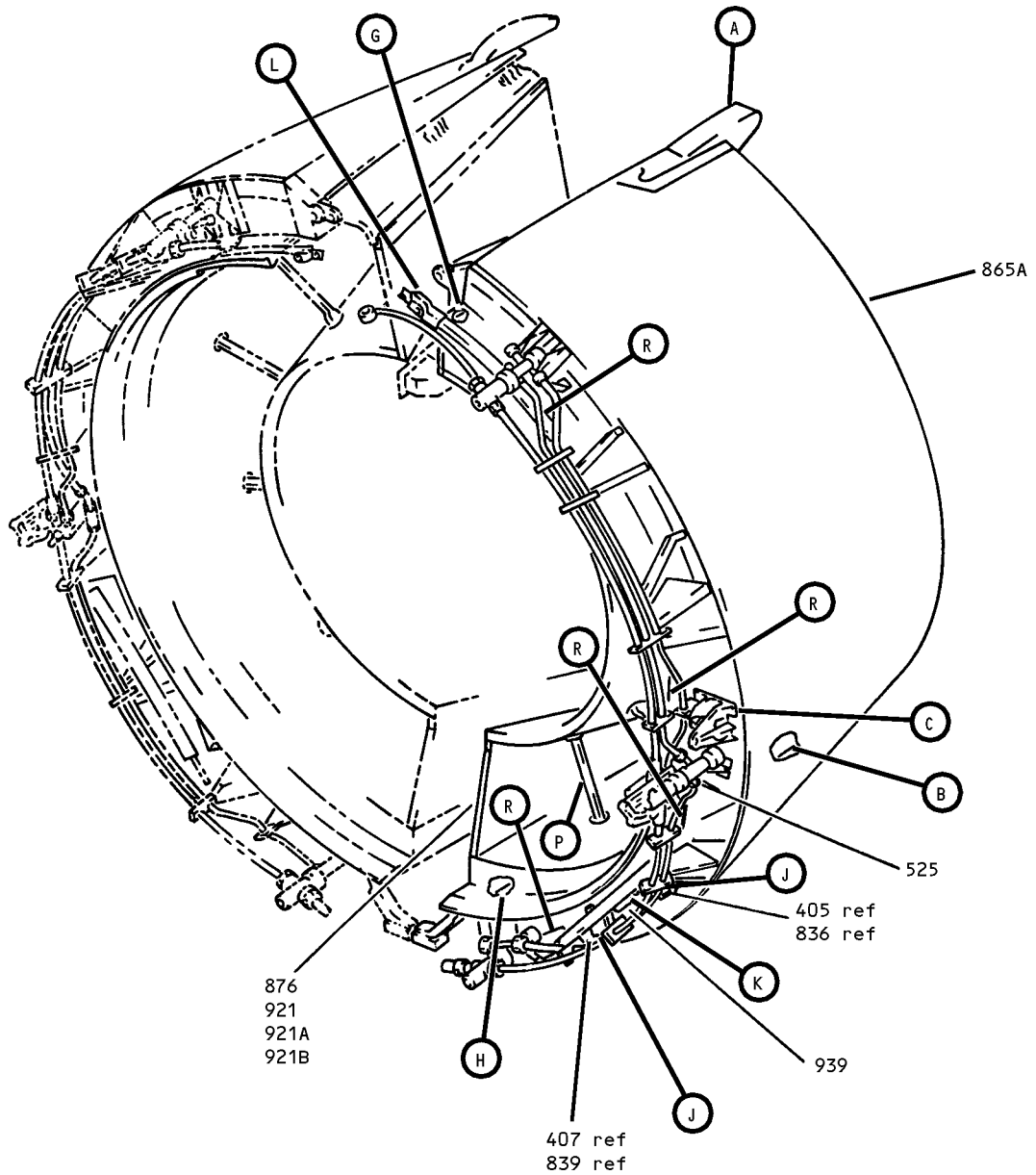
78-31-15

 ILLUSTRATED PARTS LIST
 01.1 Page 1040
 Nov 01/05

PART NUMBER	AIRLINE PART NO.	FIG.	ITEM	TTL REQ
96854P0150DDN		3	180	1
97-054		1	590A	1
97E02		3	45	16
		3	40G	18
		8	40	1
		11	30	1
97E48		1	705A	1

78-31-15

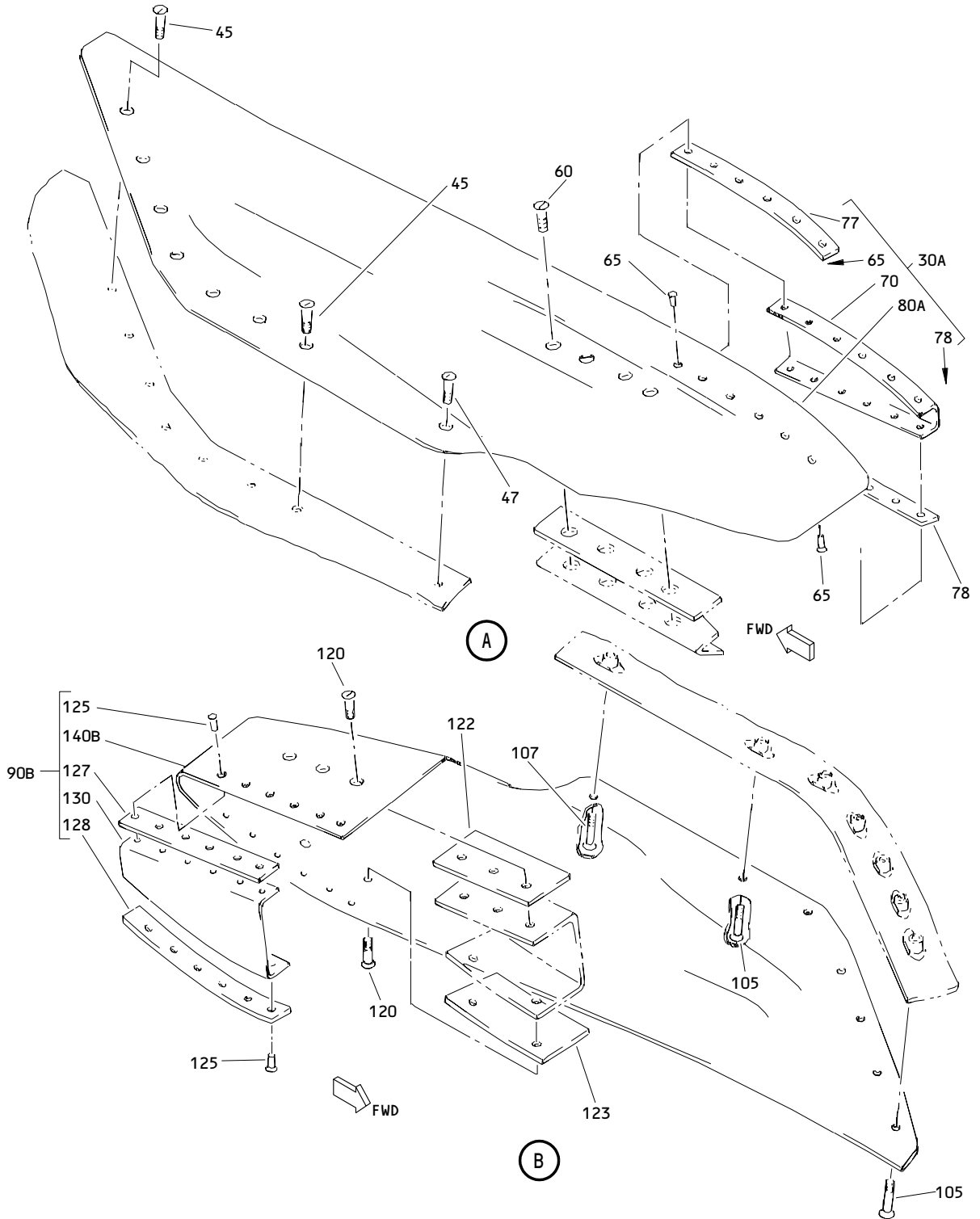
ILLUSTRATED PARTS LIST
01.1 Page 1040A
Nov 01/05



Fan Duct Cowl and Thrust Reverser Assembly
Figure 1 (Sheet 1)

78-31-15

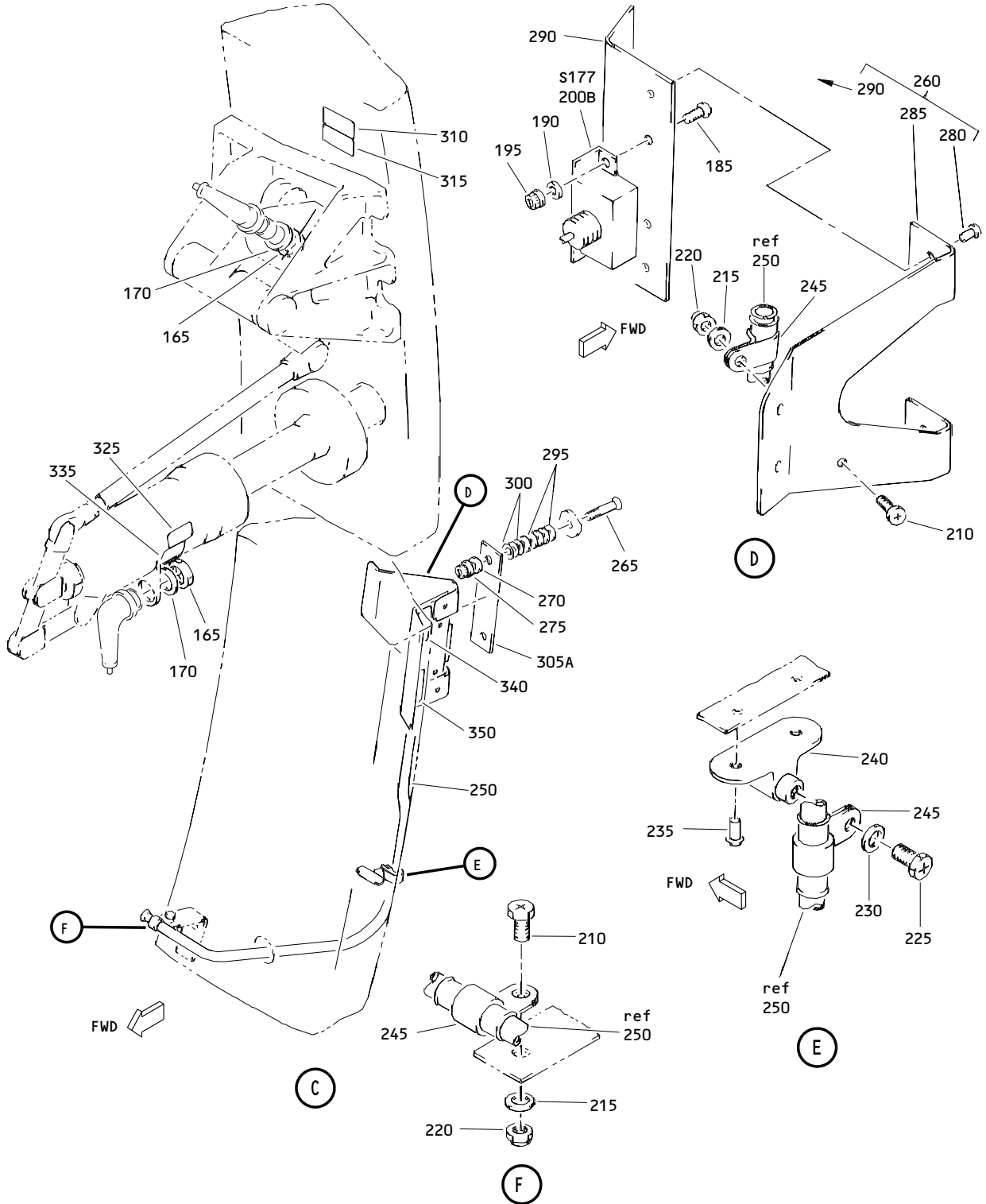
ILLUSTRATED PARTS LIST
01.1 Page 1040C
Jul 01/04



Fan Duct Cowl and Thrust Reverser Assembly
 Figure 1 (Sheet 2)

78-31-15

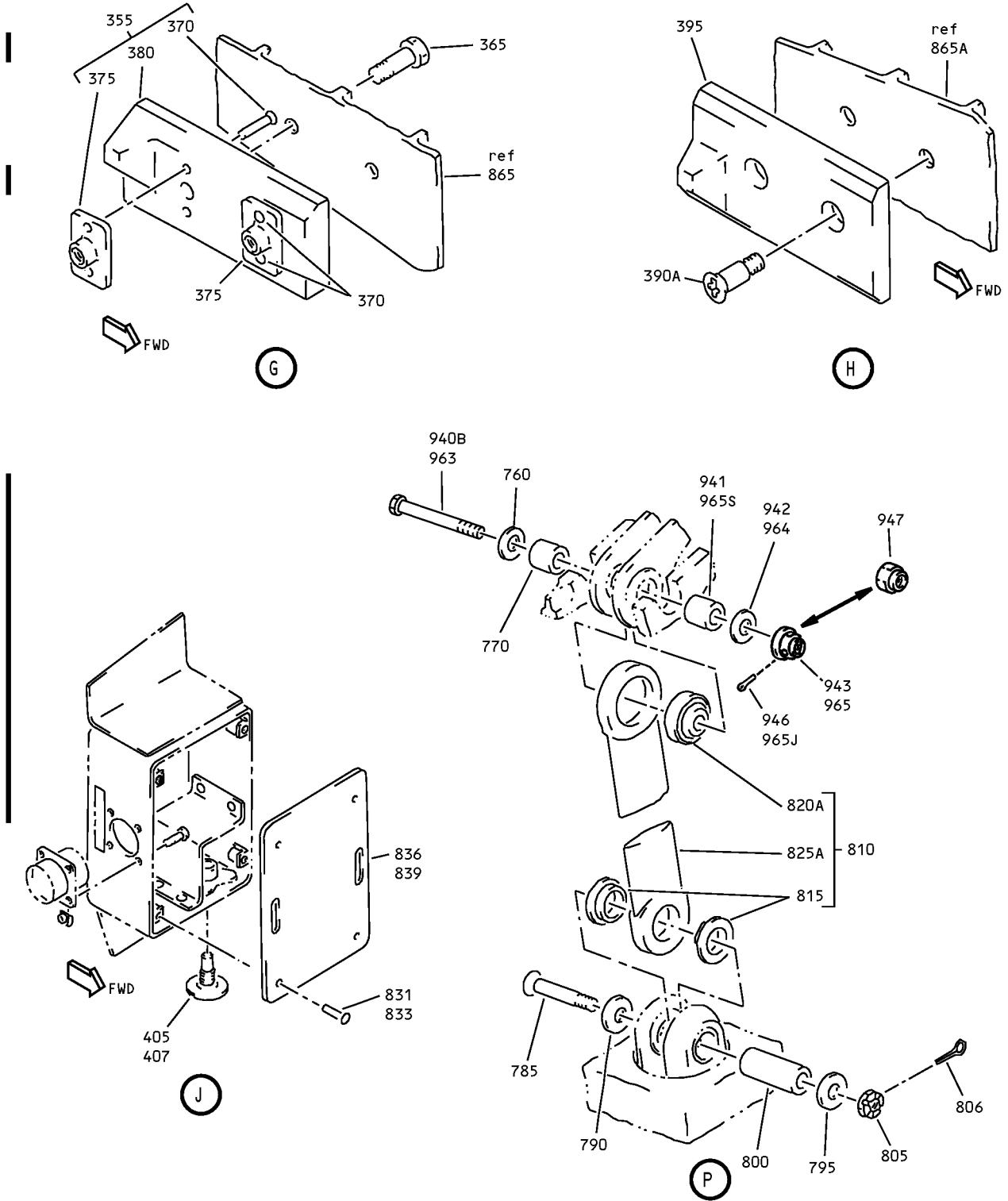
ILLUSTRATED PARTS LIST
 01.1 Page 1040D
 Jul 01/04



Fan Duct Cowl and Thrust Reverser Assembly
Figure 1 (Sheet 3)

78-31-15

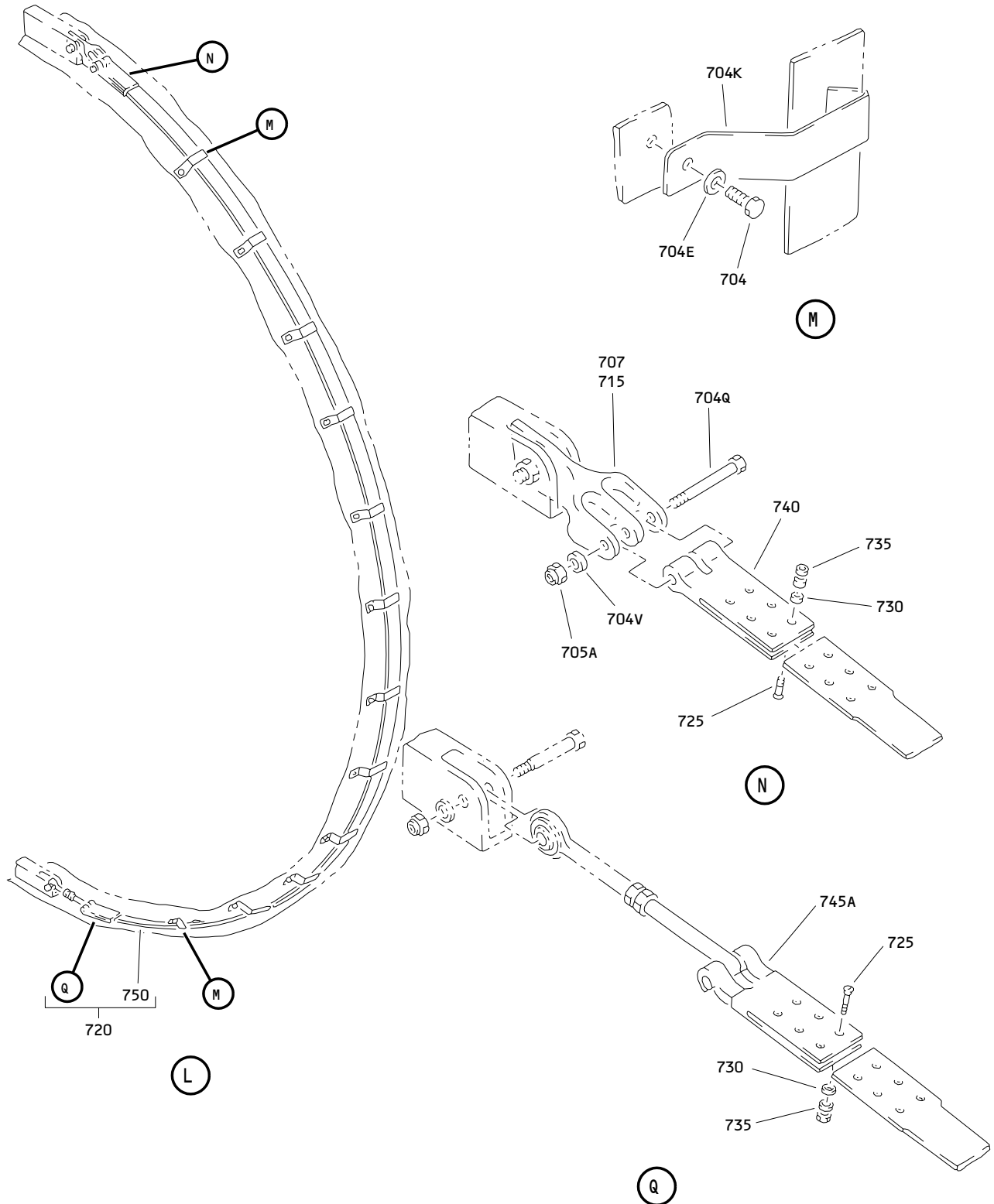
ILLUSTRATED PARTS LIST
01.1 Page 1040E
Jul 01/04



Fan Duct Cowl and Thrust Reverser Assembly
 Figure 1 (Sheet 4)

78-31-15

ILLUSTRATED PARTS LIST
 01.1 Page 1040F
 Jul 01/04



Fan Duct Cowl and Thrust Reverser Assembly
 Figure 1 (Sheet 6)

78-31-15

ILLUSTRATED PARTS LIST
 01.1 Page 1040H
 Jul 01/04



BOEING
COMPONENT
MAINTENANCE MANUAL

FIG. & ITEM	PART NO.	AIRLINE PART NUMBER	NOMENCLATURE 1234567	EFF CODE	QTY PER ASSY
01- -1 -1A	315T1001-1 315T1001-1SP		DELETED FAN DUCT COWL AND THRUST- REVERSER ASSY-LH SIDE LH ENG (PRE SB 767-78-11) (PRE SB 767-54A0028) (PRE SB 767-78-0060) (PRE SB 767-78-0004)	A	RF
-1B	315T1001-11SP		FAN DUCT COWL AND THRUST- REVERSER ASSY-LH SIDE LH ENG (PRE SB 767-78-11) (PRE SB 767-54A0028) (PRE SB 767-78-0060)	E	RF
-1C	315T1001-7SP		FAN DUCT COWL AND THRUST- REVERSER ASSY-LH SIDE LH ENG (PRE SB 767-78-11) (PRE SB 767-54A0028) (PRE SB 767-78-0060)	J	RF
-1D	315T1001-15SP		FAN DUCT COWL AND THRUST- REVERSER ASSY-LH SIDE LH ENG (PRE SB 767-78-11) (PRE SB 767-54A0028) (PRE SB 767-78-0060)	N	RF
-1E	315T1001-17SP		FAN DUCT COWL AND THRUST- REVERSER ASSY-LH SIDE LH ENG (PRE SB 767-54A0028) (PRE SB 767-78-0060)	Q	RF
-1F	315T1001-21SP		FAN DUCT COWL AND THRUST- REVERSER ASSY-LH SIDE LH ENG (VARIABLE) (PRE SB 767-54A0028) (PRE SB 767-78-0060)	U	RF
-1G	015T0131-5SP		FAN DUCT COWL AND THRUST- REVERSER ASSY-LH SIDE LH ENG (POST SB 767-78-11) (PRE SB 767-78-0060)	AQ	RF

78-31-15

ILLUSTRATED PARTS LIST
01.1 Page 1040I
Jul 01/04

FIG. & ITEM	PART NO.	AIRLINE PART NUMBER	NOMENCLATURE 1234567	EFF CODE	QTY PER ASSY
01- -1H	015T0131-9SP		FAN DUCT COWL AND THRUST- REVERSER ASSY-LH SIDE LH ENG (POST SB 767-78-11) (PRE SB 767-78-0060)	AR	RF
-1J	015T0131-7SP		FAN DUCT COWL AND THRUST- REVERSER ASSY-LH SIDE LH ENG (POST SB 767-78-11) (PRE SB 767-78-0060)	AS	RF
-1K	315T1001-25SP		FAN DUCT COWL AND THRUST- REVERSER ASSY-LH SIDE LH ENG (POST SB 767-54A0028) (PRE SB 767-78-0060)	Y	RF
-1L	315T1001-29SP		FAN DUCT COWL AND THRUST- REVERSER ASSY-LH SIDE LH ENG (REWORK) (PRE SB 767-78-0060)	Z	RF
-1M	315T1001-33SP		FAN DUCT COWL AND THRUST- REVERSER ASSY-LH SIDE LH ENG (VARIABLE) (PRE SB 767-78-0060)	AA	RF
-1N	315T1001-37SP		FAN DUCT COWL AND THRUST- REVERSER ASSY-LH SIDE LH ENG (VARIABLE) (POST SB 767-54A0028) (PRE SB 767-78-0060)	AB	RF
-1P	015T0442-33		FAN DUCT COWL AND THRUST- REVERSER ASSY-LH SIDE LH ENG (POST SB 767-54A0028) (PRE SB 767-78-0060)	AW	RF
-1Q	015T0442-41		FAN DUCT COWL AND THRUST- REVERSER ASSY-LH SIDE LH ENG (POST SB 767-54A0028) (PRE SB 767-78-0060)	AX	RF
-1R	015T0442-37		FAN DUCT COWL AND THRUST- REVERSER ASSY-LH SIDE LH ENG (POST SB 767-54A0028) (PRE SB 767-78-0060)	AY	RF

78-31-15

 ILLUSTRATED PARTS LIST
 01.1 Page 1040J
 Jul 01/04



BOEING
COMPONENT
MAINTENANCE MANUAL

FIG. & ITEM	PART NO.	AIRLINE PART NUMBER	NOMENCLATURE 1234567	EFF CODE	QTY PER ASSY
01- -1S	015T0442-45		FAN DUCT COWL AND THRUST- REVERSER ASSY-LH SIDE LH ENG (POST SB 767-54A0028) (PRE SB 767-78-0060)	AZ	RF
-1T	315T4725-15		FAN DUCT COWL AND THRUST- REVERSER ASSY-LH SIDE LH ENG (POST SB 767-78-0060)	BL	RF
-1U	315T4725-19		FAN DUCT COWL AND THRUST- REVERSER ASSY-LH SIDE LH ENG (POST SB 767-78-0060)	BQ	RF
-1V	315T4725-23		FAN DUCT COWL AND THRUST- REVERSER ASSY-LH SIDE LH ENG (POST SB 767-78-0060)	BU	RF
-1W	315T4725-27		FAN DUCT COWL AND THRUST- REVERSER ASSY-LH SIDE LH ENG (POST SB 767-78-0060)	BY	RF
-1X	315T4725-29		FAN DUCT COWL AND THRUST- REVERSER ASSY-LH SIDE LH ENG (POST SB 767-78-0060)	CA	RF
-1Y	315T4725-33		FAN DUCT COWL AND THRUST- REVERSER ASSY-LH SIDE LH ENG (POST SB 767-78-0060)	CE	RF
-1Z	315T4725-63		FAN DUCT COWL AND THRUST- REVERSER ASSY-LH SIDE LH ENG (POST SB 767-78-0060)	CJ	RF
-2	315T4725-37		FAN DUCT COWL AND THRUST- REVERSER ASSY-LH SIDE LH ENG (POST SB 767-78-0060)	CN	RF
-2A	315T4725-41		FAN DUCT COWL AND THRUST- REVERSER ASSY-LH SIDE LH ENG (POST SB 767-78-0060)	CS	RF
-2B	315T4725-45		FAN DUCT COWL AND THRUST- REVERSER ASSY-LH SIDE LH ENG (POST SB 767-78-0060)	CW	RF

78-31-15

ILLUSTRATED PARTS LIST
01.1 Page 1040K
Jul 01/04

FIG. & ITEM	PART NO.	AIRLINE PART NUMBER	NOMENCLATURE 1234567	EFF CODE	QTY PER ASSY
01- -2C	315T4725-49		FAN DUCT COWL AND THRUST- REVERSER ASSY-LH SIDE LH ENG (POST SB 767-78-0060)	DA	RF
-2D	315T4725-53		FAN DUCT COWL AND THRUST- REVERSER ASSY-LH SIDE LH ENG (POST SB 767-78-0060)	DE	RF
-2E	315T4725-57		FAN DUCT COWL AND THRUST- REVERSER ASSY-LH SIDE LH ENG (POST SB 767-78-0060)	DJ	RF
-2F	315T4725-61		FAN DUCT COWL AND THRUST- REVERSER ASSY-LH SIDE LH ENG (POST SB 767-78-0060)	DN	RF
-2G	315T4725-71		FAN DUCT COWL AND THRUST- REVERSER ASSY-LH SIDE LH ENG (POST SB 767-78-0060)	DQ	RF
-2H	315T4725-73		FAN DUCT COWL AND THRUST- REVERSER ASSY-LH SIDE LH ENG (POST SB 767-78-0060)	DS	RF
-2J	315T4725-75		FAN DUCT COWL AND THRUST- REVERSER ASSY-LH SIDE LH ENG (POST SB 767-78-0060)	DU	RF
-2K	015T0094-11		FAN DUCT COWL AND THRUST- REVERSER ASSY-LH SIDE LH ENG (POST SB 767-78-0004) (PRE SB 767-78-0060)	DW	RF
-2L	315T4725-67		FAN DUCT COWL AND THRUST- REVERSER ASSY-LH SIDE LH ENG (POST SB 767-78-0060)	EA	RF
-5 -5A	315T1001-2 315T1001-2SP		DELETED FAN DUCT COWL AND THRUST- REVERSER ASSY-RH SIDE LH ENG (PRE SB 767-54A0028) (PRE SB 767-78-0060) (PRE SB 767-78-0004)	B	RF

78-31-15

 ILLUSTRATED PARTS LIST
 01.1 Page 1040L
 Jul 01/04



BOEING
COMPONENT
MAINTENANCE MANUAL

FIG. & ITEM	PART NO.	AIRLINE PART NUMBER	NOMENCLATURE 1234567	EFF CODE	QTY PER ASSY
01- -5B	315T1001-12SP		FAN DUCT COWL AND THRUST- REVERSER ASSY-RH SIDE LH ENG (PRE SB 767-54A0028) (PRE SB 767-78-0060)	F	RF
-5C	315T1001-8SP		FAN DUCT COWL AND THRUST- REVERSER ASSY-RH SIDE LH ENG (PRE SB 767-54A0028) (PRE SB 767-78-0060)	K	RF
-5D	315T1001-18SP		FAN DUCT COWL AND THRUST- REVERSER ASSY-RH SIDE LH ENG (PRE SB 767-54A0028) (PRE SB 767-78-0060)	R	RF
-5E	315T1001-22SP		FAN DUCT COWL AND THRUST- REVERSER ASSY-RH SIDE LH ENG (VARIABLE) (PRE SB 767-54A0028) (PRE SB 767-78-0060)	V	RF
-5F	315T1001-26SP		FAN DUCT COWL AND THRUST- REVERSER ASSY-RH SIDE LH ENG (POST SB 767-54A0028) (PRE SB 767-78-0060)	AC	RF
-5G	315T1001-30SP		FAN DUCT COWL AND THRUST- REVERSER ASSY-RH SIDE LH ENG (REWORK) (PRE SB 767-78-0060)	AD	RF
-5H	315T1001-34SP		FAN DUCT COWL AND THRUST- REVERSER ASSY-RH SIDE LH ENG (VARIABLE) (PRE SB 767-78-0060)	AE	RF
-5J	315T1001-38SP		FAN DUCT COWL AND THRUST- REVERSER ASSY-RH SIDE LH ENG (VARIABLE) (POST SB 767-54A0028) (PRE SB 767-78-0060)	AF	RF
-5K	015T0442-34		FAN DUCT COWL AND THRUST- REVERSER ASSY-RH SIDE LH ENG (POST SB 767-54A0028) (PRE SB 767-78-0060)	BA	RF

78-31-15

ILLUSTRATED PARTS LIST
01.1 Page 1040M
Jul 01/04

FIG. & ITEM	PART NO.	AIRLINE PART NUMBER	NOMENCLATURE 1234567	EFF CODE	QTY PER ASSY
01-5L	015T0442-42		FAN DUCT COWL AND THRUST-REVERSER ASSY-RH SIDE LH ENG (POST SB 767-54A0028) (PRE SB 767-78-0060)	BB	RF
-5M	015T0442-38		FAN DUCT COWL AND THRUST-REVERSER ASSY-RH SIDE LH ENG (POST SB 767-54A0028) (PRE SB 767-78-0060)	BC	RF
-5N	315T4725-16		FAN DUCT COWL AND THRUST-REVERSER ASSY-RH SIDE LH ENG (POST SB 767-78-0060)	BM	RF
-5P	315T4725-20		FAN DUCT COWL AND THRUST-REVERSER ASSY-RH SIDE LH ENG (POST SB 767-78-0060)	BR	RF
-5Q	315T4725-24		FAN DUCT COWL AND THRUST-REVERSER ASSY-RH SIDE LH ENG (POST SB 767-78-0060)	BV	RF
-5R	315T4725-30		FAN DUCT COWL AND THRUST-REVERSER ASSY-RH SIDE LH ENG (POST SB 767-78-0060)	CB	RF
-5S	315T4725-34		FAN DUCT COWL AND THRUST-REVERSER ASSY-RH SIDE LH ENG (POST SB 767-78-0060)	CF	RF
-5T	315T4725-64		FAN DUCT COWL AND THRUST-REVERSER ASSY-RH SIDE LH ENG (POST SB 767-78-0060)	CK	RF
-5U	315T4725-38		FAN DUCT COWL AND THRUST-REVERSER ASSY-RH SIDE LH ENG (POST SB 767-78-0060)	CP	RF
-5V	315T4725-42		FAN DUCT COWL AND THRUST-REVERSER ASSY-RH SIDE LH ENG (POST SB 767-78-0060)	CT	RF

78-31-15

 ILLUSTRATED PARTS LIST
 01.1 Page 1040N
 Jul 01/04

 **BOEING**
COMPONENT
MAINTENANCE MANUAL

FIG. & ITEM	PART NO.	AIRLINE PART NUMBER	NOMENCLATURE 1234567	EFF CODE	QTY PER ASSY
01- -5W	315T4725-46		FAN DUCT COWL AND THRUST- REVERSER ASSY-RH SIDE LH ENG (POST SB 767-78-0060)	CX	RF
-5X	315T4725-50		FAN DUCT COWL AND THRUST- REVERSER ASSY-RH SIDE LH ENG (POST SB 767-78-0060)	DB	RF
-5Y	315T4725-54		FAN DUCT COWL AND THRUST- REVERSER ASSY-RH SIDE LH ENG (POST SB 767-78-0060)	DF	RF
-5Z	315T4725-58		FAN DUCT COWL AND THRUST- REVERSER ASSY-RH SIDE LH ENG (POST SB 767-78-0060)	DK	RF
-6	015T0094-12		FAN DUCT COWL AND THRUST- REVERSER ASSY-RH SIDE LH ENG (POST SB 767-78-0060)	DX	RF
-6A	315T4725-68		FAN DUCT COWL AND THRUST- REVERSER ASSY-RH SIDE LH ENG (PRE SB 767-78-0004) (POST SB 767-78-0060)	EB	RF
-10 -10A	315T1001-3 315T1001-3SP		DELETED FAN DUCT COWL AND THRUST- REVERSER ASSY-LH SIDE RH ENG (PRE SB 767-54A0028) (PRE SB 767-78-0060) (PRE SB 767-78-0004)	C	RF
-10B	315T1001-13SP		FAN DUCT COWL AND THRUST- REVERSER ASSY-LH SIDE RH ENG (PRE SB 767-54A0028) (PRE SB 767-78-0060)	G	RF
-10C	315T1001-9SP		FAN DUCT COWL AND THRUST- REVERSER ASSY-LH SIDE RH ENG (PRE SB 767-54A0028) (PRE SB 767-78-0060)	L	RF

78-31-15

ILLUSTRATED PARTS LIST
01.1 Page 10400
Jul 01/04

FIG. & ITEM	PART NO.	AIRLINE PART NUMBER	NOMENCLATURE 1234567	EFF CODE	QTY PER ASSY
01- -10D	315T1001-19SP		FAN DUCT COWL AND THRUST- REVERSER ASSY-LH SIDE RH ENG (PRE SB 767-54A0028) (PRE SB 767-78-0060)	S	RF
-10E	315T1001-23SP		FAN DUCT COWL AND THRUST- REVERSER ASSY-LH SIDE RH ENG (VARIABLE) (PRE SB 767-54A0028) (PRE SB 767-78-0060)	W	RF
-10F	315T1001-27SP		FAN DUCT COWL AND THRUST- REVERSER ASSY-LH SIDE RH ENG (POST SB 767-54A0028) (PRE SB 767-78-0060)	AG	RF
-10G	315T1001-31SP		FAN DUCT COWL AND THRUST- REVERSER ASSY-LH SIDE RH ENG (REWORK) (PRE SB 767-78-0060)	AH	RF
-10H	315T1001-35SP		FAN DUCT COWL AND THRUST- REVERSER ASSY-LH SIDE RH ENG (VARIABLE) (PRE SB 767-78-0060)	AJ	RF
-10J	315T1001-39SP		FAN DUCT COWL AND THRUST- REVERSER ASSY-LH SIDE RH ENG (VARIABLE) (POST SB 767-54A0028) (PRE SB 767-78-0060)	AK	RF
-10K	015T0442-35		FAN DUCT COWL AND THRUST- REVERSER ASSY-LH SIDE RH ENG (POST SB 767-54A0028) (PRE SB 767-78-0060)	BD	RF
-10L	015T0442-43		FAN DUCT COWL AND THRUST- REVERSER ASSY-LH SIDE RH ENG (POST SB 767-54A0028) (PRE SB 767-78-0060)	BE	RF
-10M	015T0442-39		FAN DUCT COWL AND THRUST- REVERSER ASSY-LH SIDE RH ENG (POST SB 767-54A0028) (PRE SB 767-78-0060)	BF	RF

78-31-15

 ILLUSTRATED PARTS LIST
 01.1 Page 1040P
 Jul 01/04



BOEING
COMPONENT
MAINTENANCE MANUAL

FIG. & ITEM	PART NO.	AIRLINE PART NUMBER	NOMENCLATURE 1234567	EFF CODE	QTY PER ASSY
01- -10N	315T4725-17		FAN DUCT COWL AND THRUST- REVERSER ASSY-LH SIDE RH ENG (POST SB 767-78-0060)	BN	RF
-10P	315T4725-21		FAN DUCT COWL AND THRUST- REVERSER ASSY-LH SIDE RH ENG (POST SB 767-78-0060)	BS	RF
-10Q	315T4725-25		FAN DUCT COWL AND THRUST- REVERSER ASSY-LH SIDE RH ENG (POST SB 767-78-0060)	BW	RF
-10R	315T4725-31		FAN DUCT COWL AND THRUST- REVERSER ASSY-LH SIDE RH ENG (POST SB 767-78-0060)	CC	RF
-10S	315T4725-35		FAN DUCT COWL AND THRUST- REVERSER ASSY-LH SIDE RH ENG (POST SB 767-78-0060)	CG	RF
-10T	315T4725-65		FAN DUCT COWL AND THRUST- REVERSER ASSY-LH SIDE RH ENG (POST SB 767-78-0060)	CL	RF
-10U	315T4725-39		FAN DUCT COWL AND THRUST- REVERSER ASSY-LH SIDE RH ENG (POST SB 767-78-0060)	CQ	RF
-10V	315T4725-43		FAN DUCT COWL AND THRUST- REVERSER ASSY-LH SIDE RH ENG (POST SB 767-78-0060)	CU	RF
-10W	315T4725-47		FAN DUCT COWL AND THRUST- REVERSER ASSY-LH SIDE RH ENG (POST SB 767-78-0060)	CY	RF
-10X	315T4725-51		FAN DUCT COWL AND THRUST- REVERSER ASSY-LH SIDE RH ENG (POST SB 767-78-0060)	DC	RF
-10Y	315T4725-55		FAN DUCT COWL AND THRUST- REVERSER ASSY-LH SIDE RH ENG (POST SB 767-78-0060)	DG	RF

78-31-15

ILLUSTRATED PARTS LIST
01.1 Page 1040Q
Jul 01/04

FIG. & ITEM	PART NO.	AIRLINE PART NUMBER	NOMENCLATURE 1234567	EFF CODE	QTY PER ASSY
01- -10Z	315T4725-59		FAN DUCT COWL AND THRUST- REVERSER ASSY-LH SIDE RH ENG (POST SB 767-78-0060)	DL	RF
-11	015T0094-13		FAN DUCT COWL AND THRUST- REVERSER ASSY-LH SIDE RH ENG (POST SB 767-78-0004) (PRE SB 767-78-0060)	DY	RF
-11A	315T4725-69		FAN DUCT COWL AND THRUST- REVERSER ASSY-LH SIDE RH ENG (POST SB 767-78-0060)	EC	RF
-11N -14N	315T1001-37SP 315T4725-70		DELETED FAN DUCT COWL AND THRUST- REVERSER ASSY-RH SIDE RH ENG (POST SB 767-78-0060)	ED	RF
-14P	015T0094-14		FAN DUCT COWL AND THRUST- REVERSER ASSY-RH SIDE RH ENG (POST SB 767-78-0004) (PRE SB 767-78-0060)	DZ	RF
-14Q	315T4725-40		FAN DUCT COWL AND THRUST- REVERSER ASSY-RH SIDE RH ENG (POST SB 767-78-0060)	CR	RF
-14R	315T4725-44		FAN DUCT COWL AND THRUST- REVERSER ASSY-RH SIDE RH ENG (POST SB 767-78-0060)	CV	RF
-14S	315T4725-48		FAN DUCT COWL AND THRUST- REVERSER ASSY-RH SIDE RH ENG (POST SB 767-78-0060)	CZ	RF
-14T	315T4725-52		FAN DUCT COWL AND THRUST- REVERSER ASSY-RH SIDE RH ENG (POST SB 767-78-0060)	DD	RF
-14U	315T4725-56		FAN DUCT COWL AND THRUST- REVERSER ASSY-RH SIDE RH ENG (POST SB 767-78-0060)	DH	RF

78-31-15

 ILLUSTRATED PARTS LIST
 01.1 Page 1040R
 Jul 01/04



BOEING
COMPONENT
MAINTENANCE MANUAL

FIG. & ITEM	PART NO.	AIRLINE PART NUMBER	NOMENCLATURE 1234567	EFF CODE	QTY PER ASSY
01- -14V	315T4725-60		FAN DUCT COWL AND THRUST- REVERSER ASSY-RH SIDE RH ENG (POST SB 767-78-0060)	DM	RF
-14W	315T4725-62		FAN DUCT COWL AND THRUST- REVERSER ASSY-RH SIDE RH ENG (POST SB 767-78-0060)	DP	RF
-14X	315T4725-72		FAN DUCT COWL AND THRUST- REVERSER ASSY-RH SIDE RH ENG (POST SB 767-78-0060)	DR	RF
-14Y	315T4725-74		FAN DUCT COWL AND THRUST- REVERSER ASSY-RH SIDE RH ENG (POST SB 767-78-0060)	DT	RF
-14Z	315T4725-76		FAN DUCT COWL AND THRUST- REVERSER ASSY-RH SIDE RH ENG (POST SB 767-78-0060)	DV	RF
-15 -15A	315T1001-4 315T1001-4SP		DELETED FAN DUCT COWL AND THRUST- REVERSER ASSY-RH SIDE RH ENG (PRE SB 767-78-11) (PRE SB 767-54A0028) (PRE SB 767-78-0060) (PRE SB 767-78-0004)	D	RF
-15B	315T1001-14SP		FAN DUCT COWL AND THRUST- REVERSER ASSY-RH SIDE RH ENG (PRE SB 767-78-11) (PRE SB 767-54A0028) (PRE SB 767-78-0060)	H	RF
-15C	315T1001-10SP		FAN DUCT COWL AND THRUST- REVERSER ASSY-RH SIDE RH ENG (PRE SB 767-78-11) (PRE SB 767-54A0028) (PRE SB 767-78-0060)	M	RF
-15D	315T1001-16SP		FAN DUCT COWL AND THRUST- REVERSER ASSY-RH SIDE RH ENG (PRE SB 767-54A0028) (PRE SB 767-78-0060)	P	RF

78-31-15

ILLUSTRATED PARTS LIST
01.1 Page 1040S
Jul 01/04

FIG. & ITEM	PART NO.	AIRLINE PART NUMBER	NOMENCLATURE 1234567	EFF CODE	QTY PER ASSY
01- -15E	315T1001-20SP		FAN DUCT COWL AND THRUST- REVERSER ASSY-RH SIDE RH ENG (PRE SB 767-54A0028) (PRE SB 767-78-0060)	T	RF
-15F	315T1001-24SP		FAN DUCT COWL AND THRUST- REVERSER ASSY-RH SIDE RH ENG (VARIABLE) (PRE SB 767-54A0028) (PRE SB 767-78-0060)	X	RF
-15G	015T0131-6SP		FAN DUCT COWL AND THRUST- REVERSER ASSY-RH SIDE RH ENG (POST SB 767-78-11) (PRE SB 767-78-0060)	AT	RF
-15H	015T0131-10SP		FAN DUCT COWL AND THRUST- REVERSER ASSY-RH SIDE RH ENG (POST SB 767-78-11) (PRE SB 767-78-0060)	AU	RF
-15J	015T0131-8SP		FAN DUCT COWL AND THRUST- REVERSER ASSY-RH SIDE RH ENG (POST SB 767-78-11) (PRE SB 767-78-0060)	AV	RF
-15K	315T1001-28SP		FAN DUCT COWL AND THRUST- REVERSER ASSY-RH SIDE RH ENG (POST SB 767-54A0028) (PRE SB 767-78-0060)	AL	RF
-15L	315T1001-32SP		FAN DUCT COWL AND THRUST- REVERSER ASSY-RH SIDE RH ENG (REWORK) (PRE SB 767-78-0060)	AM	RF
-15M	315T1001-36SP		FAN DUCT COWL AND THRUST- REVERSER ASSY-RH SIDE RH ENG (VARIABLE) (PRE SB 767-78-0060)	AN	RF
-15N	315T1001-40SP		FAN DUCT COWL AND THRUST- REVERSER ASSY-RH SIDE RH ENG (VARIABLE) (POST SB 767-54A0028) (PRE SB 767-78-0060)	AP	RF

78-31-15

 ILLUSTRATED PARTS LIST
 01.1 Page 1040T
 Jul 01/04

 **BOEING**
COMPONENT
MAINTENANCE MANUAL

FIG. & ITEM	PART NO.	AIRLINE PART NUMBER	NOMENCLATURE 1234567	EFF CODE	QTY PER ASSY
01- -15P	015T0442-36		FAN DUCT COWL AND THRUST- REVERSER ASSY-RH SIDE RH ENG (POST SB 767-54A0028) (PRE SB 767-78-0060)	BG	RF
-15Q	015T0442-44		FAN DUCT COWL AND THRUST- REVERSER ASSY-RH SIDE RH ENG (POST SB 767-54A0028) (PRE SB 767-78-0060)	BH	RF
-15R	015T0442-40		FAN DUCT COWL AND THRUST- REVERSER ASSY-RH SIDE RH ENG (POST SB 767-54A0028) (PRE SB 767-78-0060)	BJ	RF
-15S	015T0442-46		FAN DUCT COWL AND THRUST- REVERSER ASSY-RH SIDE RH ENG (POST SB 767-54A0028) (PRE SB 767-78-0060)	BK	RF
-15T	315T4725-18		FAN DUCT COWL AND THRUST- REVERSER ASSY-RH SIDE RH ENG (POST SB 767-78-0060)	BP	RF
-15U	315T4725-22		FAN DUCT COWL AND THRUST- REVERSER ASSY-RH SIDE RH ENG (POST SB 767-78-0060)	BT	RF
-15V	315T4725-26		FAN DUCT COWL AND THRUST- REVERSER ASSY-RH SIDE RH ENG (POST SB 767-78-0060)	BX	RF
-15W	315T4725-28		FAN DUCT COWL AND THRUST- REVERSER ASSY-RH SIDE RH ENG (POST SB 767-78-0060)	BZ	RF
-15X	315T4725-32		FAN DUCT COWL AND THRUST- REVERSER ASSY-RH SIDE RH ENG (POST SB 767-78-0060)	CD	RF
-15Y	315T4725-36		FAN DUCT COWL AND THRUST- REVERSER ASSY-RH SIDE RH ENG (PRE SB 767-78-0060)	CH	RF

78-31-15

ILLUSTRATED PARTS LIST
01.1 Page 1040U
Jul 01/04

FIG. & ITEM	PART NO.	AIRLINE PART NUMBER	NOMENCLATURE 1234567	EFF CODE	QTY PER ASSY
01- -15Z	315T4725-66		FAN DUCT COWL AND THRUST- REVERSER ASSY-RH SIDE RH ENG (POST SB 767-78-0060)	CM	RF
-16	315T1001-7001		.COLLECTOR-COMMON POINT	A, E, J , N, Q, U, Y-A B, A Q-AS AW-AZ , BL, B Q, BU, BY, CA , CE CJ, CN , CS, C W, DA, DE, DJ , DQ DS, DU , DW, EA	1
-17	315T1001-7002		.COLLECTOR-COMMON POINT	B, F, K , R, V, AC-AF , BA-B C, BM BR, BV , CB, C F, CK, CP, CT , CX DB, DF , DK, D X, EB	1

78-31-15

 ILLUSTRATED PARTS LIST
 01.1 Page 1040V
 Jul 01/04

 **BOEING**
COMPONENT
MAINTENANCE MANUAL

FIG. & ITEM	PART NO.	AIRLINE PART NUMBER	NOMENCLATURE 1234567	EFF CODE	QTY PER ASSY
01- -18	315T1001-7003		.COLLECTOR-COMMON POINT	C,G,L ,S,W AG-AK ,BD-B F,BN BS,BW ,CC,C G,CL, CQ,CU ,CY DC,DG ,DL,D N,DY, EC	1
-19	315T1001-7004		.COLLECTOR-COMMON POINT	D,H,M ,P,T, X,A L-AP, AT-AV BG-BK ,BP,B T,BX, BZ,CD ,CH CM,CR ,CV,C Z,DD, DH,DM ,DP DR,DT ,DV,D Z,ED	1

78-31-15

ILLUSTRATED PARTS LIST
01.1 Page 1040W
Jul 01/04

FIG. & ITEM	PART NO.	AIRLINE PART NUMBER	NOMENCLATURE	EFF CODE	QTY PER ASSY
01- -20 -20A	315T1534-3SP 315T1534-3		1234567 DELETED ..FAIRING INSTL-TRACK	A,C,E ,G,J, L,N,Q ,S,U, W Y-AB, AG-AK ,AQ-A S,A W-AZ BD-BF ,BL,B N,BQ, BS,BU ,BW BY,CA ,CC,C E,CG, CJ,CL ,CN CQ,CS ,CU,C W,CY, DA,DC ,DE DG,DJ ,DL,D N,DQ, DS,DU ,DW DY,EA ,EC	1

78-31-15

ILLUSTRATED PARTS LIST
01.1 Page 1040X
Jul 01/04

 **BOEING**
COMPONENT
MAINTENANCE MANUAL

FIG. & ITEM	PART NO.	AIRLINE PART NUMBER	NOMENCLATURE	EFF CODE	QTY PER ASSY
01- -25 -25A	315T1534-4SP 315T1534-4		1234567 DELETED ..FAIRING INSTL-TRACK	B,D,F ,H,K, M,P,R ,T,V, X AC-AF ,AL-A P,A T-AV, BA-BC BG-BK ,BM,B P,BR, BT,BV ,BX BZ,CB ,CD,C F,CH, CK,CM ,CP CR,CT ,CV,C X,CZ, DB,DD ,DF DH,DK ,DM,D P,DR, DT,DV ,DX DZ,EB ,ED	1

78-31-15

ILLUSTRATED PARTS LIST
01.1 Page 1040Y
Jul 01/04

FIG. & ITEM	PART NO.	AIRLINE PART NUMBER	NOMENCLATURE	EFF CODE	QTY PER ASSY
01-30 30A	315T1530-5SP 315T1530-5		1234567 DELETED ...FAIRING ASSY-UPR	A,C,E ,G,J, L,N,Q ,S,U, W Y-AB, AG-AK ,AQ-A S,A W-AZ BD-BF ,BL,B N,BQ, BS,BU ,BW BY,CA ,CC,C E,CG, CJ,CL ,CN CQ,CS ,CU,C W,CY, DA,DC ,DE DG,DJ ,DL,D N,DQ, DS,DU ,DW DY,EA ,EC	1

78-31-15

 ILLUSTRATED PARTS LIST
 01.1 Page 1040Z
 Jul 01/04

BOEING
COMPONENT
MAINTENANCE MANUAL

FIG. & ITEM	PART NO.	AIRLINE PART NUMBER	NOMENCLATURE	EFF CODE	QTY PER ASSY
01- -35 -35A	315T1530-6SP 315T1530-6		1234567 DELETED ...FAIRING ASSY-UPR	B,D,F ,H,K, M,P,R ,T,V, X AC-AF ,AL-A P,A T-AV, BA-BC BG-BK ,BM,B P,BR, BT,BV ,BX BZ,CB ,CD,C F,CH, CK,CM ,CP CR,CT ,CV,C X,CZ, DB,DD ,DF DH,DK ,DM,D P,DR, DT,DV ,DX DZ,EB ,ED	1

78-31-15

ILLUSTRATED PARTS LIST
01.1 Page 1041
Jul 01/04

FIG. & ITEM	PART NO.	AIRLINE PART NUMBER	NOMENCLATURE	EFF CODE	QTY PER ASSY
01-			1234567		
			ATTACHING PARTS		
40	BACB30LL4-4		DELETED		
45	BACB30LL4-3		...BOLT		7
47	BACB30LL4-2		...BOLT		1
50	BACS40R10C93F		DELETED		
55	BACS40R10C100F		DELETED		
60	BACB30LL3-3		...BOLT		4
			-----*-----		
65	BACR15BA5AD	RIVET-		12
			(SIZE DETERMINE ON INST)		
70	315T1510-7	CLIP	A,C,E ,G,J, L,N,Q ,S,U, W Y-AB, AG-AK ,AQ-A S,A W-AZ BD-BF ,BL,B N,BQ, BS,BU ,BW BY,CA ,CC,C E,CG, CJ,CL ,CN CQ,CS ,CU,C W,CY, DA,DC ,DE DG,DJ ,DL,D N,DQ, DS,DU ,DW DY,EA ,EC	1

78-31-15

 ILLUSTRATED PARTS LIST
 01.1 Page 1042
 Jul 01/04

FIG. & ITEM	PART NO.	AIRLINE PART NUMBER	NOMENCLATURE 1234567	EFF CODE	QTY PER ASSY
01- -75	315T1510-8	CLIP	B,D,F ,H,K, M,P,R ,T,V, X AC-AF ,AL-A P,A T-AV, BA-BC BG-BK ,BM,B P,BR, BT,BV ,BX BZ,CB ,CD,C F,CH, CK,CM ,CP CR,CT ,CV,C X,CZ, DB,DD ,DF DH,DK ,DM,D P,DR, DT,DV ,DX DZ,EB ,ED	1
77	BACS4OR07C63F	SHIM		AR
78	BACS4OR07C54F	SHIM		AR
80	315T1530-7SP		DELETED		

78-31-15

FIG. & ITEM	PART NO.	AIRLINE PART NUMBER	NOMENCLATURE	EFF CODE	QTY PER ASSY
01-80A	315T1530-7		1234567 BOND ASSY	A,C,E ,G,J, L,N,Q ,S,U, W Y-AB, AG-AK ,AQ-A S,A W-AZ BD-BF ,BL,B N,BQ, BS,BU ,BW BY,CA ,CC,C E,CG, CJ,CL ,CN CQ,CS ,CU,C W,CY, DA,DC ,DE DG,DJ ,DL,D N,DQ, DS,DU ,DW DY,EA ,EC	1

78-31-15

ILLUSTRATED PARTS LIST
 01.1 Page 1042B
 Jul 01/04

BOEING
COMPONENT
MAINTENANCE MANUAL

FIG. & ITEM	PART NO.	AIRLINE PART NUMBER	NOMENCLATURE	EFF CODE	QTY PER ASSY
01- -85 -85A	315T1530-8SP 315T1530-8		1234567 DELETEDBOND ASSY	B,D,F ,H,K, M,P,R ,T,V, X AC-AF ,AL-A P,A T-AV, BA-BC BG-BK ,BM,B P,BR, BT,BV ,BX BZ,CB ,CD,C F,CH, CK,CM ,CP CR,CT ,CV,C X,CZ, DB,DD ,DF DH,DK ,DM,D P,DR, DT,DV ,DX DZ,EB ,ED	1

78-31-15

ILLUSTRATED PARTS LIST
01.1 Page 1042C
Jul 01/04

FIG. & ITEM	PART NO.	AIRLINE PART NUMBER	NOMENCLATURE	EFF CODE	QTY PER ASSY
			1234567		
01- 90 90A 90B	315T1529-5SP 315T1529-9SP 315T1529-9		DELETED DELETED ...FAIRING ASSY-LWR	A,C,E ,G,J, L,N,Q ,S,U, W Y-AB, AG-AK ,AQ-A S,A W-AZ BD-BF ,BL,B N,BQ, BS,BU ,BW BY,CA ,CC,C E,CG, CJ,CL ,CN CQ,CS ,CU,C W,CY, DA,DC ,DE DG,DJ ,DL,D N,DQ, DS,DU ,DW DY,EA ,EC	1
-95 -95A	315T1529-6SP 315T1529-10SP		DELETED DELETED		

78-31-15

 ILLUSTRATED PARTS LIST
 01.1 Page 1042D
 Jul 01/04

BOEING
COMPONENT
MAINTENANCE MANUAL

FIG. & ITEM	PART NO.	AIRLINE PART NUMBER	NOMENCLATURE 1234567	EFF CODE	QTY PER ASSY
01- -95B	315T1529-10		...FAIRING ASSY-LWR	B,D,F ,H,K, M,P,R ,T,V, X AC-AF ,AL-A P,A T-AV, BA-BC BG-BK ,BM,B P,BR, BT,BV ,BX BZ,CB ,CD,C F,CH, CK,CM ,CP CR,CT ,CV,C X,CZ, DB,DD ,DF DH,DK ,DM,D P,DR, DT,DV ,DX DZ,EB ,ED	1
			ATTACHING PARTS		
100	BACB30LL4-4		DELETED		
105	BACB30LL4-3		...BOLT		6
107	BACB30LL4-2		...BOLT		1
110	BACS40R10C79F		DELETED		
115	BACS40R10C80F		DELETED		
120	BACB30LL3-3		...BOLT		5
122	BACS40R09C31F		...SHIM		AR
123	BACS40R13C37F		...SHIM		AR
			-----*		
125	BACR15BA5KE	RIVET- (SIZE DETERMINE ON INST)		12

78-31-15

ILLUSTRATED PARTS LIST
01.1 Page 1042E
Jul 01/04

FIG. & ITEM	PART NO.	AIRLINE PART NUMBER	NOMENCLATURE	EFF CODE	QTY PER ASSY
01- 127 128 130	BACS40R10C58F BACS40R09C54F 315T1510-15	SHIMSHIMCLIP	A,C,E ,G,J, L,N,Q ,S,U, W Y-AB, AG-AK ,AQ-A S,A W-AZ BD-BF ,BL,B N,BQ, BS,BU ,BW BY,CA ,CC,C E,CG, CJ,CL ,CN CQ,CS ,CU,C W,CY, DA,DC ,DE DG,DJ ,DL,D N,DQ, DS,DU ,DW DY,EA ,EC	AR AR 1

78-31-15

 ILLUSTRATED PARTS LIST
 01.1 Page 1042F
 Jul 01/04

 **BOEING**
COMPONENT
MAINTENANCE MANUAL

FIG. & ITEM	PART NO.	AIRLINE PART NUMBER	NOMENCLATURE	EFF CODE	QTY PER ASSY
01-135	315T1510-16		1234567CLIP	B,D,F ,H,K, M,P,R ,T,V, X AC-AF ,AL-A P,A T-AV, BA-BC BG-BK ,BM,B P,BR, BT,BV ,BX BZ,CB ,CD,C F,CH, CK,CM ,CP CR,CT ,CV,C X,CZ, DB,DD ,DF DH,DK ,DM,D P,DR, DT,DV ,DX DZ,EB ,ED	1

78-31-15

ILLUSTRATED PARTS LIST
01.1 Page 1042G
Jul 01/04

FIG. & ITEM	PART NO.	AIRLINE PART NUMBER	NOMENCLATURE	EFF CODE	QTY PER ASSY
			1234567		
01- 140 140A 140B	315T1529-7SP 315T1529-11SP 315T1529-11		DELETED DELETEDBOND ASSY	A,C,E ,G,J, L,N,Q ,S,U, W Y-AB, AG-AK ,AQ-A S,A W-AZ BD-BF ,BL,B N,BQ, BS,BU ,BW BY,CA ,CC,C E,CG, CJ,CL ,CN CQ,CS ,CU,C W,CY, DA,DC ,DE DG,DJ ,DL,D N,DQ, DS,DU ,DW DY,EA ,EC	1
-145 -145A	315T1529-8SP 315T1529-12SP		DELETED DELETED		

78-31-15

 ILLUSTRATED PARTS LIST
 01.1 Page 1042H
 Jul 01/04

 **BOEING**
COMPONENT
MAINTENANCE MANUAL

FIG. & ITEM	PART NO.	AIRLINE PART NUMBER	NOMENCLATURE	EFF CODE	QTY PER ASSY
01-145B	315T1529-12		1234567BOND ASSY	B,D,F ,H,K, M,P,R ,T,V, X AC-AF ,AL-A P,A T-AV, BA-BC BG-BK ,BM,B P,BR, BT,BV ,BX BZ,CB ,CD,C F,CH, CK,CM ,CP CR,CT ,CV,C X,CZ, DB,DD ,DF DH,DK ,DM,D P,DR, DT,DV ,DX DZ,EB ,ED	1

78-31-15

ILLUSTRATED PARTS LIST

01.1 Page 1042I

Jul 01/04

FIG. & ITEM	PART NO.	AIRLINE PART NUMBER	NOMENCLATURE	EFF CODE	QTY PER ASSY
01-150	315T1703-1		1234567 ..SWITCH INSTL-POSITION INDICATION AND AUTO. RESTOW	A,C,E ,G,J, L,N,Q ,S,U, W Y-AB, AG-AK ,AQ-A S,A W-AZ BD-BF ,BL,B N,BQ, BS,BU ,BW BY,CA ,CC,C E,CG, CJ,CL ,CN CQ,CS ,CU,C W,CY, DA,DC ,DE DG,DJ ,DL,D N,DQ, DS,DU ,DW DY,EA ,EC	1

78-31-15

 ILLUSTRATED PARTS LIST
 01.1 Page 1042J
 Jul 01/04

 **BOEING**
COMPONENT
MAINTENANCE MANUAL

FIG. & ITEM	PART NO.	AIRLINE PART NUMBER	NOMENCLATURE	EFF CODE	QTY PER ASSY
01- -155	315T1703-2		1234567 ..SWITCH INSTL-POSITION INDICATION AND AUTO. RESTOW	B,D,F ,H,K, M,P,R ,T,V, X AC-AF ,AL-A P,A T-AV, BA-BC BG-BK ,BM,B P,BR, BT,BV ,BX BZ,CB ,CD,C F,CH, CK,CM ,CP CR,CT ,CV,C X,CZ, DB,DD ,DF DH,DK ,DM,D P,DR, DT,DV ,DX DZ,EB ,ED	1
160	SI2401		DELETED		
165	MS21340-05		...NUT		4
170	AN960PD1016L		...WASHER		2
172	NAS1801-3-12		...SCREW		4
174	MS35338-43		...WASHER		4
176	AN960D10L		...WASHER		8
178	AN960D10		...WASHER		4
180	MS35650-305T		...NUT		4
182	MS21042L3		...NUT		4
185	BACS12CK3-7		...SCREW		2

78-31-15

ILLUSTRATED PARTS LIST
01.1 Page 1042K
Jul 01/04

FIG. & ITEM	PART NO.	AIRLINE PART NUMBER	NOMENCLATURE 1234567	EFF CODE	QTY PER ASSY
01-					
190	BACW10BP3DP		...WASHER		2
195	BACN10GW3		...NUT		2
200	8-344-02		DELETED		
-200A	8-344-02		DELETED		
200B	8-344-03		...SENSOR-PROXIMITY SWITCH (V08748) (S177) (SPEC S283T006-7) (OPT 8-344-02 (V08748)) (FOR SPARES PROCURE 8-345-03 (V08748))		1
-200C	8-527-01		...SENSOR-PROXIMITY SWITCH (V08748)	BL-ED	1
210	NAS1801-3-6		...SCREW		2
215	AN960PD10L		...WASHER		2
220	H10-3BAC		...NUT- (V15653) (SPEC BACN10JC3) (OPT NS202101-02 (V80539)) (OPT RMLH9075-3W (V72962)) (OPT T6S1032J (V71087)) (OPT VN303A02 (V92215)) (OPT 96-02 (V80539)) (OPT BRH10A3 (V52828))		2
225	NAS1801-3-8		...SCREW		1
230	AN960PD10L		...WASHER		1
235	BACR15BB3AD		...RIVET- (SIZE DETERMINE ON INST)		2
240	BACN10GH3B2		...NUTPLATE		1
245	BACC10GT3-06P		...CLAMP ASSY		3

78-31-15

 ILLUSTRATED PARTS LIST
 01.1 Page 1042L
 Jul 01/04

 **BOEING**
COMPONENT
MAINTENANCE MANUAL

FIG. & ITEM	PART NO.	AIRLINE PART NUMBER	NOMENCLATURE	EFF CODE	QTY PER ASSY
01-250	315T1703-3		1234567 ...CONDUIT	A,C,E ,G,J, L,N,Q ,S,U, W Y-AB, AG-AK ,AQ-A S,A W-AZ BD-BF ,BL,B N,BQ, BS,BU ,BW BY,CA ,CC,C E,CG, CJ,CL ,CN CQ,CS ,CU,C W,CY, DA,DC ,DE DG,DJ ,DL,D N,DQ, DS,DU ,DW DY,EA ,EC	1

78-31-15

ILLUSTRATED PARTS LIST

01.1 Page 1042M

Jul 01/04

FIG. & ITEM	PART NO.	AIRLINE PART NUMBER	NOMENCLATURE	EFF CODE	QTY PER ASSY
01-255	315T1703-4		1234567 ...CONDUIT	B,D,F ,H,K, M,P,R ,T,V, X AC-AF ,AL-A P,A T-AV, BA-BC BG-BK ,BM,B P,BR, BT,BV ,BX BZ,CB ,CD,C F,CH, CK,CM ,CP CR,CT ,CV,C X,CZ, DB,DD ,DF DH,DK ,DM,D P,DR, DT,DV ,DX DZ,EB ,ED	1

78-31-15

 ILLUSTRATED PARTS LIST
 01.1 Page 1042N
 Jul 01/04

 **BOEING**
COMPONENT
MAINTENANCE MANUAL

FIG. & ITEM	PART NO.	AIRLINE PART NUMBER	NOMENCLATURE 1234567	EFF CODE	QTY PER ASSY
01- 260	315T1704-1		...BRACKET ASSY ATTACHING PARTS		1
265	BACB30LH3D9		...BOLT		2
270	AN960PD10L		...WASHER		2
275	BACN10GW3		...NUT -----*-----		2
280	BACR15BB5AD	RIVET- (SIZE DETERMINE ON INST)		2
285	315T1704-2	BRACKET		1
290	315T1704-3	BRACKET		1
295	AN960PD10		...WASHER		AR
300	AN960PD10L		...WASHER		AR
305	315T3723-2		DELETED		

78-31-15

ILLUSTRATED PARTS LIST
01.1 Page 10420
Jul 01/04

FIG. & ITEM	PART NO.	AIRLINE PART NUMBER	NOMENCLATURE 1234567	EFF CODE	QTY PER ASSY
01-305A	315T3723-3		...TARGET		2
310	BAC27TTR0017		...MARKER-ALUMINUM FOIL- DEPLOY		1
315	BAC27TTR0028		...MARKER-ALUMINUM FOIL- S-166	A,C,E ,G,J, L,N,Q ,S,U, W Y-AB, AG-AK ,AQ-A S,A W-AZ BD-BF ,BL,B N,BQ, BS,BU ,BW BY,CA ,CC,C E,CG, CJ,CL ,CN CQ,CS ,CU,C W,CY, DA,DC ,DE DG,DJ ,DL,D N,DQ, DS,DU ,DW DY,EA ,EC	1

78-31-15

 ILLUSTRATED PARTS LIST
 01.1 Page 1042P
 Jul 01/04

 **BOEING**
COMPONENT
MAINTENANCE MANUAL

FIG. & ITEM	PART NO.	AIRLINE PART NUMBER	NOMENCLATURE	EFF CODE	QTY PER ASSY
01-320	BAC27TTR0029		1234567 ...MARKER-ALUMINUM FOIL-S-167	B,D,F ,H,K, M,P,R ,T,V, X AC-AF ,AL-A P,A T-AV, BA-BC BG-BK ,BM,B P,BR, BT,BV ,BX BZ,CB ,CD,C F,CH, CK,CM ,CP CR,CT ,CV,C X,CZ, DB,DD ,DF DH,DK ,DM,D P,DR, DT,DV ,DX DZ,EB ,ED	1

78-31-15

ILLUSTRATED PARTS LIST

01.1 Page 1042Q

Jul 01/04

FIG. & ITEM	PART NO.	AIRLINE PART NUMBER	NOMENCLATURE	EFF CODE	QTY PER ASSY
01-325	BAC27TTR0026		1234567 ...MARKER-ALUMINUM FOIL-S-164	A,C,E ,G,J, L,N,Q ,S,U, W Y-AB, AG-AK ,AQ-A S,A W-AZ BD-BF ,BL,B N,BQ, BS,BU ,BW BY,CA ,CC,C E,CG, CJ,CL ,CN CQ,CS ,CU,C W,CY, DA,DC ,DE DG,DJ ,DL,D N,DQ, DS,DU ,DW DY,EA ,EC	1

78-31-15

 ILLUSTRATED PARTS LIST
 01.1 Page 1042R
 Jul 01/04

 **BOEING**
COMPONENT
MAINTENANCE MANUAL

FIG. & ITEM	PART NO.	AIRLINE PART NUMBER	NOMENCLATURE	EFF CODE	QTY PER ASSY
01-330	BAC27TTR0027		1234567 ...MARKER-ALUMINUM FOIL-S-165	B,D,F ,H,K, M,P,R ,T,V, X AC-AF ,AL-A P,A T-AV, BA-BC BG-BK ,BM,B P,BR, BT,BV ,BX BZ,CB ,CD,C F,CH, CK,CM ,CP CR,CT ,CV,C X,CZ, DB,DD ,DF DH,DK ,DM,D P,DR, DT,DV ,DX DZ,EB ,ED	1

78-31-15

ILLUSTRATED PARTS LIST
01.1 Page 1042S
Jul 01/04

FIG. & ITEM	PART NO.	AIRLINE PART NUMBER	NOMENCLATURE 1234567	EFF CODE	QTY PER ASSY
01-335	BAC27TTR0018		...MARKER-ALUMINUM FOIL ACTR UNLOCK		1
340	BAC27TTR0030		...MARKER-ALUMINUM FOIL- S-176	A,C,E ,G,J, L,N,Q ,S,U, W Y-AB, AG-AK ,AQ-A S,A W-AZ BD-BF ,BL,B N,BQ, BS,BU ,BW BY,CA ,CC,C E,CG, CJ,CL ,CN CQ,CS ,CU,C W,CY, DA,DC ,DE DG,DJ ,DL,D N,DQ, DS,DU ,DW DY,EA ,EC	1

78-31-15

 ILLUSTRATED PARTS LIST
 01.1 Page 1042T
 Jul 01/04

BOEING
COMPONENT
MAINTENANCE MANUAL

FIG. & ITEM	PART NO.	AIRLINE PART NUMBER	NOMENCLATURE	EFF CODE	QTY PER ASSY
01-345	BAC27TTR0031		1234567 ...MARKER-ALUMINUM FOIL-S-177	B,D,F ,H,K, M,P,R ,T,V, X AC-AF ,AL-A P,A T-AV, BA-BC BG-BK ,BM,B P,BR, BT,BV ,BX BZ,CB ,CD,C F,CH, CK,CM ,CP CR,CT ,CV,C X,CZ, DB,DD ,DF DH,DK ,DM,D P,DR, DT,DV ,DX DZ,EB ,ED	1

78-31-15

ILLUSTRATED PARTS LIST

01.1 Page 1042U

Jul 01/04

FIG. & ITEM	PART NO.	AIRLINE PART NUMBER	NOMENCLATURE	EFF CODE	QTY PER ASSY
01-350	BAC27TTR0016		...MARKER-ALUMINUM FOIL-AUTO RESTOW		1
355	315T1512-1		..STOP ASSY-SLEEVE	A,C,E ,G,J, L,N,Q ,S,U, W Y-AB, AG-AK ,AQ-A S,A W-AZ BD-BF ,BL,B N,BQ, BS,BU ,BW BY,CA ,CC,C E,CG, CJ,CL ,CN CQ,CS ,CU,C W,CY, DA,DC ,DE DG,DJ ,DL,D N,DQ, DS,DU ,DW DY,EA ,EC	1

78-31-15

 ILLUSTRATED PARTS LIST
 01.1 Page 1042V
 Jul 01/04

BOEING
COMPONENT
MAINTENANCE MANUAL

FIG. & ITEM	PART NO.	AIRLINE PART NUMBER	NOMENCLATURE	EFF CODE	QTY PER ASSY
01-360	315T1512-2		1234567 ..STOP ASSY-SLEEVE	B,D,F ,H,K, M,P,R ,T,V, X AC-AF ,AL-A P,A T-AV, BA-BC BG-BK ,BM,B P,BR, BT,BV ,BX BZ,CB ,CD,C F,CH, CK,CM ,CP CR,CT ,CV,C X,CZ, DB,DD ,DF DH,DK ,DM,D P,DR, DT,DV ,DX DZ,EB ,ED	1
365	NAS6704L7		ATTACHING PARTS ..BOLT -----*		2
370	BACR15BA3AD		...RIVET- (SIZE DETERMINE ON INST)		4

78-31-15

ILLUSTRATED PARTS LIST
01.1 Page 1042W
Jul 01/04

FIG. & ITEM	PART NO.	AIRLINE PART NUMBER	NOMENCLATURE 1234567	EFF CODE	QTY PER ASSY
01-375	BRFM20C4M		...NUTPLATE- (V52828) (SPEC BACN10JN4CM) (OPT MF1001-4BAC (V15653)) (OPT NS103218SE048 (V80539)) (OPT VN252D048 (V92215)) (OPT 109F9201M4 (V72962)) (OPT T8125C4C (V11815)) (OPT T8125C4C (V11815))		2

78-31-15

ILLUSTRATED PARTS LIST
 01.1 Page 1042X
 Jul 01/04

 **BOEING**
COMPONENT
MAINTENANCE MANUAL

FIG. & ITEM	PART NO.	AIRLINE PART NUMBER	NOMENCLATURE	EFF CODE	QTY PER ASSY
01-380	315T1512-5		1234567 ...STOP	A,C,E ,G,J, L,N,Q ,S,U, W Y-AB, AG-AK ,AQ-A S,A W-AZ BD-BF ,BL,B N,BQ, BS,BU ,BW BY,CA ,CC,C E,CG, CJ,CL ,CN CQ,CS ,CU,C W,CY, DA,DC ,DE DG,DJ ,DL,D N,DQ, DS,DU ,DW DY,EA ,EC	1

78-31-15

ILLUSTRATED PARTS LIST

01.1 Page 1042Y

Jul 01/04

FIG. & ITEM	PART NO.	AIRLINE PART NUMBER	NOMENCLATURE	EFF CODE	QTY PER ASSY
01-385	315T1512-6		1234567 ...STOP	B,D,F ,H,K, M,P,R ,T,V, X AC-AF ,AL-A P,A T-AV, BA-BC BG-BK ,BM,B P,BR, BT,BV ,BX BZ,CB ,CD,C F,CH, CK,CM ,CP CR,CT ,CV,C X,CZ, DB,DD ,DF DH,DK ,DM,D P,DR, DT,DV ,DX DZ,EB ,ED	1

78-31-15

 ILLUSTRATED PARTS LIST
 01.1 Page 1042Z
 Jul 01/04



BOEING
COMPONENT
MAINTENANCE MANUAL

FIG. & ITEM	PART NO.	AIRLINE PART NUMBER	NOMENCLATURE	EFF CODE	QTY PER ASSY
01- 390 390A 395	BACB30LL4-7 NAS8704-7 315T1512-7		1234567 DELETED ..BOLT ..STOP-SLEEVE	A,C,E ,G,J, L,N,Q ,S,U, W Y-AB, AG-AK ,AQ-A S,A W-AZ BD-BF ,BL,B N,BQ, BS,BU ,BW BY,CA ,CC,C E,CG, CJ,CL ,CN BQ,CS ,CU,C W,CY, DA,DC ,DE DG,DJ ,DL,D N,DQ, DS,DU ,DW DY,EA ,EC	2 1

78-31-15

ILLUSTRATED PARTS LIST
01.1 Page 1043
Jul 01/04

FIG. & ITEM	PART NO.	AIRLINE PART NUMBER	NOMENCLATURE	EFF CODE	QTY PER ASSY
01-400	315T1512-8		1234567 ..STOP-SLEEVE	B,D,F ,H,K, M,P,R ,T,V, X AC-AF ,AL-A P,A T-AV, BA-BC BG-BK ,BM,B P,BR, BT,BV ,BX BZ,CB ,CD,C F,CH, CK,CM ,CP CR,CT ,CV,C X,CZ, DB,DD ,DF DH,DK ,DM,D P,DR, DT,DV ,DX DZ,EB ,ED	1

78-31-15

 ILLUSTRATED PARTS LIST
 01.1 Page 1044
 Jul 01/04



BOEING
COMPONENT
MAINTENANCE MANUAL

FIG. & ITEM	PART NO.	AIRLINE PART NUMBER	NOMENCLATURE 1234567	EFF CODE	QTY PER ASSY
01-405	315T1604-1		..PIN-DEACTIVATION (OPT ITEMS 405A, 405B)	A-P,A Q-BB, BD,BE ,BG-B Z DA-DE ,DH- ED	1
-405A	315T1604-2		..PIN-DEACTIVATION (OPT ITEMS 405, 405B)	A-P,A Q-BB, BD,BE ,BG-B Z DA-DE ,DH- ED	1
-405B	315T1604-5		..PIN-DEACTIVATION (OPT ITEMS 405, 405A)	A-P,A Q-BB, BD,BE ,BG-B Z DA-DE ,DH- ED	1
407	315T1604-1		..PIN-DEACTIVATION (OPT ITEMS 407A, 407B)	Q-AP, BC,BF ,CA-C Z,DF, DG	1
-407A	315T1604-2		..PIN-DEACTIVATION (OPT ITEMS 407, 407B)	Q-AP, BC,BF ,CA-C Z,DF, DG	1
-407B	315T1604-5		..PIN-DEACTIVATION (OPT ITEMS 407, 407A)	Q-AP, BC,BF ,CA-C Z,DF, DG	1
-410	315T1655-1		DELETED		
-415	315T1655-2		DELETED		
420	MS25224-3		DELETED		
425	MS25224-3		DELETED		
430	AN525-10R6		DELETED		
435	315T3656-9		DELETED		

78-31-15

ILLUSTRATED PARTS LIST
01.1 Page 1044A
Jul 01/04

FIG. & ITEM	PART NO.	AIRLINE PART NUMBER	NOMENCLATURE 1234567	EFF CODE	QTY PER ASSY
01-					
440	315T3656-10		DELETED		
445	65407		DELETED		
450	65407		DELETED		
455	65408		DELETED		
460	NAS1801-04-5		DELETED		
465	132003		DELETED		
470	C48-00R14-7P102		DELETED		
475	BAC27TTR0001		DELETED		
480	BAC27TTR0002		DELETED		
485	BAC27TTR0003		DELETED		
490	BAC27TTR0004		DELETED		
495	BAC27TTR0005		DELETED		
500	BAC27TTR0006		DELETED		
505	BAC27TTR0008		DELETED		
510	BAC27TTR0009		DELETED		

78-31-15

 ILLUSTRATED PARTS LIST
 01.1 Page 1044B
 Jul 01/04

 **BOEING**
COMPONENT
MAINTENANCE MANUAL

FIG. & ITEM	PART NO.	AIRLINE PART NUMBER	NOMENCLATURE	EFF CODE	QTY PER ASSY
01- 515 520 -525	BAC27TTR0012 BAC27TTR0013 315T1701-1		1234567 DELETED DELETED ..INTERLOCK INSTL-FEEDBACK (FOR DETAILS SEE FIG. 2)	A,C,E ,G,J, L,N,Q ,S,U, W Y-AB, AG-AK ,AQ-A S,A W-AZ BD-BF ,BL,B N,BQ, BS,BU ,BW BY,CA ,CC,C E,CG, CJ,CL ,CN CQ,CS ,CU,C W,CY, DA,DC ,DE DG,DJ ,DL,D N,DQ, DS,DU ,DW DY,EA ,EC	1

78-31-15

ILLUSTRATED PARTS LIST
01.1 Page 1044C
Jul 01/04

FIG. & ITEM	PART NO.	AIRLINE PART NUMBER	NOMENCLATURE	EFF CODE	QTY PER ASSY
01-530	315T1701-2		1234567 ..INTERLOCK INSTL-FEEDBACK (FOR DETAILS SEE FIG. 2)	B,D,F ,H,K, M,P,R ,T,V, X AC-AF ,AL-A P,A T-AV, BA-BC BG-BK ,BM,B P,BR, BT,BV ,BX BZ,CB ,CD,C F,CH, CK,CM ,CP CR,CT ,CV,C X,CZ, DB,DD ,DF DH,DK ,DM,D P,DR, DT,DV ,DX DZ,EB ,ED	1

78-31-15

 ILLUSTRATED PARTS LIST
 01.1 Page 1044D
 Jul 01/04

BOEING
COMPONENT
MAINTENANCE MANUAL

FIG. & ITEM	PART NO.	AIRLINE PART NUMBER	NOMENCLATURE	EFF CODE	QTY PER ASSY
01-535	315T1605-1		1234567 ..ROD INSTL-HOLD OPEN	A,C,E ,G,J, L,N,Q ,S,U, W Y-AB, AG-AK ,AQ-A S,A W-AZ BD-BF ,BL,B N,BQ, BS,BU ,BW BY,CA ,CC,C E,CG, CJ,CL ,CN CQ,CS ,CU,C W,CY, DA,DC ,DE DG,DJ ,DL,D N,DQ, DS,DU ,DW DY,EA ,EC	1

78-31-15

ILLUSTRATED PARTS LIST

01.1 Page 1044E

Jul 01/04

FIG. & ITEM	PART NO.	AIRLINE PART NUMBER	NOMENCLATURE	EFF CODE	QTY PER ASSY
01-540	315T1605-2		1234567 ..ROD INSTL-HOLD OPEN	B,D,F ,H,K, M,P,R ,T,V, X AC-AF ,AL-A P,A T-AV, BA-BC BG-BK ,BM,B P,BR, BT,BV ,BX BZ,CB ,CD,C F,CH, CK,CM ,CP CR,CT ,CV,C X,CZ, DB,DD ,DF DH,DK ,DM,D P,DR, DT,DV ,DX DZ,EB ,ED	1

78-31-15

 ILLUSTRATED PARTS LIST
 01.1 Page 1044F
 Jul 01/04

 **BOEING**
COMPONENT
MAINTENANCE MANUAL

FIG. & ITEM	PART NO.	AIRLINE PART NUMBER	NOMENCLATURE	EFF CODE	QTY PER ASSY
01-545	315T1605-5003		1234567 ...ROD INSTL- (LIMITED)	A,C,E ,G,J, L,N,Q ,S,U, W Y-AB, AG-AK ,AQ-A S,A W-AZ BD-BF ,BL,B N,BQ, BS,BU ,BW BY,CA ,CC,C E,CG, CJ,CL ,CN CQ,CS ,CU,C W,CY, DA,DC ,DE DG,DJ ,DL,D N,DQ, DS,DU ,DW DY,EA ,EC	1

78-31-15

ILLUSTRATED PARTS LIST
01.1 Page 1044G
Jul 01/04

FIG. & ITEM	PART NO.	AIRLINE PART NUMBER	NOMENCLATURE	EFF CODE	QTY PER ASSY
01-545A	315T1605-5001		1234567 ...ROD INSTL- (LIMITED)	A,C,E ,G,J, L,N,Q ,S,U, W Y-AB, AG-AK ,AQ-A S,A W-AZ BD-BF ,BL,B N,BQ, BS,BU ,BW BY,CA ,CC,C E,CG, CJ,CL ,CN CQ,CS ,CU,C W,CY, DA,DC ,DE DG,DJ ,DL,D N,DQ, DS,DU ,DW DY,EA ,EC	1

78-31-15

 ILLUSTRATED PARTS LIST
 01.1 Page 1044H
 Jul 01/04

BOEING
COMPONENT
MAINTENANCE MANUAL

FIG. & ITEM	PART NO.	AIRLINE PART NUMBER	NOMENCLATURE	EFF CODE	QTY PER ASSY
01-545B	315T1605-5005		1234567 ...ROD INSTL-(REWORK) (LIMITED)	A,C,E ,G,J, L,N,Q ,S,U, W Y-AB, AG-AK ,AQ-A S,A W-AZ BD-BF ,BL,B N,BQ, BS,BU ,BW BY,CA ,CC,C E,CG, CJ,CL ,CN CQ,CS ,CU,C W,CY, DA,DC ,DE DG,DJ ,DL,D N,DQ, DS,DU ,DW DY,EA ,EC	1

78-31-15

ILLUSTRATED PARTS LIST

01.1 Page 1044I

Jul 01/04

FIG. & ITEM	PART NO.	AIRLINE PART NUMBER	NOMENCLATURE	EFF CODE	QTY PER ASSY
01-545C	315T1605-5007		1234567 ...ROD INSTL- (LIMITED)	A,C,E ,G,J, L,N,Q ,S,U, W Y-AB, AG-AK ,AQ-A S,A W-AZ BD-BF ,BL,B N,BQ, BS,BU ,BW BY,CA ,CC,C E,CG, CJ,CL ,CN CQ,CS ,CU,C W,CY, DA,DC ,DE DG,DJ ,DL,D N,DQ, DS,DU ,DW DY,EA ,EC	1

78-31-15

 ILLUSTRATED PARTS LIST
 01.1 Page 1044J
 Jul 01/04

 **BOEING**
COMPONENT
MAINTENANCE MANUAL

FIG. & ITEM	PART NO.	AIRLINE PART NUMBER	NOMENCLATURE	EFF CODE	QTY PER ASSY
01-545D	315T1605-5009		1234567 ...ROD INSTL- (LIMITED)	A,C,E ,G,J, L,N,Q ,S,U, W Y-AB, AG-AK ,AQ-A S,A W-AZ BD-BF ,BL,B N,BQ, BS,BU ,BW BY,CA ,CC,C E,CG, CJ,CL ,CN CQ,CS ,CU,C W,CY, DA,DC ,DE DG,DJ ,DL,D N,DQ, DS,DU ,DW DY,EA ,EC	1

78-31-15

ILLUSTRATED PARTS LIST
01.1 Page 1044K
Jul 01/04

FIG. & ITEM	PART NO.	AIRLINE PART NUMBER	NOMENCLATURE	EFF CODE	QTY PER ASSY
01-545E	315T1605-5011		1234567 ...ROD INSTL- (LIMITED)	A,C,E ,G,J, L,N,Q ,S,U, W Y-AB, AG-AK ,AQ-A S,A W-AZ BD-BF ,BL,B N,BQ, BS,BU ,BW BY,CA ,CC,C E,CG, CJ,CL ,CN CQ,CS ,CU,C W,CY, DA,DC ,DE DG,DJ ,DL,D N,DQ, DS,DU ,DW DY,EA ,EC	1

78-31-15

ILLUSTRATED PARTS LIST
 01.1 Page 1044L
 Jul 01/04

 **BOEING**
COMPONENT
MAINTENANCE MANUAL

FIG. & ITEM	PART NO.	AIRLINE PART NUMBER	NOMENCLATURE	EFF CODE	QTY PER ASSY
01-550	315T1605-5004		1234567 ...ROD INSTL- (LIMITED)	B,D,F ,H,K, M,P,R ,T,V, X AC-AF ,AL-A P,A T-AV, BA-BC BG-BK ,BM,B P,BR, BT,BV ,BX BZ,CB ,CD,C F,CH, CK,CM ,CP CR,CT ,CV,C X,CZ, DB,DD ,DF DH,DK ,DM,D P,DR, DT,DV ,DX DZ,EB ,ED	1

78-31-15

ILLUSTRATED PARTS LIST
01.1 Page 1044M
Jul 01/04

FIG. & ITEM	PART NO.	AIRLINE PART NUMBER	NOMENCLATURE	EFF CODE	QTY PER ASSY
01-550A	315T1605-5002		1234567 ...ROD INSTL- (LIMITED)	B,D,F ,H,K, M,P,R ,T,V, X AC-AF ,AL-A P,A T-AV, BA-BC BG-BK ,BM,B P,BR, BT,BV ,BX BZ,CB ,CD,C F,CH, CK,CM ,CP CR,CT ,CV,C X,CZ, DB,DD ,DF DH,DK ,DM,D P,DR, DT,DV ,DX DZ,EB ,ED	1

78-31-15

ILLUSTRATED PARTS LIST
 01.1 Page 1044N
 Jul 01/04

BOEING
COMPONENT
MAINTENANCE MANUAL

FIG. & ITEM	PART NO.	AIRLINE PART NUMBER	NOMENCLATURE	EFF CODE	QTY PER ASSY
01-550B	315T1605-5006		1234567 ...ROD INSTL-(REWORK) (LIMITED)	B,D,F ,H,K, M,P,R ,T,V, X AC-AF ,AL-A P,A T-AV, BA-BC BG-BK ,BM,B P,BR, BT,BV ,BX BZ,CB ,CD,C F,CH, CK,CM ,CP CR,CT ,CV,C X,CZ, DB,DD ,DF DH,DK ,DM,D P,DR, DT,DV ,DX DZ,EB ,ED	1

78-31-15

ILLUSTRATED PARTS LIST

01.1 Page 10440

Jul 01/04

FIG. & ITEM	PART NO.	AIRLINE PART NUMBER	NOMENCLATURE	EFF CODE	QTY PER ASSY
01-550C	315T1605-5008		1234567 ...ROD INSTL- (LIMITED)	B,D,F ,H,K, M,P,R ,T,V, X AC-AF ,AL-A P,A T-AV, BA-BC BG-BK ,BM,B P,BR, BT,BV ,BX BZ,CB ,CD,C F,CH, CK,CM ,CP CR,CT ,CV,C X,CZ, DB,DD ,DF DH,DK ,DM,D P,DR, DT,DV ,DX DZ,EB ,ED	1

78-31-15

 ILLUSTRATED PARTS LIST
 01.1 Page 1044P
 Jul 01/04

 **BOEING**
COMPONENT
MAINTENANCE MANUAL

FIG. & ITEM	PART NO.	AIRLINE PART NUMBER	NOMENCLATURE	EFF CODE	QTY PER ASSY
01-550D	315T1605-5010		1234567 ...ROD INSTL- (LIMITED)	B,D,F ,H,K, M,P,R ,T,V, X AC-AF ,AL-A P,A T-AV, BA-BC BG-BK ,BM,B P,BR, BT,BV ,BX BZ,CB ,CD,C F,CH, CK,CM ,CP CR,CT ,CV,C X,CZ, DB,DD ,DF DH,DK ,DM,D P,DR, DT,DV ,DX DZ,EB ,ED	1

78-31-15

ILLUSTRATED PARTS LIST
01.1 Page 1044Q
Jul 01/04

FIG. & ITEM	PART NO.	AIRLINE PART NUMBER	NOMENCLATURE	EFF CODE	QTY PER ASSY
01-550E	315T1605-5012		1234567 ...ROD INSTL- (LIMITED)	B,D,F ,H,K, M,P,R ,T,V, X AC-AF ,AL-A P,A T-AV, BA-BC BG-BK ,BM,B P,BR, BT,BV ,BX BZ,CB ,CD,C F,CH, CK,CM ,CP CR,CT ,CV,C X,CZ, DB,DD ,DF DH,DK ,DM,D P,DR, DT,DV ,DX DZ,EB ,ED	1

78-31-15

ILLUSTRATED PARTS LIST
 01.1 Page 1044R
 Jul 01/04

BOEING
COMPONENT
MAINTENANCE MANUAL

FIG. & ITEM	PART NO.	AIRLINE PART NUMBER	NOMENCLATURE 1234567	EFF CODE	QTY PER ASSY
01-555	NAS6703L15	BOLT- (OPT ITEM 555A)		1
-555A	NAS6703P15	BOLT- (OPT ITEM 555)		1
560	AN960-10	WASHER		2
565	NAS1805-3N	NUT		1
570	315T1605-3	SHIM		2
575	315T1606-1	PIN-RCVR		1
580	BACB30LJ5-15	BOLT		1
585	AN960PD516	WASHER		1
590	BRH10C5D	NUT- (V52828) (SPEC BACN10JC5CD) (OPT T6C524JCD (V11815)) (OPT 102LH9075-5W (V72962)) (OPT H51650-5BAC (V15653)) (OPT ITEM 590A)		1
-590A	BRH10C5	NUT- (V52828) (SPEC BACN10JC5C) (OPT T6C524J (V11815)) (OPT 97-054 (V80539)) (OPT 101LH9075-5W (V72962)) (OPT H31-5BAC (V15653)) (OPT ITEM 590)		1
595	BACB28AK05-034	BUSHING		1
600	S315T366-2		DELETED		
600A	A2724-3	STRUT ASSY- (V08844) (SPEC S315T366-2) (USED ON ITEMS 545, 545A, 550, 550A) (PRE SB 767-71A0025)		1
-600B	S315T366-5		DELETED		

78-31-15

FIG. & ITEM	PART NO.	AIRLINE PART NUMBER	NOMENCLATURE	EFF CODE	QTY PER ASSY
			1234567		
01- -600C	315T3159-1	ROD ASSY-HOLD OPEN (REWORK) (USED ON ITEMS 545B, 550B) (FOR DETAILS SEE FIG. 9) (PRE SB 767-71A0025)		1
-600D	A6501-1		DELETED		
-600F	A6501-2		DELETED		
-600G	S315T366-9		DELETED		
-600H	A6501-3	STRUT ASSY- (V08844) (SPEC S315T366-9) (USED ON ITEMS 545C, 545D, 545E, 550C, 550D, 550E)		1

78-31-15

 ILLUSTRATED PARTS LIST
 01.1 Page 1044T
 Jul 01/04

BOEING
COMPONENT
MAINTENANCE MANUAL

FIG. & ITEM	PART NO.	AIRLINE PART NUMBER	NOMENCLATURE	EFF CODE	QTY PER ASSY
			1234567		
01-605	BACR15BB6AD	RIVET- (SIZE DETERMINE ON INST)		6
610	315T1662-1	FITTING-ATTACH (OPT ITEM 610A) (USED ON ITEM 545)	A,C,E ,G,J, L,N,Q ,S,U, W Y-AB, AG-AK ,AQ-A S,A W-AZ BD-BF ,BL,B N,BQ, BS,BU ,BW BY,CA ,CC,C E,CG, CJ,CL ,CN CQ,CS ,CU,C W,CY, DA,DC ,DE DG,DJ ,DL,D N,DQ, DS,DU ,DW DY,EA ,EC	1

78-31-15

ILLUSTRATED PARTS LIST
01.1 Page 1044U
Jul 01/04

FIG. & ITEM	PART NO.	AIRLINE PART NUMBER	NOMENCLATURE	EFF CODE	QTY PER ASSY
01-610A	315T1662-5		1234567 FITTING-ATTACH (OPT ITEM 610) (USED ON ITEM 545)	A,C,E ,G,J, L,N,Q ,S,U, W Y-AB, AG-AK ,AQ-A S,A W-AZ BD-BF ,BL,B N,BQ, BS,BU ,BW BY,CA ,CC,C E,CG, CJ,CL ,CN CQ,CS ,CU,C W,CY, DA,DC ,DE DG,DJ ,DL,D N,DQ, DS,DU ,DW DY,EA ,EC	1

78-31-15

ILLUSTRATED PARTS LIST
 01.1 Page 1044V
 Jul 01/04

 **BOEING**
COMPONENT
MAINTENANCE MANUAL

FIG. & ITEM	PART NO.	AIRLINE PART NUMBER	NOMENCLATURE	EFF CODE	QTY PER ASSY
01- -610B	315T1662-1		1234567 FITTING-ATTACH (USED ON ITEM 545A)	A,C,E ,G,J, L,N,Q ,S,U, W Y-AB, AG-AK ,AQ-A S,A W-AZ BD-BF ,BL,B N,BQ, BS,BU ,BW BY,CA ,CC,C E,CG, CJ,CL ,CN CQ,CS ,CU,C W,CY, DA,DC ,DE DG,DJ ,DL,D N,DQ, DS,DU ,DW DY,EA ,EC	1

78-31-15

ILLUSTRATED PARTS LIST
01.1 Page 1044W
Jul 01/04

FIG. & ITEM	PART NO.	AIRLINE PART NUMBER	NOMENCLATURE	EFF CODE	QTY PER ASSY
01-610C	315T1662-7		1234567 FITTING-ATTACH (OPT ITEM 610D) (USED ON ITEMS 545C, 545E)	A,C,E ,G,J, L,N,Q ,S,U, W Y-AB, AG-AK ,AQ-A S,A W-AZ BD-BF ,BL,B N,BQ, BS,BU ,BW BY,CA ,CC,C E,CG, CJ,CL ,CN CQ,CS ,CU,C W,CY, DA,DC ,DE DG,DJ ,DL,D N,DQ, DS,DU ,DW DY,EA ,EC	1

78-31-15

 ILLUSTRATED PARTS LIST
 01.1 Page 1044X
 Jul 01/04

 **BOEING**
COMPONENT
MAINTENANCE MANUAL

FIG. & ITEM	PART NO.	AIRLINE PART NUMBER	NOMENCLATURE	EFF CODE	QTY PER ASSY
01-610D	315T1662-11		1234567FITTING-ATTACH (OPT ITEM 610C) (USED ON ITEMS 545C, 545E)	A,C,E ,G,J, L,N,Q ,S,U, W Y-AB, AG-AK ,AQ-A S,A W-AZ BD-BF ,BL,B N,BQ, BS,BU ,BW BY,CA ,CC,C E,CG, CJ,CL ,CN CQ,CS ,CU,C W,CY, DA,DC ,DE DG,DJ ,DL,D N,DQ, DS,DU ,DW DY,EA ,EC	1

78-31-15

ILLUSTRATED PARTS LIST

01.1 Page 1044Y

Jul 01/04

FIG. & ITEM	PART NO.	AIRLINE PART NUMBER	NOMENCLATURE	EFF CODE	QTY PER ASSY
01-610E	315T1662-5		1234567 FITTING-ATTACH (USED ON ITEM 545D)	A,C,E ,G,J, L,N,Q ,S,U, W Y-AB, AG-AK ,AQ-A S,A W-AZ BD-BF ,BL,B N,BQ, BS,BU ,BW BY,CA ,CC,C E,CG, CJ,CL ,CN CQ,CS ,CU,C W,CY, DA,DC ,DE DG,DJ ,DL,D N,DQ, DS,DU ,DW DY,EA ,EC	1

78-31-15

 ILLUSTRATED PARTS LIST
 01.1 Page 1044Z
 Jul 01/04

 **BOEING**
COMPONENT
MAINTENANCE MANUAL

FIG. & ITEM	PART NO.	AIRLINE PART NUMBER	NOMENCLATURE	EFF CODE	QTY PER ASSY
01-615	315T1662-2		1234567FITTING-ATTACH (OPT ITEM 615A) (USED ON ITEM 550)	B,D,F ,H,K, M,P,R ,T,V, X AC-AF ,AL-A P,A T-AV, BA-BC BG-BK ,BM,B P,BR, BT,BV ,BX BZ,CB ,CD,C F,CH, CK,CM ,CP CR,CT ,CV,C X,CZ, DB,DD ,DF DH,DK ,DM,D P,DR, DT,DV ,DX DZ,EB ,ED	1

78-31-15

ILLUSTRATED PARTS LIST

01.1

Page 1045

Jul 01/04

FIG. & ITEM	PART NO.	AIRLINE PART NUMBER	NOMENCLATURE	EFF CODE	QTY PER ASSY
01-615A	315T1662-6		1234567 FITTING-ATTACH (OPT ITEM 615) (USED ON ITEM 550)	B,D,F ,H,K, M,P,R ,T,V, X AC-AF ,AL-A P,A T-AV, BA-BC BG-BK ,BM,B P,BR, BT,BV ,BX BZ,CB ,CD,C F,CH, CK,CM ,CP CR,CT ,CV,C X,CZ, DB,DD ,DF DH,DK ,DM,D P,DR, DT,DV ,DX DZ,EB ,ED	1

78-31-15

 ILLUSTRATED PARTS LIST
 01.1 Page 1046
 Jul 01/04

 **BOEING**
COMPONENT
MAINTENANCE MANUAL

FIG. & ITEM	PART NO.	AIRLINE PART NUMBER	NOMENCLATURE	EFF CODE	QTY PER ASSY
01- -615B	315T1662-2		1234567 FITTING-ATTACH (USED ON ITEM 550A)	B,D,F ,H,K, M,P,R ,T,V, X AC-AF ,AL-A P,A T-AV, BA-BC BG-BK ,BM,B P,BR, BT,BV ,BX BZ,CB ,CD,C F,CH, CK,CM ,CP CR,CT ,CV,C X,CZ, DB,DD ,DF DH,DK ,DM,D P,DR, DT,DV ,DX DZ,EB ,ED	1

78-31-15

ILLUSTRATED PARTS LIST
01.1 Page 1046A
Jul 01/04

FIG. & ITEM	PART NO.	AIRLINE PART NUMBER	NOMENCLATURE	EFF CODE	QTY PER ASSY
01-615C	315T1662-8		1234567 FITTING-ATTACH (OPT ITEM 615D) (USED ON ITEMS 550C, 550E)	B,D,F ,H,K, M,P,R ,T,V, X AC-AF ,AL-A P,A T-AV, BA-BC BG-BK ,BM,B P,BR, BT,BV ,BX BZ,CB ,CD,C F,CH, CK,CM ,CP CR,CT ,CV,C X,CZ, DB,DD ,DF DH,DK ,DM,D P,DR, DT,DV ,DX DZ,EB ,ED	1

78-31-15

 ILLUSTRATED PARTS LIST
 01.1 Page 1046B
 Jul 01/04

 **BOEING**
COMPONENT
MAINTENANCE MANUAL

FIG. & ITEM	PART NO.	AIRLINE PART NUMBER	NOMENCLATURE	EFF CODE	QTY PER ASSY
01- -615D	315T1662-12		1234567 FITTING-ATTACH (OPT ITEM 615C) (USED ON ITEMS 550C, 550E)	B,D,F ,H,K, M,P,R ,T,V, X AC-AF ,AL-A P,A T-AV, BA-BC BG-BK ,BM,B P,BR, BT,BV ,BX BZ,CB ,CD,C F,CH, CK,CM ,CP CR,CT ,CV,C X,CZ, DB,DD ,DF DH,DK ,DM,D P,DR, DT,DV ,DX DZ,EB ,ED	1

78-31-15

ILLUSTRATED PARTS LIST
01.1 Page 1046C
Jul 01/04

FIG. & ITEM	PART NO.	AIRLINE PART NUMBER	NOMENCLATURE	EFF CODE	QTY PER ASSY
01-615E	315T1662-6		1234567 FITTING-ATTACH (USED ON ITEM 550D)	B,D,F ,H,K, M,P,R ,T,V, X AC-AF ,AL-A P,A T-AV, BA-BC BG-BK ,BM,B P,BR, BT,BV ,BX BZ,CB ,CD,C F,CH, CK,CM ,CP CR,CT ,CV,C X,CZ, DB,DD ,DF DH,DK ,DM,D P,DR, DT,DV ,DX DZ,EB ,ED	1

78-31-15

 ILLUSTRATED PARTS LIST
 01.1 Page 1046D
 Jul 01/04

 **BOEING**
COMPONENT
MAINTENANCE MANUAL

FIG. & ITEM	PART NO.	AIRLINE PART NUMBER	NOMENCLATURE	EFF CODE	QTY PER ASSY
01-620	315T1663-5		1234567FITTING ASSY-ATTACH (USED ON ITEM 545)	A,C,E ,G,J, L,N,Q ,S,U, W Y-AB, AG-AK ,AQ-A S,A W-AZ BD-BF ,BL,B N,BQ, BS,BU ,BW BY,CA ,CC,C E,CG, CJ,CL ,CN CQ,CS ,CU,C W,CY, DA,DC ,DE DG,DJ ,DL,D N,DQ, DS,DU ,DW DY,EA ,EC	1

78-31-15

ILLUSTRATED PARTS LIST
01.1 Page 1046E
Jul 01/04

FIG. & ITEM	PART NO.	AIRLINE PART NUMBER	NOMENCLATURE	EFF CODE	QTY PER ASSY
01-620A	315T1663-1		1234567 FITTING ASSY-ATTACH (USED ON ITEMS 545A, 545C, 545D, 545E)	A,C,E ,G,J, L,N,Q ,S,U, W Y-AB, AG-AK ,AQ-A S,A W-AZ BD-BF ,BL,B N,BQ, BS,BU ,BW BY,CA ,CC,C E,CG, CJ,CL ,CN CQ,CS ,CU,C W,CY, DA,DC ,DE DG,DJ ,DL,D N,DQ, DS,DU ,DW DY,EA ,EC	1

78-31-15

 ILLUSTRATED PARTS LIST
 01.1 Page 1046F
 Jul 01/04

 **BOEING**
COMPONENT
MAINTENANCE MANUAL

FIG. & ITEM	PART NO.	AIRLINE PART NUMBER	NOMENCLATURE	EFF CODE	QTY PER ASSY
01-625	315T1663-6		1234567FITTING ASSY-ATTACH (USED ON ITEM 550)	B,D,F ,H,K, M,P,R ,T,V, X AC-AF ,AL-A P,A T-AV, BA-BC BG-BK ,BM,B P,BR, BT,BV ,BX BZ,CB ,CD,C F,CH, CK,CM ,CP CR,CT ,CV,C X,CZ, DB,DD ,DF DH,DK ,DM,D P,DR, DT,DV ,DX DZ,EB ,ED	1

78-31-15

ILLUSTRATED PARTS LIST

01.1 Page 1046G

Jul 01/04

FIG. & ITEM	PART NO.	AIRLINE PART NUMBER	NOMENCLATURE	EFF CODE	QTY PER ASSY
01-625A	315T1663-2		1234567 FITTING ASSY-ATTACH (USED ON ITEMS 550A, 550C, 550D, 550E)	B,D,F ,H,K, M,P,R ,T,V, X AC-AF ,AL-A P,A T-AV, BA-BC BG-BK ,BM,B P,BR, BT,BV ,BX BZ,CB ,CD,C F,CH, CK,CM ,CP CR,CT ,CV,C X,CZ, DB,DD ,DF DH,DK ,DM,D P,DR, DT,DV ,DX DZ,EB ,ED	1

78-31-15

 ILLUSTRATED PARTS LIST
 01.1 Page 1046H
 Jul 01/04

 **BOEING**
COMPONENT
MAINTENANCE MANUAL

FIG. & ITEM	PART NO.	AIRLINE PART NUMBER	NOMENCLATURE 1234567	EFF CODE	QTY PER ASSY
01- 630	HL1012AZ6-3		ATTACHING PARTSBOLT- (V97928) (SPEC BACB30NX6K3) (OPT HL12VAZ6-3 (V73197)) (OPT HL12VAZ6-3 (V92215)) (OPT HL12VAZ6-3 (V97928)) (OPT L802-6K3 (V06725)) (OPT HL12VAZ6-3 (V56878)) (OPT HL1012AZ6-3 (V0PTK6)) (OPT HL1012AZ6-3 (V06725)) (OPT HL1012AZ6-3 (V06950)) (OPT HL1012AZ6-3 (V17446)) (OPT HL1012AZ6-3 (V56878)) (OPT HL1012AZ6-3 (V60516)) (OPT HL1012AZ6-3 (V73197))		4

78-31-15

ILLUSTRATED PARTS LIST
01.1 Page 1046I
Jul 01/04

FIG. & ITEM	PART NO.	AIRLINE PART NUMBER	NOMENCLATURE	EFF CODE	QTY PER ASSY
01-635	HL1012AZ6-5		1234567BOLT- (V97928) (SPEC BACB30NX6K5) (OPT HL12VAZ6-5 (V73197)) (OPT HL12VAZ6-5 (V92215)) (OPT HL12VAZ6-5 (V97928)) (OPT L802-6K5 (V06725)) (OPT HL12VAZ6-5 (V56878)) (OPT HL1012AZ6-5 (V0PTK6)) (OPT HL1012AZ6-5 (V06725)) (OPT HL1012AZ6-5 (V06950)) (OPT HL1012AZ6-5 (V17446)) (OPT HL1012AZ6-5 (V56878)) (OPT HL1012AZ6-5 (V60516)) (OPT HL1012AZ6-5 (V73197)) (USED ON ITEMS 545, 545A, 545B, 545C, 545D, 550, 550A, 550B, 550C, 550D)		6

78-31-15

ILLUSTRATED PARTS LIST
 01.1 Page 1046J
 Jul 01/04

 **BOEING**
COMPONENT
MAINTENANCE MANUAL

FIG. & ITEM	PART NO.	AIRLINE PART NUMBER	NOMENCLATURE 1234567	EFF CODE	QTY PER ASSY
01-636	HL1012AZ6-5	BOLT- (V97928) (SPEC BACB30NX6K5) (OPT HL12VAZ6-5 (V73197)) (OPT HL12VAZ6-5 (V92215)) (OPT HL12VAZ6-5 (V97928)) (OPT L802-6K5 (V06725)) (OPT HL12VAZ6-5 (V56878)) (OPT HL1012AZ6-5 (V0PTK6)) (OPT HL1012AZ6-5 (V06725)) (OPT HL1012AZ6-5 (V06950)) (OPT HL1012AZ6-5 (V17446)) (OPT HL1012AZ6-5 (V56878)) (OPT HL1012AZ6-5 (V60516)) (OPT HL1012AZ6-5 (V73197)) (USED ON ITEMS 545E, 550E)		4

78-31-15

ILLUSTRATED PARTS LIST
01.1 Page 1046K
Jul 01/04

FIG. & ITEM	PART NO.	AIRLINE PART NUMBER	NOMENCLATURE 1234567	EFF CODE	QTY PER ASSY
01-637	HL1012AZ6-6	BOLT- (V97928) (SPEC BACB30NX6K6) (OPT HL12VAZ6-6 (V73197)) (OPT HL12VAZ6-6 (V92215)) (OPT HL12VAZ6-6 (V97928)) (OPT L802-6K6 (V06725)) (OPT HL12VAZ6-6 (V56878)) (OPT HL1012AZ6-6 (V0PTK6)) (OPT HL1012AZ6-6 (V06725)) (OPT HL1012AZ6-6 (V06950)) (OPT HL1012AZ6-6 (V17446)) (OPT HL1012AZ6-6 (V56878)) (OPT HL1012AZ6-6 (V60516)) (OPT HL1012AZ6-6 (V73197)) (USED ON ITEMS 545E, 550E)		2
638	BCREFA2984	FILLER- (BACF33C111-100DF) (USED ON ITEMS 545E, 550E)		1
639	315T1605-5	FILLER- (USED ON ITEMS 545E, 550E)		1

78-31-15

 ILLUSTRATED PARTS LIST
 01.1 Page 1046L
 Jul 01/04



BOEING
COMPONENT
MAINTENANCE MANUAL

FIG. & ITEM	PART NO.	AIRLINE PART NUMBER	NOMENCLATURE 1234567	EFF CODE	QTY PER ASSY
01-640	HL1187DUW6	COLLAR- (V5M902) (SPEC BACC30X6SW) (OPT HL87DUW6 (V73197)) (OPT HL87DUW6 (V92215)) (OPT HL1187DUW6 (V56878)) (OPT HL1187DUW6 (V92215)) (OPT HL87DUW6 (V56878)) (OPT HL1187DUW6 (V73197))		10

78-31-15

ILLUSTRATED PARTS LIST
01.1 Page 1046M
Jul 01/04

FIG. & ITEM	PART NO.	AIRLINE PART NUMBER	NOMENCLATURE	EFF CODE	QTY PER ASSY
			1234567		
01-645	BACR15BB6AD	RIVET- (SIZE DETERMINE ON INST) -----*-----		4
650	BACB28AP05P015	BUSHING		1
655	315T1663-7	FITTING- (USED ON ITEM 620)	A,C,E ,G,J, ,L,N,Q ,S,U, W Y-AB, AG-AK ,AQ-A S,A W-AZ BD-BF ,BL,B N,BQ, BS,BU ,BW BY,CA ,CC,C E,CG, CJ,CL ,CN CQ,CS ,CU,C W,CY, DA,DC ,DE DG,DJ ,DL,D N,DQ, DS,DU ,DW DY,EA ,EC	1

78-31-15

 ILLUSTRATED PARTS LIST
 01.1 Page 1046N
 Jul 01/04

 **BOEING**
COMPONENT
MAINTENANCE MANUAL

FIG. & ITEM	PART NO.	AIRLINE PART NUMBER	NOMENCLATURE	EFF CODE	QTY PER ASSY
01-655A	315T1663-3		1234567FITTING- (USED ON ITEM 620A)	A,C,E ,G,J, L,N,Q ,S,U, W Y-AB, AG-AK ,AQ-A S,A W-AZ BD-BF ,BL,B N,BQ, BS,BU ,BW BY,CA ,CC,C E,CG, CJ,CL ,CN CQ,CS ,CU,C W,CY, DA,DC ,DE DG,DJ ,DL,D N,DQ, DS,DU ,DW DY,EA ,EC	1

78-31-15

ILLUSTRATED PARTS LIST

01.1 Page 10460

Jul 01/04

FIG. & ITEM	PART NO.	AIRLINE PART NUMBER	NOMENCLATURE	EFF CODE	QTY PER ASSY
01-660	315T1663-8		1234567 FITTING- (USED ON ITEM 625)	B,D,F ,H,K, M,P,R ,T,V, X AC-AF ,AL-A P,A T-AV, BA-BC BG-BK ,BM,B P,BR, BT,BV ,BX BZ,CB ,CD,C F,CH, CK,CM ,CP CR,CT ,CV,C X,CZ, DB,DD ,DF DH,DK ,DM,D P,DR, DT,DV ,DX DZ,EB ,ED	1

78-31-15

 ILLUSTRATED PARTS LIST
 01.1 Page 1046P
 Jul 01/04

 **BOEING**
COMPONENT
MAINTENANCE MANUAL

FIG. & ITEM	PART NO.	AIRLINE PART NUMBER	NOMENCLATURE	EFF CODE	QTY PER ASSY
01-660A	315T1663-4		1234567FITTING- (USED ON ITEM 625A)	B,D,F ,H,K, M,P,R ,T,V, X AC-AF ,AL-A P,A T-AV, BA-BC BG-BK ,BM,B P,BR, BT,BV ,BX BZ,CB ,CD,C F,CH, CK,CM ,CP CR,CT ,CV,C X,CZ, DB,DD ,DF DH,DK ,DM,D P,DR, DT,DV ,DX DZ,EB ,ED	1

78-31-15

ILLUSTRATED PARTS LIST

01.1 Page 1046Q

Jul 01/04

FIG. & ITEM	PART NO.	AIRLINE PART NUMBER	NOMENCLATURE	EFF CODE	QTY PER ASSY
01- 665 -665A -670 -670A -675	315T1602-1 315T1602-101 315T1602-2 315T1602-102 315T1208-1		1234567 DELETED DELETED DELETED DELETED . .BAND INSTL-LATCH	A,C,E ,G,J, L,N,Q ,S,U, W Y-AB, AG-AK ,AQ-A S,A W-AZ BD-BF ,BL,B N,BQ, BS,BU ,BW BY,CA ,CC,C E,CG, CJ,CL ,CN CQ,CS ,CU,C W,CY, DA,DC ,DE DG,DJ ,DL,D N,DQ, DS,DU ,DW DY,EA ,EC	1

78-31-15

 ILLUSTRATED PARTS LIST
 01.1 Page 1046R
 Jul 01/04

 **BOEING**
COMPONENT
MAINTENANCE MANUAL

FIG. & ITEM	PART NO.	AIRLINE PART NUMBER	NOMENCLATURE	EFF CODE	QTY PER ASSY
01-680	315T1208-2		1234567 ..BAND INSTL-LATCH	B,D,F ,H,K, M,P,R ,T,V, X AC-AF ,AL-A P,A T-AV, BA-BC BG-BK ,BM,B P,BR, BT,BV ,BX BZ,CB ,CD,C F,CH, CK,CM ,CP CR,CT ,CV,C X,CZ, DB,DD ,DF DH,DK ,DM,D P,DR, DT,DV ,DX DZ,EB ,ED	1

78-31-15

ILLUSTRATED PARTS LIST

01.1 Page 1046S

Jul 01/04

FIG. & ITEM	PART NO.	AIRLINE PART NUMBER	NOMENCLATURE	EFF CODE	QTY PER ASSY
01-685-687	NAS6703-3 315T1208-5001		1234567 DELETED ...BAND INSTL-LATCH (REPLD BY ITEM 693)	A,C,E ,G,J, L,N,Q ,S,U, W Y-AB, AG-AK ,AQ-A S,A W-AZ BD-BF ,BL,B N,BQ, BS,BU ,BW BY,CA ,CC,C E,CG, CJ,CL ,CN CQ,CS ,CU,C W,CY, DA,DC ,DE DG,DJ ,DL,D N,DQ, DS,DU ,DW DY,EA ,EC	1

78-31-15

 ILLUSTRATED PARTS LIST
 01.1 Page 1046T
 Jul 01/04

 **BOEING**
COMPONENT
MAINTENANCE MANUAL

FIG. & ITEM	PART NO.	AIRLINE PART NUMBER	NOMENCLATURE	EFF CODE	QTY PER ASSY
01-690-693	AN960C10L 315T1208-5003		1234567 DELETED ...BAND INSTL-LATCH (REPLS ITEM 687)	A,C,E ,G,J, L,N,Q ,S,U, W Y-AB, AG-AK ,AQ-A S,A W-AZ BD-BF ,BL,B N,BQ, BS,BU ,BW BY,CA ,CC,C E,CG, CJ,CL ,CN CQ,CS ,CU,C W,CY, DA,DC ,DE DG,DJ ,DL,D N,DQ, DS,DU ,DW DY,EA ,EC	1

78-31-15

ILLUSTRATED PARTS LIST
01.1 Page 1046U
Jul 01/04

FIG. & ITEM	PART NO.	AIRLINE PART NUMBER	NOMENCLATURE	EFF CODE	QTY PER ASSY
01-695-697	315T1251-1 315T1208-5002		1234567 DELETED ...BAND INSTL-LATCH (REPLD BY ITEM 703)	B,D,F ,H,K, M,P,R ,T,V, X AC-AF ,AL-A P,A T-AV, BA-BC BG-BK ,BM,B P,BR, BT,BV ,BX BZ,CB ,CD,C F,CH, CK,CM ,CP CR,CT ,CV,C X,CZ, DB,DD ,DF DH,DK ,DM,D P,DR, DT,DV ,DX DZ,EB ,ED	1

78-31-15

ILLUSTRATED PARTS LIST
01.1 Page 1046V
Jul 01/04

 **BOEING**
COMPONENT
MAINTENANCE MANUAL

FIG. & ITEM	PART NO.	AIRLINE PART NUMBER	NOMENCLATURE	EFF CODE	QTY PER ASSY
01-700-703	BACB30PU5-26 315T1208-5004		1234567 DELETED ...BAND INSTL-LATCH (REPLD BY ITEM 697)	B,D,F ,H,K, M,P,R ,T,V, X AC-AF ,AL-A P,A T-AV, BA-BC BG-BK ,BM,B P,BR, BT,BV ,BX BZ,CB ,CD,C F,CH, CK,CM ,CP CR,CT ,CV,C X,CZ, DB,DD ,DF DH,DK ,DM,D P,DR, DT,DV ,DX DZ,EB ,ED	1

78-31-15

ILLUSTRATED PARTS LIST
01.1 Page 1046W
Jul 01/04

FIG. & ITEM	PART NO.	AIRLINE PART NUMBER	NOMENCLATURE 1234567	EFF CODE	QTY PER ASSY
01-					
704	NAS6703-3	BOLT		12
704E	AN960C10L	WASHER		12
704K	315T1251-1	RETAINER		12
704Q	BACB30PU5-26	BOLT		1
704V	AN960C416	WASHER		1
705	AN960C416		DELETED		
705A	BRH10C4M	NUT- (V52828) (SPEC BACN10JC4CM) (OPT T6C428JM (V11815)) (OPT 97E48 (V80539)) (OPT 109LH9075-4W (V72962)) (OPT VN303D048 (V92215)) (OPT 9NS202101SE048 (VA8053)) (OPT H01-4BAC (V15653))		1
707	315T1253-2	FITTING-ATTACH (USED ON ITEMS 693, 703)		1
710	BR1110C4M		DELETED		
715	315T1253-1	FITTING-ATTACH (USED ON ITEMS 687, 697)		1
720	315T1250-1	BAND ASSY- (USED ON ITEMS 687, 697)		1
-720A	315T1250-5	BAND ASSY- (USED ON ITEMS 693, 703)		1

78-31-15

 ILLUSTRATED PARTS LIST
 01.1 Page 1046X
 Jul 01/04

BOEING
COMPONENT
MAINTENANCE MANUAL

FIG. & ITEM	PART NO.	AIRLINE PART NUMBER	NOMENCLATURE 1234567	EFF CODE	QTY PER ASSY
01-725	HL441UC5-4	BOLT- (V97928) (SPEC BACB30FN5A4) (OPT HL441UC5-4 (V73197)) (OPT HL441UC5-4 (V92215)) (OPT HL41PY5-4 (V80539)) (OPT HL441N5-4 (V80539)) (OPT HL441UC5-4 (V80539)) (OPT 67068-5A4 (V56878)) (OPT HL441UC5-4 (V08524)) (OPT HL19-5A4 (V06725)) (OPT L839-5A4 (V06725)) (OPT HL441UC5-4 (V56878))		12
730	AN960P08L	WASHER		12
735	HL70-5	COLLAR- (V5M902) (SPEC BACC30M5) (OPT HL70-5 (V73197)) (OPT HL70-5 (V92215)) (OPT 66014-5 (V56878)) (OPT HL70-5 (V56878))		12
740	315T3252-1	FITTING-HINGE (USED ON ITEM 720)		1
-740A	315T3252-2	FITTING-HINGE (USED ON ITEM 720A)		1
745	9354-3		DELETED		
745A	H2942-9	HOOK- (V83014) (SPEC S315T114-3) (OPT 9354-3 (V84256))		1

78-31-15

ILLUSTRATED PARTS LIST
01.1 Page 1046Y
Jul 01/04

FIG. & ITEM	PART NO.	AIRLINE PART NUMBER	NOMENCLATURE 1234567	EFF CODE	QTY PER ASSY
01-					
750	315T1250-3	BAND		1
755	315T1537-1		DELETED		
755A	315T1537-2		DELETED		
760	AN960XC716L		..WASHER		6
765	AN960XC616L		DELETED		
765A	AN960XC516L		DELETED		
770	BACB28AK07-058		..BUSHING		6
775	BACB28AK07-080		DELETED		
780	MS14145-5		DELETED		
781	MS24665-300		DELETED		
781A	MS24665-227		DELETED		
785	BACB30LH4D25		..BOLT		6
790	315T1504-2		..WASHER-DRAG LINK		6
795	BACW10P186C		..WASHER		6
800	315T1504-1		..BUSHING-DRAG LINK		6
805	BACN10JD4CD		..NUT		6
806	MS24665-151		..PIN-COTTER		6
810	315T1511-1		..LINK ASSY-DRAG		6
815	315T3517-1		...BUSHING		2
820	P21110		DELETED		
820A	VTB08060		...BEARING ASSY-SLOTTED (V06710) (SPEC S302T001-305A) (OPT P21110 (V57606))		1
825	315T1511-3		DELETED		
825A	315T1511-2		...LINK		1
830	BACB30LM10-33		DELETED		
831	BACR15BB3AD		..RIVET- (SIZE DETERMINE ON INST)	A-P,A Q-BB, BD,BE ,BG-B Z DA-DE ,DH- ED	4

78-31-15

 ILLUSTRATED PARTS LIST
 01.1 Page 1046Z
 Nov 01/05

 **BOEING**
COMPONENT
MAINTENANCE MANUAL

FIG. & ITEM	PART NO.	AIRLINE PART NUMBER	NOMENCLATURE	EFF CODE	QTY PER ASSY
			1234567		
01-833	BACR15BB3AD		..RIVET- (SIZE DETERMINE ON INST)	Q-AP, BC,BF ,CA-C Z,DF, DG	4
835	315T1001-5		DELETED		
836	MS27253-2		..PLATE	A-P,A Q-BB, BD,BE ,BG-B Z DA-DE ,DH- ED	1
839	MS27253-2		..PLATE	Q-AP, BC,BF ,CA-C Z,DF, DG	1
840	BACB28AR10-078		DELETED		
845	H51650-10BAC		DELETED		
850	315T1013-1		DELETED		
855	VTB04971		DELETED		
860	315T1013-2		DELETED		

78-31-15

ILLUSTRATED PARTS LIST
01.1 Page 1047
Jul 01/04

FIG. & ITEM	PART NO.	AIRLINE PART NUMBER	NOMENCLATURE	EFF CODE	QTY PER ASSY
01- 865 865A	315T1500-1SP 315T1500-1		DELETED ..SLEEVE ASSY- (REF CMM 78-31-25)	A,C,E ,G,J, L,N,Q ,S,U, W Y-AB, AG-AK ,AQ-A S,A W-AZ BD-BF ,BL,B N,BQ, BS,BU ,BW BY,CA ,CC,C E,CG, CJ,CL ,CN CQ,CS ,CU,C W,CY, DA,DC ,DE DG,DJ ,DL,D N,DQ, DS,DU ,DW DY,EA ,EC	1
-870	315T1500-2SP		DELETED		

78-31-15

 ILLUSTRATED PARTS LIST
 01.1 Page 1048
 Jul 01/04

BOEING
COMPONENT
MAINTENANCE MANUAL

FIG. & ITEM	PART NO.	AIRLINE PART NUMBER	NOMENCLATURE 1234567	EFF CODE	QTY PER ASSY
01- -870A	315T1500-2		..SLEEVE ASSY- (REF CMM 78-31-25)	B,D,F ,H,K, M,P,R ,T,V, X AC-AF ,AL-A P,A T-AV, BA-BC BG-BK ,BM,B P,BR, BT,BV ,BX BZ,CB ,CD,C F,CH, CK,CM ,CP CR,CT ,CV,C X,CZ, DB,DD ,DF DH,DK ,DM,D P,DR, DT,DV ,DX DZ,EB ,ED	1
875	315T1002-1		DELETED		
876	315T1002-21		.COWL ASSY- (REF CMM 71-11-26)	E,AR, AX,BU ,DJ,D U	1
-876A	315T1002-15		.COWL ASSY- (REF CMM 71-11-26)	J,AS, AY,BQ ,DE,D S	1
876B	315T1002-27		DELETED		
-880	315T1002-2		DELETED		
-881	315T1002-22		DELETED		

78-31-15

ILLUSTRATED PARTS LIST
01.1 Page 1048A
Jul 01/04

FIG. & ITEM	PART NO.	AIRLINE PART NUMBER	NOMENCLATURE 1234567	EFF CODE	QTY PER ASSY
01- -881A	315T1002-16		.COWL ASSY- (REPLD BY ITEM 881B) (REF CMM 71-11-26)	K,BB, BR,DK	1
-881B	315T1002-18		.COWL ASSY-(REWORK) (REPLS ITEM 881A) (REF CMM 71-11-26)	K,BB, BR,DK	1
-885	315T1002-3		DELETED		
-886	315T1002-23		DELETED		
-886A	315T1002-17		.COWL ASSY- (REPLD BY ITEM 886B) (REF CMM 71-11-26)	L,BE, BS,DL	1
-886B	315T1002-19		.COWL ASSY-(REWORK) (REPLS ITEM 886A) (REF CMM 71-11-26)	L,BE, BS,DL	1
-890	315T1002-4		DELETED		
-891	315T1002-24		.COWL ASSY- (REF CMM 71-11-26)	H,AU, BA,BX ,DB,D V	1
-891A	315T1002-20		.COWL ASSY- (REF CMM 71-11-26)	M,AV, BJ,BT ,DH,D T	1
-891B	315T1002-28		DELETED		
895	BACR15BB3AD		DELETED		
900	MS27253-2		DELETED		
-905	315T1001-5018		.COLLECTOR-LIMITED POINT (REPLD BY ITEMS 905A, 905B)	A,AQ, AW,BL ,DA,D Q,DW, EA	1

78-31-15

 ILLUSTRATED PARTS LIST
 01.1 Page 1048B
 Jul 01/04



BOEING
COMPONENT
MAINTENANCE MANUAL

FIG. & ITEM	PART NO.	AIRLINE PART NUMBER	NOMENCLATURE 1234567	EFF CODE	QTY PER ASSY
01- -905A	315T1001-5017		.COLLECTOR-LIMITED POINT (REPLS ITEM 905) (REPLD BY ITEM 905B)	A,AQ, AW,BL ,DA,D Q,DW, EA	1
-905B	315T1001-5021		.COLLECTOR-LIMITED POINT (REPLS ITEMS 905, 905A)	A,AQ, AW,BL ,DA,D Q,DW, EA	1
-905C	315T1001-5029		.COLLECTOR-LIMITED POINT (REPLD BY ITEMS 905D, 905G, 905J)	N,AZ, BY,DN	1
-905D	315T1001-5033		.COLLECTOR-LIMITED POINT (REPLS ITEM 905C) (REPLD BY ITEMS 905G, 905J)	N,AZ, BY,DN	1
-905E	315T1001-5037		.COLLECTOR-LIMITED POINT (REPLD BY ITEMS 905F, 905H)	Q,Z, CA,CN	1
-905F	315T1001-5041		.COLLECTOR-LIMITED POINT (REPLS ITEM 905E) (REPLD BY ITEM 905H)	Q,Z, CA,CN	1
-905G	315T1001-5045		.COLLECTOR-LIMITED POINT (REPLS ITEMS 905C, 905D, 905J)	N,AZ, BY,DN	1
-905H	315T1001-5049		.COLLECTOR-LIMITED POINT (REPLS ITEMS 905E, 905F)	Q,Z, CA,CN	1
-905J	315T1001-5053		.COLLECTOR-LIMITED POINT (REPLS ITEMS 905C, 905D) (REPLD BY ITEM 905G)	N,AZ, BY,DN	1
-905K	315T1001-5057		.COLLECTOR-LIMITED POINT (VARIABLE)	U,CE	1
-905L	315T1001-5065		.COLLECTOR-LIMITED POINT (REPLD BY ITEM 905M)	Y,CJ	1
-905M	315T1001-5061		.COLLECTOR-LIMITED POINT (REPLS ITEM 905L)	Y,CJ	1
-905N	315T1001-5069		.COLLECTOR-LIMITED POINT (VARIABLE)	AA,CS	1
-905P	315T1001-5073		.COLLECTOR-LIMITED POINT (VARIABLE)	AB,CW	1

78-31-15

ILLUSTRATED PARTS LIST
01.1 Page 1048C
Jul 01/04

FIG. & ITEM	PART NO.	AIRLINE PART NUMBER	NOMENCLATURE 1234567	EFF CODE	QTY PER ASSY
01-					
-910	315T1001-5020		.COLLECTOR-LIMITED POINT (REPLD BY ITEM 910A)	B,BM, DX,EB	1
-910A	315T1001-5024		.COLLECTOR-LIMITED POINT (REPLS ITEM 910)	B,BM, DX,EB	1
-910B	315T1001-5030		.COLLECTOR-LIMITED POINT (REPLD BY ITEMS 910C, 910F, 910H)	F,BA, BV,DB	1
-910C	315T1001-5034		.COLLECTOR-LIMITED POINT (REPLS ITEM 910B) (REPLD BY ITEM 910F, 910H)	F,BA, BV,DB	1
-910D	315T1001-5038		.COLLECTOR-LIMITED POINT (REPLD BY ITEMS 910E, 910G)	R,AD, BC,CB ,CP,D F	1
-910E	315T1001-5042		.COLLECTOR-LIMITED POINT (REPLS ITEM 910D) (REPLD BY ITEM 910G)	R,AD, BC,CB ,CP,D F	1
-910F	315T1001-5046		.COLLECTOR-LIMITED POINT (REPLS ITEMS 910B, 910C, 910H)	F,BA, BV,DB	1
-910G	315T1001-5050		.COLLECTOR-LIMITED POINT (REPLS ITEMS 910D, 910E)	R,AD, BC,CB ,CP,D F	1
-910H	315T1001-5054		.COLLECTOR-LIMITED POINT (REPLS ITEMS 910B, 910C) (REPLD BY ITEM 910F)	F,BA, BV,DB	1
-910J	315T1001-5058		.COLLECTOR-LIMITED POINT (VARIABLE)	V,CF	1
-910K	315T1001-5066		.COLLECTOR-LIMITED POINT (REPLD BY ITEM 910L)	AC,CK	1
-910L	315T1001-5062		.COLLECTOR-LIMITED POINT (REPLS ITEM 910K)	AC,CK	1
-910M	315T1001-5070		.COLLECTOR-LIMITED POINT (VARIABLE)	AE,CT	1
-910N	315T1001-5074		.COLLECTOR-LIMITED POINT (VARIABLE)	AF,CX	1

78-31-15

 ILLUSTRATED PARTS LIST
 01.1 Page 1048D
 Jul 01/04



BOEING
COMPONENT
MAINTENANCE MANUAL

FIG. & ITEM	PART NO.	AIRLINE PART NUMBER	NOMENCLATURE 1234567	EFF CODE	QTY PER ASSY
01- -915	315T1001-5025		.COLLECTOR-LIMITED POINT (REPLD BY ITEMS 915A, 915B)	C,BN, DY,EC	1
-915A	315T1001-5019		.COLLECTOR-LIMITED POINT (REPLS ITEM 915) (REPLD BY ITEM 915B)	C,BN, DY,EC	1
-915B	315T1001-5023		.COLLECTOR-LIMITED POINT (REPLS ITEMS 915, 915A)	C,BN, DY,EC	1
-915C	315T1001-5031		.COLLECTOR-LIMITED POINT (REPLD BY ITEMS 915D, 915G, 915J)	G,BD, BW,DC	1
-915D	315T1001-5035		.COLLECTOR-LIMITED POINT (REPLS ITEM 915C) (REPLD BY ITEMS 915G, 915J)	G,BD, BW,DC	1
-915E	315T1001-5039		.COLLECTOR-LIMITED POINT (REPLD BY ITEMS 915F, 915H)	S,AH, BF,CC ,CQ,D G	1
-915F	315T1001-5043		.COLLECTOR-LIMITED POINT (REPLS ITEM 915E) (REPLD BY ITEM 915H)	S,AH, BF,CC ,CQ,D G	1
-915G	315T1001-5047		.COLLECTOR-LIMITED POINT (REPLS ITEMS 915C, 915D, 915J)	G,BD, BW,DC	1
-915H	315T1001-5051		.COLLECTOR-LIMITED POINT (REPLS ITEMS 915E, 915F)	S,AH, BF,CC ,CQ,D G	1
-915J	315T1001-5055		.COLLECTOR-LIMITED POINT (REPLS ITEMS 915C, 915D) (REPLD BY ITEM 915G)	G,BD, BW,DC	1
-915K	315T1001-5059		.COLLECTOR-LIMITED POINT (VARIABLE)	W,CG	1
-915L	315T1001-5067		.COLLECTOR-LIMITED POINT (REPLD BY ITEM 915M)	AG,CL	1
-915M	315T1001-5063		.COLLECTOR-LIMITED POINT (REPLS ITEM 915L)	AG,CL	1
-915N	315T1001-5071		.COLLECTOR-LIMITED POINT (VARIABLE)	AJ,CU	1
-915P	315T1001-5075		.COLLECTOR-LIMITED POINT (VARIABLE)	AK,CY	1

78-31-15

ILLUSTRATED PARTS LIST
01.1 Page 1048E
Jul 01/04

FIG. & ITEM	PART NO.	AIRLINE PART NUMBER	NOMENCLATURE 1234567	EFF CODE	QTY PER ASSY
01- -920	315T1001-5028		.COLLECTOR-LIMITED POINT (REPLD BY ITEM 920A)	D,AT, BG,BP ,DD,D R,DZ, ED	1
-920A	315T1001-5027		.COLLECTOR-LIMITED POINT (REPLS ITEM 920)	D,AT, BG,BP ,DD,D R,DZ, ED	1
-920B	315T1001-5032		.COLLECTOR-LIMITED POINT (REPLD BY ITEMS 920C, 920F, 920H)	P,BK, BZ,DP	1
-920C	315T1001-5036		.COLLECTOR-LIMITED POINT (REPLS ITEM 920B) (REPLD BY ITEMS 920F, 920H)	P,BK, BZ,DP	1
-920D	315T1001-5040		.COLLECTOR-LIMITED POINT (REPLD BY ITEMS 920E, 920G)	T,AM, CD,CR	1
-920E	315T1001-5044		.COLLECTOR-LIMITED POINT (REPLS ITEM 920D) (REPLD BY ITEM 920G)	T,AM, CD,CR	1
-920F	315T1001-5048		.COLLECTOR-LIMITED POINT (REPLS ITEMS 920B, 920C, 920H)	P,BK, BZ,DP	1
-920G	315T1001-5052		.COLLECTOR-LIMITED POINT (REPLS ITEMS 920D, 920E)	T,AM, CD,CR	1
-920H	315T1001-5056		.COLLECTOR-LIMITED POINT (REPLS ITEMS 920B, 920C) (REPLD BY ITEM 920F)	P,BK, BZ,DP	1
-920J	315T1001-5060		.COLLECTOR-LIMITED POINT (VARIABLE)	X,CH	1
-920K	315T1001-5068		.COLLECTOR-LIMITED POINT (REPLD BY ITEM 920L)	AL,CM	1
-920L	315T1001-5064		.COLLECTOR-LIMITED POINT (REPLS ITEM 920M)	AL,CM	1
-920M	315T1001-5072		.COLLECTOR-LIMITED POINT (VARIABLE)	AN,CV	1
-920N	315T1001-5076		.COLLECTOR-LIMITED POINT (VARIABLE)	AP,CZ	1

78-31-15

 ILLUSTRATED PARTS LIST
 01.1 Page 1048F
 Jul 01/04



BOEING
COMPONENT
MAINTENANCE MANUAL

FIG. & ITEM	PART NO.	AIRLINE PART NUMBER	NOMENCLATURE 1234567	EFF CODE	QTY PER ASSY
01-921	315T1002-1		..COWL ASSY- (REF CMM 71-11-25)	A,AQ, AW,BL ,DA,D Q,DW, EA	1
921A	315T1002-27		..COWL ASSY- (REF CMM 71-11-26)	N,AZ, BY,DN	1
921B	315T1002-29		..COWL ASSY- (REF CMM 71-11-26)	Q,U,Z ,AA, CA,CE ,CN,C S	1
-921C	315T1002-35		..COWL ASSY- (REF CMM 71-11-26)	Y,AB, CJ,CW	1
-922	315T1002-2		..COWL ASSY- (REF CMM 71-11-25)	B,BM, DX,EB	1
-922A	315T1002-22		..COWL ASSY- (REF CMM 71-11-26)	F,BA, BV,DB	1
-922B	315T1002-30		..COWL ASSY- (REF CMM 71-11-26)	R,V,A D,AE, BC,CB ,CF,C P,CT, DF	1
-922C	315T1002-36		..COWL ASSY- (REF CMM 71-11-26)	AC,AF ,CK,C X	1
-923	315T1002-3		..COWL ASSY- (REF CMM 71-11-25)	C,BN, DY,EC	1

78-31-15

ILLUSTRATED PARTS LIST
01.1 Page 1048G
Nov 01/05

FIG. & ITEM	PART NO.	AIRLINE PART NUMBER	NOMENCLATURE 1234567	EFF CODE	QTY PER ASSY
01-					
-923A	315T1002-23		..COWL ASSY- (REF CMM 71-11-26)	G,BD, BW,DC	1
-923B	315T1002-31		..COWL ASSY- (REF CMM 71-11-26)	S,W,A H,AJ, BF,CC ,CG,C Q,CU, DG	1
-923C	315T1002-37		..COWL ASSY- (REF CMM 71-11-26)	AG,AK ,CL,C Y	1
-924	315T1002-4		..COWL ASSY- (REF CMM 71-11-25)	D,AT, BG,BP ,DD,D R,DZ, ED	1
-924A	315T1002-28		..COWL ASSY- (REF CMM 71-11-26)	P,BK, BZ,DP	1
-924B	315T1002-32		..COWL ASSY- (REF CMM 71-11-26)	T,X,A M,AN, CD,CH ,CR,C V	1
-924C	315T1002-38		..COWL ASSY- (REF CMM 71-11-26)	AL,AP ,CM,C Z	1
-925	315T1602-1		..ACTUATOR AND TUBING INSTL (USED ON ITEMS 905, 915) (REWORK DWG 315T1602-103) (FOR DETAILS SEE FIG. 3)	A,C,A Q,AW, BL,BN ,DA,D Q,DW DY,EA ,EC	1

78-31-15

 ILLUSTRATED PARTS LIST
 01.1 Page 1048H
 Nov 01/05

 **BOEING**
COMPONENT
MAINTENANCE MANUAL

FIG. & ITEM	PART NO.	AIRLINE PART NUMBER	NOMENCLATURE	EFF CODE	QTY PER ASSY
01- -925A	315T1602-101		1234567 ..ACTUATOR AND TUBING INSTL (USED ON ITEMS 905A, 905B, 915A, 915B) (FOR DETAILS SEE FIG. 3)	A,C,G ,N,Q, S,U,W ,Y-AB AG-AK ,AQ,A W,AZ, BD,BF ,BL BN,BW ,BY, CA,CC ,CE,C G,CJ CL,CN ,CQ,C S,CU, CW,CY ,DA DC,DG ,DN,D Q,DW, DY,EA ,EC	1
-925B	315T1602-103		DELETED		
-925C	315T1602-101		DELETED		
-930	315T1602-2		..ACTUATOR AND TUBING INSTL (USED ON ITEMS 910, 920) (REWORK DWG 315T1602-104) (FOR DETAILS SEE FIG. 3)	B,D,A T,BG, BM,BP ,DD,D R,DX DZ,EB ,ED	1

78-31-15

ILLUSTRATED PARTS LIST
01.1 Page 1048I
Jul 01/04

FIG. & ITEM	PART NO.	AIRLINE PART NUMBER	NOMENCLATURE	EFF CODE	QTY PER ASSY
01- -930A	315T1602-102		1234567 ..ACTUATOR AND TUBING INSTL (USED ON ITEMS 910A, 920A) (FOR DETAILS SEE FIG. 3)	B,D,F ,P,R, ,T,V,X ,AC-A F AL-AP ,AT, BA,BC ,BG,B K,BM BP,BV ,BZ, CB,CD ,CF,C H,CK CM,CP ,CR,C T,CV, CX,CZ ,DB DD,DF ,DP,D R,DX, DZ,EB ,ED	1
-930B	315T1602-104		DELETED		
-930C	315T1602-102		DELETED		
-931	315T1657-1		..TUBING INSTL-OPENING ACTR (FOR DETAILS SEE FIG. 6)	Q,S,Y ,Z,AG ,AH,B F,CA, CC,CJ CL,CN ,CQ,D G	1

78-31-15

 ILLUSTRATED PARTS LIST
 01.1 Page 1048J
 Jul 01/04



BOEING
COMPONENT
MAINTENANCE MANUAL

FIG. & ITEM	PART NO.	AIRLINE PART NUMBER	NOMENCLATURE 1234567	EFF CODE	QTY PER ASSY
01- -932	315T1657-2		..TUBING INSTL-OPENING ACTR (FOR DETAILS SEE FIG. 6)	R,T,A C,AD, AL,AM ,BC, CB,CD CK,CM ,CP,C R,DF	1
-935	315T1655-1		..SWITCH INSTL-ACTR AND OVERRIDE (USED ON ITEMS 905, 905A, 915, 915A) (FOR DETAILS SEE FIG. 5)	A,C,A Q,AW, BL,BN ,DA,D Q,DW DY,EA ,EC	1
-935A	315T1655-3		..SWITCH INSTL-ACTR AND OVERRIDE (USED ON ITEMS 905B, 915B) (FOR DETAILS SEE FIG. 5)	A,C,A Q,AW, BL,BN ,DA,D Q,DW DY,EA ,EC	1
-935B	315T1655-3		..SWITCH INSTL-ACTR AND OVERRIDE (FOR DETAILS SEE FIG. 5)	G,N,A Z,BD, BW,BY ,DC,D N	1
-935C	315T3655-7		..SWITCH INSTL-OVERRIDE ACTR (VARIABLE) (FOR DETAILS SEE FIG. 10)	U,W,A A,AB, AJ,AK ,CE,C G,CS CU,CW ,CY	1

78-31-15

ILLUSTRATED PARTS LIST
01.1 Page 1048K
Jul 01/04

FIG. & ITEM	PART NO.	AIRLINE PART NUMBER	NOMENCLATURE 1234567	EFF CODE	QTY PER ASSY
01- -936	315T1655-2		..SWITCH INSTL-ACTR AND OVERRIDE (FOR DETAILS SEE FIG. 5)	B,D,F ,P,AT ,BA,B ,G,BK, BM,BP BV,BZ ,DB,D D,DP, DR,DX ,DZ EB,ED	1
-936A	315T3655-8		..SWITCH INSTL-OVERRIDE ACTR (VARIABLE) (FOR DETAILS SEE FIG. 10)	V,X,A E,AF, AN,AP ,CF,C H,CT CV,CX ,CZ G,N,Q	1
-937	315T3156-3		..BRACKET INSTL- DEACTIVATION PIN STOWAGE (USED ON ITEMS 905D, 905F, 905G, 905H, 905J, 915D, 915F, 915G, 915H, 915J) (FOR DETAILS SEE FIG. 7)	,S,U, W,Y-A B,A G-AK AZ,BD ,BF,B W,BY, CA,CC ,CE CG,CJ ,CL,C N,CQ, CS,CU ,CW CY,DC ,DG,D N	1

78-31-15

 ILLUSTRATED PARTS LIST
 01.1 Page 1048L
 Jul 01/04

 **BOEING**
COMPONENT
MAINTENANCE MANUAL

FIG. & ITEM	PART NO.	AIRLINE PART NUMBER	NOMENCLATURE	EFF CODE	QTY PER ASSY
01-938	315T3156-4		1234567 ..BRACKET INSTL- DEACTIVATION PIN STOWAGE (USED ON ITEMS 910C, 910E, 910F, 910G, 910H, 920C, 920E, 920F, 920G, 920H) (FOR DETAILS SEE FIG. 7)	F,P,R ,T,V, X,A C-AF, AL-AP BA,BC ,BK,B V,BZ, CB,CD ,CF CH,CK ,CM,C P,CR, CT,CV ,CX CZ,DB ,DF,D P	1
939	315T3157-1		..PIN ASSY-GND MAINTAINANCE DEACTIVATION (USED ON ITEMS 905D, 905F, 910C, 910E, 915D, 915F, 920C, 920E) (FOR DETAILS SEE FIG. 8)	F,G, N-T,Z ,AD,A H,AM, AZ BA,BC ,BD,B F,BK, BV,BW BY-CD ,CN-C R,DB, DC,DF ,DG DN,DP	1

78-31-15

ILLUSTRATED PARTS LIST
01.1 Page 1048M
Jul 01/04

FIG. & ITEM	PART NO.	AIRLINE PART NUMBER	NOMENCLATURE	EFF CODE	QTY PER ASSY
01- -939A	315T3157-7		1234567 ..PIN ASSY-GND MAINTAINANCE DEACTIVATION (USED ON ITEMS 905G, 905H, 905J, 905L, 910F, 910G, 910H, 910K, 915G, 915H, 915J, 915L, 920F, 920G, 920H, 920K) (FOR DETAILS SEE FIG. 8)	F,G, N-Z,A C,AD, AG,AH ,AL,A M AZ,BA ,BC,B D,BF, BK,BV ,BW BY-CR ,DB, DC,DF ,DG,D N,DP	1
-939B	315T4157-1		..PIN ASSY-GND MAINTAINANCE DEACTIVATION (USED ON ITEMS 905M, 910L, 915M, 920L) (FOR DETAILS SEE FIG. 11)	Y,AC, AG,AL ,CJ-C M	1
-940 -940A 940B	315T1602-101 315T1602-102 315T1537-2		DELETED DELETED ..BOLT- (USED ON ITEMS 905C, 905D, 905E, 905F, 905J, 910B, 910C, 910D, 910E, 910H, 915C, 915D, 915E, 915F, 915J, 920B, 920C, 920D, 920E, 920H) (USED WITH ITEMS 942, 943, 946)	A-D,F ,G, N-T,Z ,AD,A H,AM, AQ AT,AW ,AZ, BA,BC ,BD,B F,BG BK-BP ,BV,B W,B Y-CD, CN-CR DA-DD ,DF,D G,D N-DR, DW-ED	6

78-31-15

 **BOEING**
COMPONENT
MAINTENANCE MANUAL

FIG. & ITEM	PART NO.	AIRLINE PART NUMBER	NOMENCLATURE	EFF CODE	QTY PER ASSY
01- -940C	315T1537-2		1234567 ..BOLT- (ITEM 940C TOGETHER WITH ITEM 943A, ITEM 946A AND ITEM 942B IS OPT TO ITEM 940D TOGETHER WITH ITEM 947 AND ITEM 942A) (USED ON ITEMS 905G, 905H, 910F, 910G, 915G, 915H, 920F, 920G)	F,G, N-X,Z ,AA,A D,AE, AH,AJ AM,AN ,AZ, BA,BC ,BD,B F,BK BV,BW ,BY-C H,C N-CV, DB,DC DF,DG ,DN,D P	6
-940D	NAS6707-32		..BOLT- (ITEM 940C TOGETHER WITH ITEM 943A, ITEM 946A AND ITEM 942B IS OPT TO ITEM 940D TOGETHER WITH ITEM 947 AND ITEM 942A) (USED ON ITEMS 905G, 905H, 910F, 910G, 915G, 915H, 920F, 920G)	F,G, N-X,Z ,AA,A D,AE, AH,AJ AM,AN ,AZ, BA,BC ,BD,B F,BK BV,BW ,BY-C H,C N-CV, DB,DC DF,DG ,DN,D P	6

78-31-15

ILLUSTRATED PARTS LIST
01.1 Page 10480
Jul 01/04

FIG. & ITEM	PART NO.	AIRLINE PART NUMBER	NOMENCLATURE 1234567	EFF CODE	QTY PER ASSY
01- -940E	315T1537-2		..BOLT- (OPT ITEM 940F) (USED WITH ITEMS 942, 943, 946)	Y,AB, AC,AF ,AG,A K,AL, AP CJ-CM ,CW-C Z	6
-940F	BACB30LJ7-32		..BOLT- (OPT ITEM 940E) (USED WITH ITEMS 942, 943, 946)	Y,AB, AC,AF ,AG,A K,AL, AP CJ-CM ,CW-C Z	6
941	BACB28AK07-080		..BUSHING- (USED ON ITEMS 905C, 905D, 905E, 905F, 905J, 910B, 910C, 910D, 910E, 910H, 915C, 915D, 915E, 915F, 915J, 920B, 920C, 920D, 920E, 920H)	A-D,F ,G, N-T,Z ,AD,A H,AM, AQ AT,AW ,AZ, BA,BC ,BD,B F,BG BK-BP ,BV,B W,B Y-CD, CN-CR DA-DD ,DF,D G,D N-DR, DW-ED	6

78-31-15

 ILLUSTRATED PARTS LIST
 01.1 Page 1048P
 Jul 01/04

 **BOEING**
COMPONENT
MAINTENANCE MANUAL

FIG. & ITEM	PART NO.	AIRLINE PART NUMBER	NOMENCLATURE 1234567	EFF CODE	QTY PER ASSY
01- -941A	KJB247307B		..BUSHING- (V50632) (OPT ITEM 941B) (USED ON ITEMS 905G, 905H, 910F, 910G, 915G, 915H, 920F, 920G)	F,G, N-AP, AZ,BA ,BC,B D,BF BK,BV ,BW,B Y-CZ, DB,DC ,DF DG,DN ,DP	6
-941B	BACB28AK07-080		..BUSHING- (OPT ITEM 941A) (USED ON ITEMS 905G, 905H, 910F, 910G, 915G, 915H, 920F, 920G)	F,G, N-AP, AZ,BA ,BC,B D,BF BK,BV ,BW,B Y-CZ, DB,DC ,DF DG,DN ,DP	6

78-31-15

ILLUSTRATED PARTS LIST
01.1 Page 1048Q
Jul 01/04

FIG. & ITEM	PART NO.	AIRLINE PART NUMBER	NOMENCLATURE	EFF CODE	QTY PER ASSY
01-942	AN960XC516L		1234567 ..WASHER- (USED WITH ITEMS 940B, 940E, 940F, 943, 946)	A-D, F ,G, N-T, Y ,Z, A B-AD AF-AH ,AL, A M, AP, AQ, AT ,AW AZ, BA ,BC, B D, BF, BG, B K-BP BV, BW ,BY-C D, C J-CR, CW, CX CZ, DX A-DD, DF, DG ,DN-D R DW-ED	6
-942A	AN960-716L		..WASHER- (ITEM 940C TOGETHER WITH ITEM 943A, ITEM 946A AND ITEM 942B IS OPT TO ITEM 940D TOGETHER WITH ITEM 947 AND ITEM 942A) (USED ON ITEMS 905G, 905H, 910F, 910G, 915G, 915H, 920F, 920G)	F, G, N-X, Z ,AA, A D, AE, AH, AJ AM, AN ,AZ, BA, BC ,BD, B F, BK BV, BW ,BY-C H, C N-CV, DB, DC DF, DG ,DN, D P	6

78-31-15

 ILLUSTRATED PARTS LIST
 01.1 Page 1048R
 Jul 01/04

 **BOEING**
COMPONENT
MAINTENANCE MANUAL

FIG. & ITEM	PART NO.	AIRLINE PART NUMBER	NOMENCLATURE	EFF CODE	QTY PER ASSY
01- -942B	AN960XC516L		1234567 ..WASHER- (ITEM 940C TOGETHER WITH ITEM 943A, ITEM 946A AND ITEM 942B IS OPT TO ITEM 940D TOGETHER WITH ITEM 947 AND ITEM 942A) (USED ON ITEMS 905G, 905H, 910F, 910G, 915G, 915H, 920F, 920G)	F,G, N-X,Z ,AA,A D,AE, AH,AJ AM,AN ,AZ, BA,BC ,BD,B F,BK BV,BW ,BY-C H,C N-CV, DB,DC DF,DG ,DN,D P	6
943	MS14145-5		..NUT- (USED WITH ITEMS 940B, 940E, 940F, 942, 946)	A-D,F ,G, N-T,Y ,Z,A B-AD AF-AH ,AL,A M,AP, AQ,AT ,AW AZ,BA ,BC,B D,BF, BG,B K-BP BV,BW ,BY-C D,C J-CR, CW,CX CZ,DX A-DD, DF,DG ,DN-D R DW-DZ	6

78-31-15

ILLUSTRATED PARTS LIST
01.1 Page 1048S
Jul 01/04

FIG. & ITEM	PART NO.	AIRLINE PART NUMBER	NOMENCLATURE	EFF CODE	QTY PER ASSY
01- -943A	MS14145-5		1234567 ..NUT- (ITEM 940C TOGETHER WITH ITEM 943A, ITEM 946A AND ITEM 942B IS OPT TO ITEM 940D TOGETHER WITH ITEM 947 AND ITEM 942A) (USED ON ITEMS 905G, 905H, 910F, 910G, 915G, 915H, 920F, 920G)	F,G, N-X,Z ,AA,A D,AE, AH,AJ AM,AN ,AZ, BA,BC ,BD,B F,BK BV,BW ,BY-C H,C N-CV, DB,DC DF,DG ,DN,D P	6
-944	315T1602-101		DELETED		

78-31-15

 ILLUSTRATED PARTS LIST
 01.1 Page 1048T
 Jul 01/04



BOEING
COMPONENT
MAINTENANCE MANUAL

FIG. & ITEM	PART NO.	AIRLINE PART NUMBER	NOMENCLATURE	EFF CODE	QTY PER ASSY
01-			1234567		
-944A	315T1602-102		DELETED		
-945	315T1655-3		DELETED		
-945A	315T1655-2		DELETED		
946	MS24665-227		..PIN-COTTER (USED WITH ITEMS 940B, 940E, 940F, 942, 943)	A-D,F ,G, N-T,Y ,Z,A B-AD AF-AH ,AL,A M,AP, AQ,AT ,AW AZ,BA ,BC,B D,BF, BG,B K-BP BV,BW ,BY-C D,C J-CR, CW,CX CZ,DX A-DD, DF,DG ,DN-D R DW-ED	6

78-31-15

ILLUSTRATED PARTS LIST
01.1 Page 1048U
Jul 01/04

FIG. & ITEM	PART NO.	AIRLINE PART NUMBER	NOMENCLATURE	EFF CODE	QTY PER ASSY
01- -946A	MS24665-227		1234567 ..PIN- (ITEM 940C TOGETHER WITH ITEM 943A, ITEM 946A AND ITEM 942B IS OPT TO ITEM 940D TOGETHER WITH ITEM 947 AND ITEM 942A) (USED ON ITEMS 905G, 905H, 910F, 910G, 915G, 915H, 920F, 920G)	F,G, N-X,Z ,AA,A D,AE, AH,AJ AM,AN ,AZ, BA,BC ,BD,B F,BK BV,BW ,BY-C H,C N-CV, DB,DC DF,DG ,DN,D P	6
947	BRH10A7		..NUT- (V52828) (SPEC BACN10JC7) (OPT H10-7BAC (V15653)) (OPT RMLH9075-7 (V72962)) (OPT 96-070 (V80539)) (ITEM 940C TOGETHER WITH ITEM 943A, ITEM 946A AND ITEM 942B IS OPT TO ITEM 940D TOGETHER WITH ITEM 947 AND ITEM 942A) (USED ON ITEMS 905G, 905H, 910F, 910G, 915G, 915H, 920F, 920G)	F,G, N-X,Z ,AA,A D,AE, AH,AJ AM,AN ,AZ, BA,BC ,BD,B F,BK BV,BW ,BY-C H,C N-CV, DB,DC DF,DG ,DN,D P	6
			DELETED		

78-31-15

 ILLUSTRATED PARTS LIST
 01.1 Page 1048V
 Jul 01/04

 **BOEING**
COMPONENT
MAINTENANCE MANUAL

FIG. & ITEM	PART NO.	AIRLINE PART NUMBER	NOMENCLATURE 1234567	EFF CODE	QTY PER ASSY
01- -955 -960	288T3199 315T1602-101		DELETED .ACTUATOR AND TUBING INSTL- (FOR DETAILS SEE FIG. 3)	E,J,L ,AR,A S,AX, AY,BE ,BQ BS,BU ,DE,D J,DL, DS,DU	1
-960A	315T1602-102		.ACTUATOR AND TUBING INSTL- (FOR DETAILS SEE FIG. 3)	H,K,M ,AU,A V,BA, BB,BJ ,BR BT,BX ,DB,D H,DK, DT,DV	1
-961	315T1655-3		.SWITCH INSTL- (FOR DETAILS SEE FIG. 5)	E,J,L ,AR,A S,AX, AY,BE ,BQ BS,BU ,DE,D J,DL, DS,DU	1
-961A	315T1655-2		.SWITCH INSTL-ACTR AND OVERRIDE (FOR DETAILS SEE FIG. 5)	H,K,M ,AU,A V,BA, BB,BJ ,BR BT,BX ,DB,D H,DK, DT,DV	1

78-31-15

ILLUSTRATED PARTS LIST
01.1 Page 1048W
Jul 01/04

FIG. & ITEM	PART NO.	AIRLINE PART NUMBER	NOMENCLATURE 1234567	EFF CODE	QTY PER ASSY
01-963	315T1537-2		.BOLT	E,H-M ,AR,A S,AU, AV,AX ,AY BA,BB ,BE,B J,B Q-BU, BX,DB DE,DB H-DL, DS-DV	6
964	AN960XC516L		.WASHER	E,H-M ,AR,A S,AU, AV,AX ,AY BA,BB ,BE,B J,B Q-BU, BX,DB DE,DB H-DL, DS-DV	6
965	MS14145-5		.NUT	E,H-M ,AR,A S,AU, AV,AX ,AY BA,BB ,BE,B J,B Q-BU, BX,DB DE,DB H-DL, DS-DV	6

78-31-15

 ILLUSTRATED PARTS LIST
 01.1 Page 1048X
 Jul 01/04

BOEING
COMPONENT
MAINTENANCE MANUAL

FIG. & ITEM	PART NO.	AIRLINE PART NUMBER	NOMENCLATURE 1234567	EFF CODE	QTY PER ASSY
01- 965J	MS24665-227		.PIN-COTTER	E,H-M ,AR,A S,AU, AV,AX ,AY BA,BB ,BE,B J,B Q-BU, BX,DB DE,DB H-DL, DS-DV	6
965S	BACB28AK07-080		.BUSHING	E,H-M ,AR,A S,AU, AV,AX ,AY BA,BB ,BE,B J,B Q-BU, BX,DB DE,DB H-DL, DS-DV	6
966	MS24665-227		DELETED		
966A	NAS1801-3-4		DELETED		
966D	AN960C10L		DELETED		
966H	H10-3BAC		DELETED		
966M	JM44LC39S102RG		DELETED		
966S	NAS1801-3-12		DELETED		
966W	BACR15BB6AD4		DELETED		
967	BACB28AK07-080		DELETED		
967A	MS35338-138		DELETED		
967D	AN960JD10L		DELETED		
967H	MS35650-302		DELETED		
967M	MS21042L3		DELETED		
967S	315T4725-10		DELETED		
968	BAC27TTR59		DELETED		
-968A	BAC27TTR60		DELETED		
969	BAC27TTR61		DELETED		
-969A	BAC27TTR62		DELETED		
-970	BAC27TTR77		DELETED		
975	BAC27TTR63		DELETED		

78-31-15

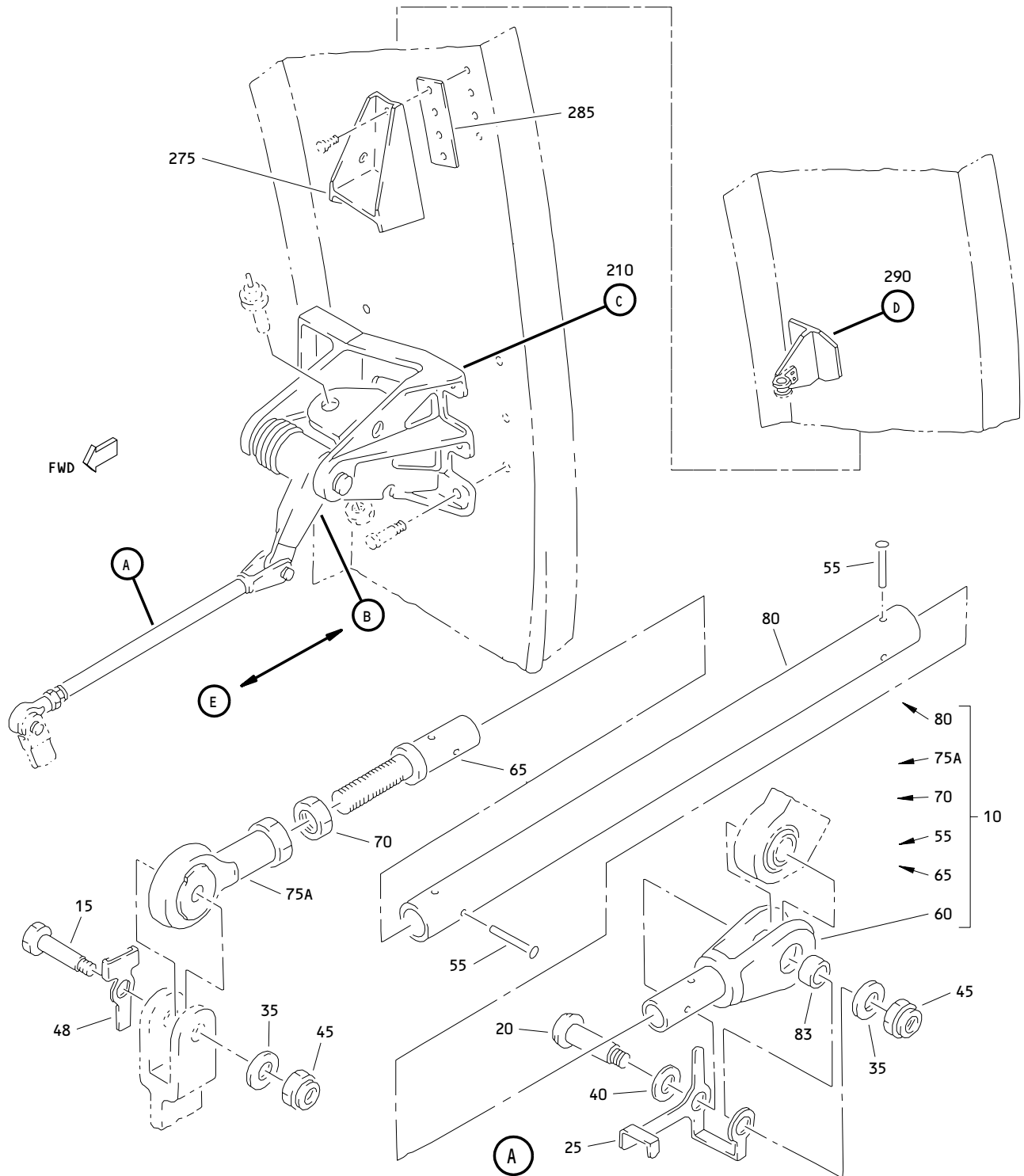
ILLUSTRATED PARTS LIST
01.1 Page 1048Y
Jul 01/04

FIG. & ITEM	PART NO.	AIRLINE PART NUMBER	NOMENCLATURE	EFF CODE	QTY PER ASSY
			1234567		
01-					
-975A	BAC27TTR64		DELETED		
-976	BAC27TTR75		DELETED		
-976A	BAC27TTR74		DELETED		
977	BAC27TTR0018		DELETED		
-992	288T3199		INSTALLATION PARTS WIRE BUNDLE INSTL-FAN DUCT COWL AND THRUST REVERSER (FOR DETAILS SEE FIG. 4) INSTALLATION PARTS (THESE PARTS ARE NEEDED FOR THE INCORPORATION OF SB 767-78-0060) (FOR DETAILS SEE FIG. 12)	BL-DV EA- ED	RF

- Item Not Illustrated

78-31-15

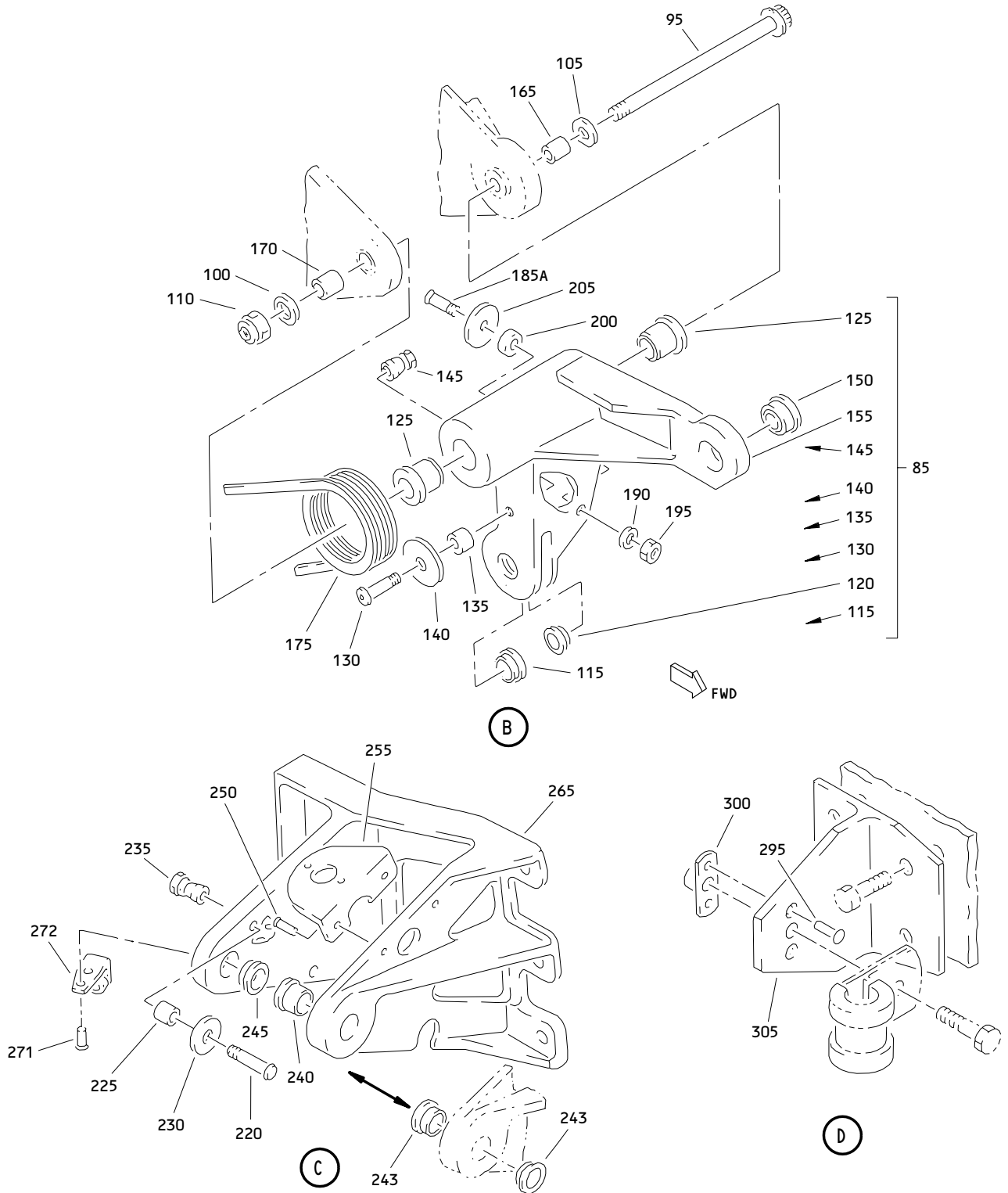
ILLUSTRATED PARTS LIST
01.1 Page 1048Z
Jul 01/04



Fan Duct Cowl and Thrust Reverser Feedback Interlock Installation
 Figure 2 (Sheet 1)

78-31-15

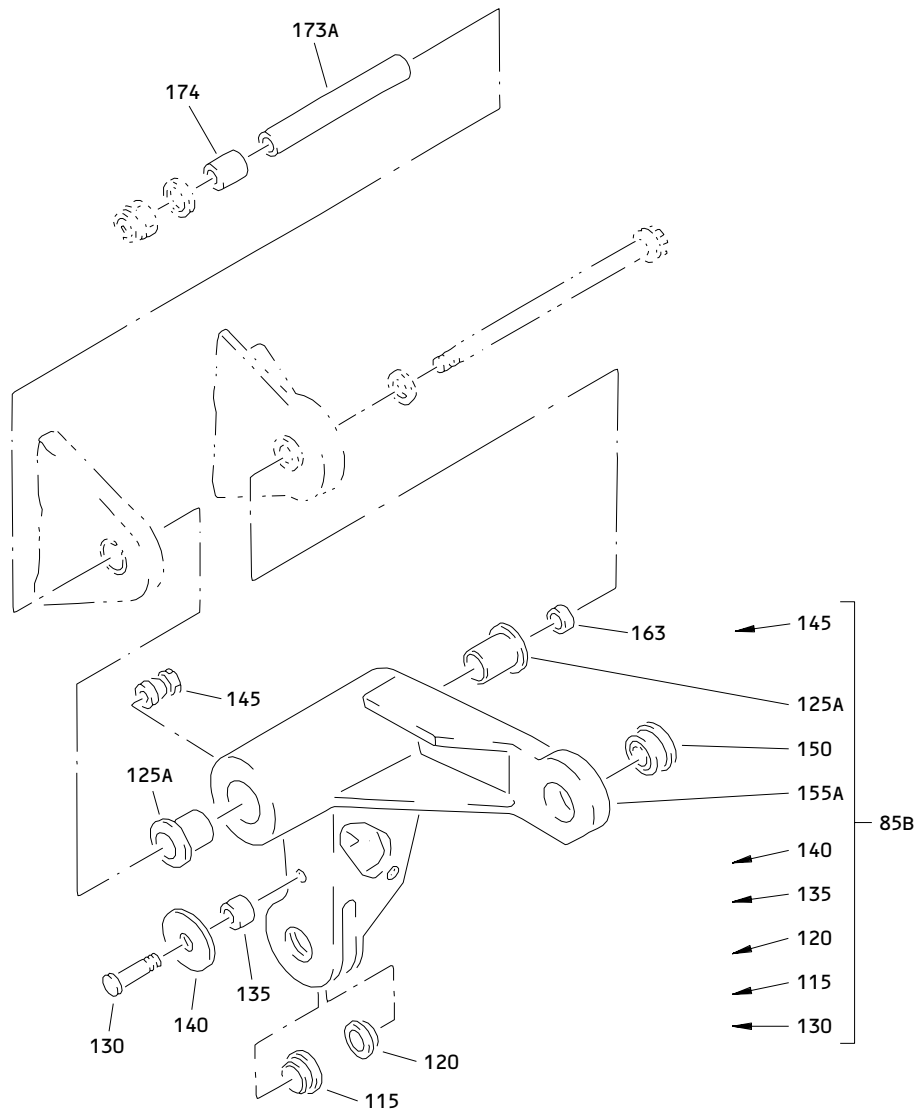
ILLUSTRATED PARTS LIST
 01.1 Page 1050
 Jul 01/04



Fan Duct Cowl and Thrust Reverser Feedback Interlock Installation
Figure 2 (Sheet 2)

78-31-15

ILLUSTRATED PARTS LIST
01.1 Page 1050A
Jul 01/04



(E)

Fan Duct Cowl and Thrust Reverser Feedback Interlock Installation
 Figure 2 (Sheet 3)

78-31-15

ILLUSTRATED PARTS LIST
 01.1 Page 1050B
 Jul 01/04

 **BOEING**
COMPONENT
MAINTENANCE MANUAL

FIG. & ITEM	PART NO.	AIRLINE PART NUMBER	NOMENCLATURE	EFF CODE	QTY PER ASSY
02- -1	315T1701-1		1234567 INTERLOCK INSTL-THRUST REVERSER FEEDBACK (LH)	A,C,E ,G,J, L,N,Q ,S,U, W Y-AB, AG-AK ,AQ-A S,A W-AZ BD-BF ,BL,B N,BQ, BS,BU ,BW BY,CA ,CC,C E,CG, CJ,CL ,CN CQ,CS ,CU,C W,CY, DA,DC ,DE DG,DJ ,DL,D N,DQ, DS,DU ,DW DY,EA ,EC	RF

78-31-15

ILLUSTRATED PARTS LIST
01.1 Page 1050C
Jul 01/04

FIG. & ITEM	PART NO.	AIRLINE PART NUMBER	NOMENCLATURE	EFF CODE	QTY PER ASSY
02-5	315T1701-2		1234567 INTERLOCK INSTL-THRUST REVERSER FEEDBACK (RH)	B,D,F ,H,K, M,P,R ,T,V, X AC-AF ,AL-A P,A T-AV, BA-BC BG-BK ,BM,B P,BR, BT,BV ,BX BZ,CB ,CD,C F,CH, CK,CM ,CP CR,CT ,CV,C X,CZ, DB,DD ,DF DH,DK ,DM,D P,DR, DT,DV ,DX DZ,EB ,ED	RF

78-31-15

 ILLUSTRATED PARTS LIST
 01.1 Page 1050D
 Jul 01/04

 **BOEING**
COMPONENT
MAINTENANCE MANUAL

FIG. & ITEM	PART NO.	AIRLINE PART NUMBER	NOMENCLATURE	EFF CODE	QTY PER ASSY
02-7	315T1701-5001		1234567 INTERLOCK INSTL- (REPLD BY ITEMS 7A, 7B)	A,C,E ,G,J, L,N,Q ,S,U, W Y-AB, AG-AK ,AQ-A S,A W-AZ BD-BF ,BL,B N,BQ, BS,BU ,BW BY,CA ,CC,C E,CG, CJ,CL ,CN CQ,CS ,CU,C W,CY, DA,DC ,DE DG,DJ ,DL,D N,DQ, DS,DU ,DW DY,EA ,EC	1

78-31-15

ILLUSTRATED PARTS LIST
01.1 Page 1050E
Jul 01/04

FIG. & ITEM	PART NO.	AIRLINE PART NUMBER	NOMENCLATURE	EFF CODE	QTY PER ASSY
02-7A	315T1701-5003		.INTERLOCK INSTL- (REPLS ITEM 7) (REPLD BY ITEM 7B)	A,C,E ,G,J, L,N,Q ,S,U, W Y-AB, AG-AK ,AQ-A S,A W-AZ BD-BF ,BL,B N,BQ, BS,BU ,BW BY,CA ,CC,C E,CG, CJ,CL ,CN CQ,CS ,CU,C W,CY, DA,DC ,DE DG,DJ ,DL,D N,DQ, DS,DU ,DW DY,EA ,EC	1

78-31-15

 ILLUSTRATED PARTS LIST
 01.1 Page 1050F
 Jul 01/04

 **BOEING**
COMPONENT
MAINTENANCE MANUAL

FIG. & ITEM	PART NO.	AIRLINE PART NUMBER	NOMENCLATURE	EFF CODE	QTY PER ASSY
02-7B	315T1701-5005		1234567 INTERLOCK INSTL- (REPLS ITEMS 7, 7A)	A,C,E ,G,J, L,N,Q ,S,U, W Y-AB, AG-AK ,AQ-A S,A W-AZ BD-BF ,BL,B N,BQ, BS,BU ,BW BY,CA ,CC,C E,CG, CJ,CL ,CN CQ,CS ,CU,C W,CY, DA,DC ,DE DG,DJ ,DL,D N,DQ, DS,DU ,DW DY,EA ,EC	1

78-31-15

ILLUSTRATED PARTS LIST
01.1 Page 1050G
Jul 01/04

FIG. & ITEM	PART NO.	AIRLINE PART NUMBER	NOMENCLATURE	EFF CODE	QTY PER ASSY
02-8	315T1701-5002		.INTERLOCK INSTL- (REPLD BY ITEMS 8A, 8B)	B,D,F ,H,K, M,P,R ,T,V, X AC-AF ,AL-A P,A T-AV, BA-BC BE-BK ,BM,B P,BR, BT,BV ,BX BZ,CB ,CD,C F,CH, CK,CM ,CP CR,CT ,CV,C X,CZ, DB,DD ,DF DH,DK ,DM,D P,DR, DT,DV ,DX DZ,EB ,ED	1

78-31-15

 ILLUSTRATED PARTS LIST
 01.1 Page 1050H
 Jul 01/04

 **BOEING**
COMPONENT
MAINTENANCE MANUAL

FIG. & ITEM	PART NO.	AIRLINE PART NUMBER	NOMENCLATURE	EFF CODE	QTY PER ASSY
02- -8A	315T1701-5004		1234567 .INTERLOCK INSTL- (REPLS ITEM 8) (REPLD BY ITEM 8B)	B,D,F ,H,K, M,P,R ,T,V, X AC-AF ,AL-A P,A T-AV, BA-BC BE-BK ,BM,B P,BR, BT,BV ,BX BZ,CB ,CD,C F,CH, CK,CM ,CP CR,CT ,CV,C X,CZ, DB,DD ,DF DH,DK ,DM,D P,DR, DT,DV ,DX DZ,EB ,ED	1

78-31-15

ILLUSTRATED PARTS LIST
01.1 Page 1050I
Jul 01/04

FIG. & ITEM	PART NO.	AIRLINE PART NUMBER	NOMENCLATURE	EFF CODE	QTY PER ASSY
02-8B	315T1701-5006		.INTERLOCK INSTL- (REPLS ITEMS 8, 8A)	B,D,F ,H,K, M,P,R ,T,V, X AC-AF ,AL-A P,A T-AV, BA-BC BE-BK ,BM,B P,BR, BT,BV ,BX BZ,CB ,CD,C F,CH, CK,CM ,CP CR,CT ,CV,C X,CZ, DB,DD ,DF DH,DK ,DM,D P,DR, DT,DV ,DX DZ,EB ,ED	1

78-31-15

 ILLUSTRATED PARTS LIST
 01.1 Page 1050J
 Jul 01/04

 **BOEING**
COMPONENT
MAINTENANCE MANUAL

FIG. & ITEM	PART NO.	AIRLINE PART NUMBER	NOMENCLATURE 1234567	EFF CODE	QTY PER ASSY
02-10	315T3721-7		..LINK ASSY ATTACHING PARTS		1
15	BACB30LE4-10		..BOLT		1
20	HL441UC8-12		..BOLT- (V60516) (SPEC BACB30FM8A12) (OPT HL440UC8-12 (V73197)) (OPT HL440UC8-12 (V92215)) (OPT HL440UC8-12 (V97928)) (OPT HL440UC8-12 (V80539)) (OPT WC130-8-12 (V60516)) (OPT 67067-8A12 (V56878)) (OPT L8058A12 (V06725)) (OPT HL440UC8-12 (V56878))		1

78-31-15

ILLUSTRATED PARTS LIST
01.1 Page 1050K
Jul 01/04

FIG. & ITEM	PART NO.	AIRLINE PART NUMBER	NOMENCLATURE	EFF CODE	QTY PER ASSY
02-25	315T3706-1		1234567 ..RETAINER-BOLT	A,C,E ,G,J, L,N,Q ,S,U, W Y-AB, AG-AK ,AQ-A S,A W-AZ BD-BF ,BL,B N,BQ, BS,BU ,BW BY,CA ,CC,C E,CG, CJ,CL ,CN CQ,CS ,CU,C W,CY, DA,DC ,DE DG,DJ ,DL,D N,DQ, DS,DU ,DW DY,EA ,EC	1

78-31-15

 ILLUSTRATED PARTS LIST
 01.1 Page 1050L
 Jul 01/04

BOEING
COMPONENT
MAINTENANCE MANUAL

FIG. & ITEM	PART NO.	AIRLINE PART NUMBER	NOMENCLATURE 1234567	EFF CODE	QTY PER ASSY
02- -30	315T3706-2		..RETAINER-BOLT	B,D,F ,H,K, M,P,R ,T,V, X AC-AF ,AL-A P,A T-AV, BA-BC BG-BK ,BM,B P,BR, BT,BV ,BX BZ,CB ,CD,C F,CH, CK,CM ,CP CR,CT ,CV,C X,CZ, DB,DD ,DF DH,DK ,DM,D P,DR, DT,DV ,DX DZ,EB ,ED	1
35	AN960-416		..WASHER		2
40	BACW10P321S		..WASHER		1
45	NAS1805-4N		..NUT		2
48	315T1015-1		..RETAINER-BOLT -----*-----		1
50	BACB28AK04-020		DELETED		
55	BACR15BB5AD		...RIVET- (SIZE DETERMINE ON INST)		4

78-31-15

ILLUSTRATED PARTS LIST
01.1 Page 1050M
Jul 01/04

FIG. & ITEM	PART NO.	AIRLINE PART NUMBER	NOMENCLATURE 1234567	EFF CODE	QTY PER ASSY
02-60	315T3721-3		...CLEVIS		1
65	315T3721-4		...ROD END		1
70	NAS509-5C		...NUT		1
75	K4-91		DELETED		
75A	VTA04560		...ROD END ASSY- (V06710) (SPEC S302T001-304A) (FOR DETAILS SEE FIG. 81)		1
80	315T3721-8		...TUBE		1
83	BACB28AK04-020		..BUSHING		1
85	315T1722-1		..BELLCRANK ASSY- (USED ON ITEM 7)	A,C,E ,G,J, L,N,Q ,S,U, W Y-AB, AG-AK ,AQ-A S,A W-AZ BD-BF ,BL,B N,BQ, BS,BU ,BW BY,CA ,CC,C E,CG, CJ,CL ,CN CQ,CS ,CU,C W,CY, DA,DC ,DE DG,DJ ,DL,D N,DQ, DS,DU ,DW DY,EA ,EC	1

78-31-15

 ILLUSTRATED PARTS LIST
 01.1 Page 1050N
 Jul 01/04

 **BOEING**
COMPONENT
MAINTENANCE MANUAL

FIG. & ITEM	PART NO.	AIRLINE PART NUMBER	NOMENCLATURE	EFF CODE	QTY PER ASSY
02- -85A	315T1722-7		1234567 ..BELLCRANK ASSY- (315T1722-9 TOGETHER WITH 315T1730-11, 315T1701-5 BUSHING AND BACS40U5N2C SHIM I/W 315T1722-7 TOGETHER WITH 315T1730-9, BACB28AK05-045 BUSHING AND BACB28AK05-065 BUSHING) (USED ON ITEM 7A)	A,C,E ,G,J, L,N,Q ,S,U, W Y-AB, AG-AK ,AQ-A S,A W-AZ BD-BF ,BL,B N,BQ, BS,BU ,BW BY,CA ,CC,C E,CG, CJ,CL ,CN CQ,CS ,CU,C W,CY, DA,DC ,DE DG,DJ ,DL,D N,DQ, DS,DU ,DW DY,EA ,EC	1

78-31-15

ILLUSTRATED PARTS LIST
01.1 Page 10500
Jul 01/04

FIG. & ITEM	PART NO.	AIRLINE PART NUMBER	NOMENCLATURE	EFF CODE	QTY PER ASSY
02-85B	315T1722-9		1234567 ..BELLCRANK ASSY- (315T1722-9 TOGETHER WITH 315T1730-11, 315T1701-5 BUSHING AND BACS40U5N2C SHIM I/W 315T1722-7 TOGETHER WITH 315T1730-9, BACB28AK05-045 BUSHING AND BACB28AK05-065 BUSHING) (USED ON ITEM 7B)	A,C,E ,G,J, L,N,Q ,S,U, W Y-AB, AG-AK ,AQ-A S,A W-AZ BD-BF ,BL,B N,BQ, BS,BU ,BW BY,CA ,CC,C E,CG, CJ,CL ,CN CQ,CS ,CU,C W,CY, DA,DC ,DE DG,DJ ,DL,D N,DQ, DS,DU ,DW DY,EA ,EC	1

78-31-15

 ILLUSTRATED PARTS LIST
 01.1 Page 1050P
 Jul 01/04

 **BOEING**
COMPONENT
MAINTENANCE MANUAL

FIG. & ITEM	PART NO.	AIRLINE PART NUMBER	NOMENCLATURE	EFF CODE	QTY PER ASSY
02-90	315T1722-2		1234567 ..BELLCRANK ASSY- (USED ON ITEM 8)	B,D,F ,H,K, M,P,R ,T,V, X AC-AF ,AL-A P,A T-AV, BA-BC BE-BK ,BM,B P,BR, BT,BV ,BX BZ,CB ,CD,C F,CH, CK,CM ,CP CR,CT ,CV,C X,CZ, DB,DD ,DF DH,DK ,DM,D P,DR, DT,DV ,DX DZ,EB ,ED	1

78-31-15

ILLUSTRATED PARTS LIST

01.1 Page 1050Q

Jul 01/04

FIG. & ITEM	PART NO.	AIRLINE PART NUMBER	NOMENCLATURE 1234567	EFF CODE	QTY PER ASSY
02- -90A	315T1722-8		..BELLCRANK ASSY- (315T1722-10 T/W 315T1730-12, 315T1701-6, 315T1701-7 BUSHING AND BACS40U5N2C SHIM I/W 315T1722-8 TOGETHER WITH 315T1730-8, BACB28AK05-045 BUSHING AND BACB28AK05-065 BUSHING.) (USED ON ITEM 8A)	B,D,F ,H,K, M,P,R ,T,V, X AC-AF ,AL-A P,A T-AV, BA-BC BG-BK ,BM,B P,BR, BT,BV ,BX BZ,CB ,CD,C F,CH, CK,CM ,CP CR,CT ,CV,C X,CZ, DB,DD ,DF DH,DK ,DM,D P,DR, DT,DV ,DX DZ,EB ,ED	1

78-31-15

ILLUSTRATED PARTS LIST
01.1 Page 1050R
Jul 01/04

 **BOEING**
COMPONENT
MAINTENANCE MANUAL

FIG. & ITEM	PART NO.	AIRLINE PART NUMBER	NOMENCLATURE	EFF CODE	QTY PER ASSY
02-90B	315T1722-10		1234567 ..BELLCRANK ASSY- (315T1722-10 TOGETHER WITH 315T1730-12, 315T1701-6, 315T1701-7 BUSHING AND BACS40U5N2C SHIM I/W 315T1722-8 T/W 315T1730-8, BACB28AK05-04 5 BUSHING AND BACB28AK05-065 BUSHING.) (USED ON ITEM 8B)	B, D, F , H, K, M, P, R , T, V, X AC-AF , AL-A P, A T-AV, BA-BC BG-BK , BM, B P, BR, BT, BV , BX BZ, CB , CD, C F, CH, CK, CM , CP CR, CT , CV, C X, CZ, DB, DD , DF DH, DK , DM, D P, DR, DT, DV , DX DZ, EB , ED	1
			ATTACHING PARTS		

78-31-15

ILLUSTRATED PARTS LIST
01.1 Page 1050S
Jul 01/04

FIG. & ITEM	PART NO.	AIRLINE PART NUMBER	NOMENCLATURE 1234567	EFF CODE	QTY PER ASSY
02-			ATTACHING PARTS		
95	BACB30LE5-76		..BOLT		1
100	BACW10BP5AP		..WASHER		1
105	BACW10BP5AC		..WASHER		1
110	NAS1805-5N		..NUT		1
			-----*-----		
115	BACB28AM06B012A		...BUSHING		1
120	BACB28AP04P012		...BUSHING		1
125	BACB28AP05P050		...BUSHING-		2
			(USED ON ITEMS 85, 85A, 90, 90A)		
125A	BACB28W7B075		...BUSHING-		2
			(USED ON ITEMS 85B, 90B)		
130	HL1012AZ5-14		...BOLT-		1
			(V97928)		
			(SPEC BACB30NX5K14)		
			(OPT HL12VAZ5-14 (V73197))		
			(OPT HL12VAZ5-14 (V92215))		
			(OPT HL12VAZ5-14 (V97928))		
			(OPT L802-5K14 (V06725))		
			(OPT HL12VAZ5-14 (V56878))		
			(OPT HL1012AZ5-14 (V0PTK6))		
			(OPT HL1012AZ5-14 (V06725))		
			(OPT HL1012AZ5-14 (V06950))		
			(OPT HL1012AZ5-14 (V17446))		
			(OPT HL1012AZ5-14 (V56878))		
			(OPT HL1012AZ5-14 (V60516))		
			(OPT HL1012AZ5-14 (V73197))		

78-31-15

 ILLUSTRATED PARTS LIST
 01.1 Page 1050T
 Jul 01/04

BOEING
COMPONENT
MAINTENANCE MANUAL

FIG. & ITEM	PART NO.	AIRLINE PART NUMBER	NOMENCLATURE 1234567	EFF CODE	QTY PER ASSY
02-					
135	NAS43DD3-16		...SPACER		1
140	BACW10P171AL		...WASHER		1
145	HL1187DUW5		...COLLAR- (V5M902) (SPEC BACC30X5SW) (OPT HL87DUW5 (V73197)) (OPT HL87DUW5 (V92215)) (OPT HL86DUW5 (V73197)) (OPT HL86DUW5 (V56878)) (OPT HL86DUW5 (V92215)) (OPT HL1187DUW5 (V56878)) (OPT HL1187DUW5 (V92215)) (OPT HL87DUW5 (V56878)) (OPT HL1187DUW5 (V73197))		1
150	VTB04540		...BEARING ASSY- (V06710) (SPEC S302T001-301A) (OPT P21620 (V57606)) (OPT USB4-136 (V02758)) (FOR DETAILS SEE FIG. 83)		1
150A -150B	S302T001-301A USB4-136		DELETED ...BEARING ASSY- (V02758) (SPEC S302T001-301A) (OPT P21620 (V57606)) (OPT VTB04540 (V06710))	A-D, J-M	1

78-31-15

ILLUSTRATED PARTS LIST
01.1 Page 1050U
Jul 01/04

FIG. & ITEM	PART NO.	AIRLINE PART NUMBER	NOMENCLATURE	EFF CODE	QTY PER ASSY
02-155	315T1722-3		1234567 ...BELLCRANK- (USED ON ITEMS 85, 85A)	A,C,E ,G,J, L,N,Q ,S,U, W Y-AB, AG-AK ,AQ-A S,A W-AZ BD-BF ,BL,B N,BQ, BS,BU ,BW BY,CA ,CC,C E,CG, CJ,CL ,CN CQ,CS ,CU,C W,CY, DA,DC ,DE DG,DJ ,DL,D N,DQ, DS,DU ,DW DY,EA ,EC	1

78-31-15

 ILLUSTRATED PARTS LIST
 01.1 Page 1050V
 Jul 01/04

 **BOEING**
COMPONENT
MAINTENANCE MANUAL

FIG. & ITEM	PART NO.	AIRLINE PART NUMBER	NOMENCLATURE	EFF CODE	QTY PER ASSY
02-155A	315T1722-11		1234567 ...BELLCRANK- (USED ON ITEM 85B)	A,C,E ,G,J, L,N,Q ,S,U, W Y-AB, AG-AK ,AQ-A S,A W-AZ BD-BF ,BL,B N,BQ, BS,BU ,BW BY,CA ,CC,C E,CG, CJ,CL ,CN CQ,CS ,CU,C W,CY, DA,DC ,DE DG,DJ ,DL,D N,DQ, DS,DU ,DW DY,EA ,EC	1

78-31-15

ILLUSTRATED PARTS LIST
01.1 Page 1050W
Jul 01/04

FIG. & ITEM	PART NO.	AIRLINE PART NUMBER	NOMENCLATURE	EFF CODE	QTY PER ASSY
02-160	315T1722-4		1234567 ...BELLCRANK- (USED ON ITEMS 90, 90A)	B,D,F ,H,K, M,P,R ,T,V, X AC-AF ,AL-A P,A T-AV, BA-BC BG-BK ,BM,B P,BR, BT,BV ,BX BZ,CB ,CD,C F,CH, CK,CM ,CP CR,CT ,CV,C X,CZ, DB,DD ,DF DH,DK ,DM,D P,DR, DT,DV ,DX DZ,EB ,ED	1

78-31-15

ILLUSTRATED PARTS LIST
 01.1 Page 1050X
 Jul 01/04

 **BOEING**
COMPONENT
MAINTENANCE MANUAL

FIG. & ITEM	PART NO.	AIRLINE PART NUMBER	NOMENCLATURE	EFF CODE	QTY PER ASSY
02-160A	315T1722-12		1234567 ...BELLCRANK- (USED ON ITEM 90B)	B,D,F ,H,K, M,P,R ,T,V, X AC-AF ,AL-A P,A T-AV, BA-BC BG-BK ,BM,B P,BR, BT,BV ,BX BZ,CB ,CD,C F,CH, CK,CM ,CP CR,CT ,CV,C X,CZ, DB,DD ,DF DH,DK ,DM,D P,DR, DT,DV ,DX DZ,EB ,ED	1

78-31-15

ILLUSTRATED PARTS LIST
01.1 Page 1050Y
Jul 01/04

FIG. & ITEM	PART NO.	AIRLINE PART NUMBER	NOMENCLATURE 1234567	EFF CODE	QTY PER ASSY
02-163	BACS40U5N2C		..SHIM-WASHER (USED ON ITEMS 7B, 8B)		1
165	BACB28AK05-065		..BUSHING- (USED ON ITEMS 7, 7A, 8, 8A)		1
170	BACB28AK05-045		..BUSHING- (USED ON ITEMS 7, 7A, 8, 8A)		1
173	315T1701-5		DELETED		
173A	315T1701-6		..BUSHING- (USED ON ITEMS 7B, 8B)		1
174	315T1701-7		..BUSHING- (USED ON ITEMS 7B, 8B)		1
175	315T1724-1		..SPRING	A,C,E ,G,J, L,N,Q ,S,U, W Y-AB, AG-AK ,AQ-A S,A W-AZ BD-BF ,BL,B N,BQ, BS,BU ,BW BY,CA ,CC,C E,CG, CJ,CL ,CN CQ,CS ,CU,C W,CY, DA,DC ,DE DG,DJ ,DL,D N,DQ, DS,DU ,DW DY,EA ,EC	1

78-31-15

 ILLUSTRATED PARTS LIST
 01.1 Page 1050Z
 Jul 01/04

 **BOEING**
COMPONENT
MAINTENANCE MANUAL

FIG. & ITEM	PART NO.	AIRLINE PART NUMBER	NOMENCLATURE	EFF CODE	QTY PER ASSY
02- -180	315T1724-2		1234567 ..SPRING	B,D,F ,H,K, M,P,R ,T,V, X AC-AF ,AL-A P,A T-AV, BA-BC BG-BK ,BM,B P,BR, BT,BV ,BX BZ,CB ,CD,C F,CH, CK,CM ,CP CR,CT ,CV,C X,CZ, DB,DD ,DF DH,DK ,DM,D P,DR, DT,DV ,DX DZ,EB ,ED	1

78-31-15

ILLUSTRATED PARTS LIST

01.1

Page 1051

Jul 01/04

FIG. & ITEM	PART NO.	AIRLINE PART NUMBER	NOMENCLATURE	EFF CODE	QTY PER ASSY
			1234567		
02- 185 185A 190 195	BACB30LH3-7 BACB30LU3-7 AN960PD10 BRH10C3D		DELETED ..BOLT ..WASHER ..NUT- (V52828) (SPEC BACN10JC3CD) (OPT T6C1032JCD (V11815)) (OPT NS202486-02 (V80539)) (OPT 102LH9075-3W (V72962)) (OPT H51650-3BAC (V15653))		1 1 1

78-31-15

 ILLUSTRATED PARTS LIST
 01.1 Page 1052
 Jul 01/04

 **BOEING**
COMPONENT
MAINTENANCE MANUAL

FIG. & ITEM	PART NO.	AIRLINE PART NUMBER	NOMENCLATURE	EFF CODE	QTY PER ASSY
02-			1234567		
200	AN960PD10L		..WASHER		AR
205	315T1723-1		..TARGET		1
210	315T1730-1		..FITTING ASSY-SPRT (USED ON ITEM 7) (PRE SB 767-78-22)	A,C,E ,G,J, L,N,Q ,S,U, W Y-AB, AG-AK ,AQ-A S,A W-AZ BD-BF ,BL,B N,BQ, BS,BU ,BW BY,CA ,CC,C E,CG, CJ,CL ,CN CQ,CS ,CU,C W,CY, DA,DC ,DE DG,DJ ,DL,D N,DQ, DS,DU ,DW DY,EA ,EC	1

78-31-15

ILLUSTRATED PARTS LIST
01.1 Page 1052A
Jul 01/04

FIG. & ITEM	PART NO.	AIRLINE PART NUMBER	NOMENCLATURE	EFF CODE	QTY PER ASSY
02- -210A	315T1730-9		1234567 ..FITTING ASSY-SPRT (USED ON ITEM 7A) (PRE SB 767-78-22)	A,C,E ,G,J, L,N,Q ,S,U, W Y-AB, AG-AK ,AQ-A S,A W-AZ BD-BF ,BL,B N,BQ, BS,BU ,BW BY,CA ,CC,C E,CG, CJ,CL ,CN CQ,CS ,CU,C W,CY, DA,DC ,DE DG,DJ ,DL,D N,DQ, DS,DU ,DW DY,EA ,EC	1

78-31-15

 ILLUSTRATED PARTS LIST
 01.1 Page 1052B
 Jul 01/04

 **BOEING**
COMPONENT
MAINTENANCE MANUAL

FIG. & ITEM	PART NO.	AIRLINE PART NUMBER	NOMENCLATURE	EFF CODE	QTY PER ASSY
02- -210B	315T1730-11		1234567 ..FITTING ASSY-SPRT (USED ON ITEM 7B)	A,C,E ,G,J, L,N,Q ,S,U, W Y-AB, AG-AK ,AQ-A S,A W-AZ BD-BF ,BL,B N,BQ, BS,BU ,BW BY,CA ,CC,C E,CG, CJ,CL ,CN CQ,CS ,CU,C W,CY, DA,DC ,DE DG,DJ ,DL,D N,DQ, DS,DU ,DW DY,EA ,EC	1

78-31-15

ILLUSTRATED PARTS LIST
01.1 Page 1052C
Jul 01/04

FIG. & ITEM	PART NO.	AIRLINE PART NUMBER	NOMENCLATURE	EFF CODE	QTY PER ASSY
02- -210C	315T1730-1		1234567 ..FITTING ASSY-SPRT (USED ON ITEM 7) (POST SB 767-78-22)	A,C,E ,G,J, L,N,Q ,S,U, W Y-AB, AG-AK ,AQ-A S,A W-AZ BD-BF ,BL,B N,BQ, BS,BU ,BW BY,CA ,CC,C E,CG, CJ,CL ,CN CQ,CS ,CU,C W,CY, DA,DC ,DE DG,DJ ,DL,D N,DQ, DS,DU ,DW DY,EA ,EC	1

78-31-15

ILLUSTRATED PARTS LIST
 01.1 Page 1052D
 Jul 01/04



BOEING
COMPONENT
MAINTENANCE MANUAL

FIG. & ITEM	PART NO.	AIRLINE PART NUMBER	NOMENCLATURE	EFF CODE	QTY PER ASSY
02- -210D	315T1730-9		1234567 ..FITTING ASSY-SPRT (USED ON ITEM 7A) (POST SB 767-78-22)	A,C,E ,G,J, L,N,Q ,S,U, W Y-AB, AG-AK ,AQ-A S,A W-AZ BD-BF ,BL,B N,BQ, BS,BU ,BW BY,CA ,CC,C E,CG, CJ,CL ,CN CQ,CS ,CU,C W,CY, DA,DC ,DE DG,DJ ,DL,D N,DQ, DS,DU ,DW DY,EA ,EC	1

78-31-15

ILLUSTRATED PARTS LIST
01.1 Page 1052E
Jul 01/04

FIG. & ITEM	PART NO.	AIRLINE PART NUMBER	NOMENCLATURE	EFF CODE	QTY PER ASSY
02-215	315T1730-7		1234567 ..FITTING ASSY-SPRT (USED ON ITEM 8) (PRE SB 767-78-22)	B,D,F ,H,K, M,P,R ,T,V, X AC-AF ,AL-A P,A T-AV, BA-BC BG-BK ,BM,B P,BR, BT,BV ,BX BZ,CB ,CD,C F,CH, CK,CM ,CP CR,CT ,CV,C X,CZ, DB,DD ,DF DH,DK ,DM,D P,DR, DT,DV ,DX DZ,EB ,ED	1

78-31-15

 ILLUSTRATED PARTS LIST
 01.1 Page 1052F
 Jul 01/04

 **BOEING**
COMPONENT
MAINTENANCE MANUAL

FIG. & ITEM	PART NO.	AIRLINE PART NUMBER	NOMENCLATURE	EFF CODE	QTY PER ASSY
02- -215A	315T1730-8		1234567 ..FITTING ASSY-SPRT (USED ON ITEM 8A) (PRE SB 767-78-22)	B,D,F ,H,K, M,P,R ,T,V, X AC-AF ,AL-A P,A T-AV, BA-BC BG-BK ,BM,B P,BR, BT,BV ,BX BZ,CB ,CD,C F,CH, CK,CM ,CP CR,CT ,CV,C X,CZ, DB,DD ,DF DH,DK ,DM,D P,DR, DT,DV ,DX DZ,EB ,ED	1

78-31-15

ILLUSTRATED PARTS LIST
01.1 Page 1052G
Jul 01/04

FIG. & ITEM	PART NO.	AIRLINE PART NUMBER	NOMENCLATURE	EFF CODE	QTY PER ASSY
02- -215B	315T1730-12		1234567 ..FITTING ASSY-SPRT (USED ON ITEM 8B)	B,D,F ,H,K, M,P,R ,T,V, X AC-AF ,AL-A P,A T-AV, BA-BC BG-BK ,BM,B P,BR, BT,BV ,BX BZ,CB ,CD,C F,CH, CK,CM ,CP CR,CT ,CV,C X,CZ, DB,DD ,DF DH,DK ,DM,D P,DR, DT,DV ,DX DZ,EB ,ED	1

78-31-15

ILLUSTRATED PARTS LIST
 01.1 Page 1052H
 Jul 01/04

 **BOEING**
COMPONENT
MAINTENANCE MANUAL

FIG. & ITEM	PART NO.	AIRLINE PART NUMBER	NOMENCLATURE	EFF CODE	QTY PER ASSY
02- -215C	315T1730-7		1234567 ..FITTING ASSY-SPRT (USED ON ITEM 8) (POST SB 767-78-22)	B,D,F ,H,K, M,P,R ,T,V, X AC-AF ,AL-A P,A T-AV, BA-BC BG-BK ,BM,B P,BR, BT,BV ,BX BZ,CB ,CD,C F,CH, CK,CM ,CP CR,CT ,CV,C X,CZ, DB,DD ,DF DH,DK ,DM,D P,DR, DT,DV ,DX DZ,EB ,ED	1

78-31-15

ILLUSTRATED PARTS LIST
01.1 Page 1052I
Jul 01/04

FIG. & ITEM	PART NO.	AIRLINE PART NUMBER	NOMENCLATURE	EFF CODE	QTY PER ASSY
02- -215D	315T1730-8		1234567 ..FITTING ASSY-SPRT (USED ON ITEM 8A) (POST SB 767-78-22)	B,D,F ,H,K, M,P,R ,T,V, X AC-AF ,AL-A P,A T-AV, BA-BC BG-BK ,BM,B P,BR, BT,BV ,BX BZ,CB ,CD,C F,CH, CK,CM ,CP CR,CT ,CV,C X,CZ, DB,DD ,DF DH,DK ,DM,D P,DR, DT,DV ,DX DZ,EB ,ED	1

78-31-15

 ILLUSTRATED PARTS LIST
 01.1 Page 1052J
 Jul 01/04

 **BOEING**
COMPONENT
MAINTENANCE MANUAL

FIG. & ITEM	PART NO.	AIRLINE PART NUMBER	NOMENCLATURE 1234567	EFF CODE	QTY PER ASSY
02-220	HL1012AZ5-9		...BOLT- (V97928) (SPEC BACB30NX5K9) (OPT HL12VAZ5-9 (V73197)) (OPT HL12VAZ5-9 (V92215)) (OPT HL12VAZ5-9 (V97928)) (OPT L802-5K9 (V06725)) (OPT HL12VAZ5-9 (V56878)) (OPT HL1012AZ5-9 (V0PTK6)) (OPT HL1012AZ5-9 (V06725)) (OPT HL1012AZ5-9 (V06950)) (OPT HL1012AZ5-9 (V17446)) (OPT HL1012AZ5-9 (V56878)) (OPT HL1012AZ5-9 (V60516)) (OPT HL1012AZ5-9 (V73197))		1
225	NAS43DD3-16		...SPACER		1
230	BACW10P171AL		...WASHER		1

78-31-15

ILLUSTRATED PARTS LIST
01.1 Page 1052K
Jul 01/04

FIG. & ITEM	PART NO.	AIRLINE PART NUMBER	NOMENCLATURE 1234567	EFF CODE	QTY PER ASSY
02-235	HL1187DUW5		...COLLAR- (V5M902) (SPEC BACC30X5SW) (OPT HL87DUW5 (V73197)) (OPT HL87DUW5 (V92215)) (OPT HL86DUW5 (V73197)) (OPT HL86DUW5 (V56878)) (OPT HL86DUW5 (V92215)) (OPT HL1187DUW5 (V56878)) (OPT HL1187DUW5 (V92215)) (OPT HL87DUW5 (V56878)) (OPT HL1187DUW5 (V73197))		1
240	BACB28AP07P038		...BUSHING- (USED ON ITEMS 210, 210A, 215, 215A)		1
-240A	BACB28X7M038		...BUSHING- (OPT ITEM 240B) (USED ON ITEMS 210C, 210D, 215C, 215D)		1
-240B	BACB28W7B038		...BUSHING- (OPT ITEM 240A) (USED ON ITEMS 210C, 210D, 215C, 215D)		1

78-31-15

 ILLUSTRATED PARTS LIST
 01.1 Page 1052L
 Jul 01/04

 **BOEING**
COMPONENT
MAINTENANCE MANUAL

FIG. & ITEM	PART NO.	AIRLINE PART NUMBER	NOMENCLATURE 1234567	EFF CODE	QTY PER ASSY
02-243	BACB28AP05P020		...BUSHING- (USED ON ITEMS 210B, 215B)		2
245	BACB28AP07P018		...BUSHING- (USED ON ITEMS 210, 210A, 210B, 215, 215A, 215B)		1
-245A	BACB28X7M018		...BUSHING- (OPT ITEM 245B) (USED ON ITEMS 210C, 210D, 215C, 215D)		1
-245B	BACB28W7B018		...BUSHING- (OPT ITEM 245A) (USED ON ITEMS 210C, 210D, 215C, 215D)		1
250	BACR15BB5AD		...RIVET- (SIZE DETERMINE ON INST)		2

78-31-15

ILLUSTRATED PARTS LIST
01.1 Page 1052M
Jul 01/04

FIG. & ITEM	PART NO.	AIRLINE PART NUMBER	NOMENCLATURE	EFF CODE	QTY PER ASSY
02-255	315T1732-1		1234567 ...BRACKET	A,C,E ,G,J, L,N,Q ,S,U, W Y-AB, AG-AK ,AQ-A S,A W-AZ BD-BF ,BL,B N,BQ, BS,BU ,BW BY,CA ,CC,C E,CG, CJ,CL ,CN CQ,CS ,CU,C W,CY, DA,DC ,DE DG,DJ ,DL,D N,DQ, DS,DU ,DW DY,EA ,EC	1

78-31-15

ILLUSTRATED PARTS LIST
 01.1 Page 1052N
 Jul 01/04

 **BOEING**
COMPONENT
MAINTENANCE MANUAL

FIG. & ITEM	PART NO.	AIRLINE PART NUMBER	NOMENCLATURE	EFF CODE	QTY PER ASSY
02- -260	315T1732-2		1234567 ...BRACKET	B,D,F ,H,K, M,P,R ,T,V, X AC-AF ,AL-A P,A T-AV, BA-BC BG-BK ,BM,B P,BR, BT,BV ,BX BZ,CB ,CD,C F,CH, CK,CM ,CP CR,CT ,CV,C X,CZ, DB,DD ,DF DH,DK ,DM,D P,DR, DT,DV ,DX DZ,EB ,ED	1

78-31-15

ILLUSTRATED PARTS LIST
01.1 Page 10520
Jul 01/04

FIG. & ITEM	PART NO.	AIRLINE PART NUMBER	NOMENCLATURE	EFF CODE	QTY PER ASSY
02-265	315T1730-3		1234567 ...FITTING- (USED ON ITEMS 210, 210A)	A,C,E ,G,J, L,N,Q ,S,U, W Y-AB, AG-AK ,AQ-A S,A W-AZ BD-BF ,BL,B N,BQ, BS,BU ,BW BY,CA ,CC,C E,CG, CJ,CL ,CN CQ,CS ,CU,C W,CY, DA,DC ,DE DG,DJ ,DL,D N,DQ, DS,DU ,DW DY,EA ,EC	1

78-31-15

 ILLUSTRATED PARTS LIST
 01.1 Page 1052P
 Jul 01/04

 **BOEING**
COMPONENT
MAINTENANCE MANUAL

FIG. & ITEM	PART NO.	AIRLINE PART NUMBER	NOMENCLATURE	EFF CODE	QTY PER ASSY
02- -265A	315T1730-13		1234567 ...FITTING- (USED ON ITEM 210B)	A,C,E ,G,J, L,N,Q ,S,U, W Y-AB, AG-AK ,AQ-A S,A W-AZ BD-BF ,BL,B N,BQ, BS,BU ,BW BY,CA ,CC,C E,CG, CJ,CL ,CN CQ,CS ,CU,C W,CY, DA,DC ,DE DG,DJ ,DL,D N,DQ, DS,DU ,DW DY,EA ,EC	1

78-31-15

ILLUSTRATED PARTS LIST
01.1 Page 1052Q
Jul 01/04

FIG. & ITEM	PART NO.	AIRLINE PART NUMBER	NOMENCLATURE	EFF CODE	QTY PER ASSY
02-270	315T1730-4		1234567 ...FITTING- (USED ON ITEMS 215, 215A)	B,D,F ,H,K, M,P,R ,T,V, X AC-AF ,AL-A P,A T-AV, BA-BC BG-BK ,BM,B P,BR, BT,BV ,BX BZ,CB ,CD,C F,CH, CK,CM ,CP CR,CT ,CV,C X,CZ, DB,DD ,DF DH,DK ,DM,D P,DR, DT,DV ,DX DZ,EB ,ED	1

78-31-15

 ILLUSTRATED PARTS LIST
 01.1 Page 1052R
 Jul 01/04

 **BOEING**
COMPONENT
MAINTENANCE MANUAL

FIG. & ITEM	PART NO.	AIRLINE PART NUMBER	NOMENCLATURE	EFF CODE	QTY PER ASSY
02- -270A	315T1730-14		1234567 ...FITTING- (USED ON ITEM 215C)	B,D,F ,H,K, M,P,R ,T,V, X AC-AF ,AL-A P,A T-AV, BA-BC BG-BK ,BM,B P,BR, BT,BV ,BX BZ,CB ,CD,C F,CH, CK,CM ,CP CR,CT ,CV,C X,CZ, DB,DD ,DF DH,DK ,DM,D P,DR, DT,DV ,DX DZ,EB ,ED	1

78-31-15

ILLUSTRATED PARTS LIST
01.1 Page 1052S
Jul 01/04

FIG. & ITEM	PART NO.	AIRLINE PART NUMBER	NOMENCLATURE	EFF CODE	QTY PER ASSY
02-271	BACR15BB3A		1234567 ...RIVET- (SIZE DETERMINE ON INST)	B,D,F ,H,K, M,P,R ,T,V, X AC-AF ,AL-A P,A T-AV, BA-BC BG-BK ,BM,B P,BR, BT,BV ,BX BZ,CB ,CD,C F,CH, CK,CM ,CP CR,CT ,CV,C X,CZ, DB,DD ,DF DH,DK ,DM,D P,DR, DT,DV ,DX DZ,EB ,ED	2

78-31-15

 ILLUSTRATED PARTS LIST
 01.1 Page 1052T
 Jul 01/04

 **BOEING**
COMPONENT
MAINTENANCE MANUAL

FIG. & ITEM	PART NO.	AIRLINE PART NUMBER	NOMENCLATURE	EFF CODE	QTY PER ASSY
02-272	AN256-10		1234567 ...NUTPLATE	B,D,F ,H,K, M,P,R ,T,V, X AC-AF ,AL-A P,A T-AV, BA-BC BG-BK ,BM,B P,BR, BT,BV ,BX BZ,CB ,CD,C F,CH, CK,CM ,CP CR,CT ,CV,C X,CZ, DB,DD ,DF DH,DK ,DM,D P,DR, DT,DV ,DX DZ,EB ,ED	1

78-31-15

ILLUSTRATED PARTS LIST
01.1 Page 1052U
Jul 01/04

FIG. & ITEM	PART NO.	AIRLINE PART NUMBER	NOMENCLATURE	EFF CODE	QTY PER ASSY
02-275	315T1720-5		1234567 ..BRACKET-ANCHOR	A,C,E ,G,J, L,N,Q ,S,U, W Y-AB, AG-AK ,AQ-A S,A W-AZ BD-BF ,BL,B N,BQ, BS,BU ,BW BY,CA ,CC,C E,CG, CJ,CL ,CN CQ,CS ,CU,C W,CY, DA,DC ,DE DG,DJ ,DL,D N,DQ, DS,DU ,DW DY,EA ,EC	1

78-31-15

 ILLUSTRATED PARTS LIST
 01.1 Page 1052V
 Jul 01/04

BOEING
COMPONENT
MAINTENANCE MANUAL

FIG. & ITEM	PART NO.	AIRLINE PART NUMBER	NOMENCLATURE 1234567	EFF CODE	QTY PER ASSY
02- -280	315T1720-6		..BRACKET-ANCHOR	B,D,F ,H,K, M,P,R ,T,V, X AC-AF ,AL-A P,A T-AV, BA-BC BG-BK ,BM,B P,BR, BT,BV ,BX BZ,CB ,CD,C F,CH, CK,CM ,CP CR,CT ,CV,C X,CZ, DB,DD ,DF DH,DK ,DM,D P,DR, DT,DV ,DX DZ,EB ,ED	1
285	BACS4OR09E31F		..SHIM		1
290	315T1702-6		..SUPPORT ASSY-FEEDBACK CABLE BRACE		1
295	BACR15BA3AD		...RIVET- (SIZE DETERMINE ON INST)		2

78-31-15

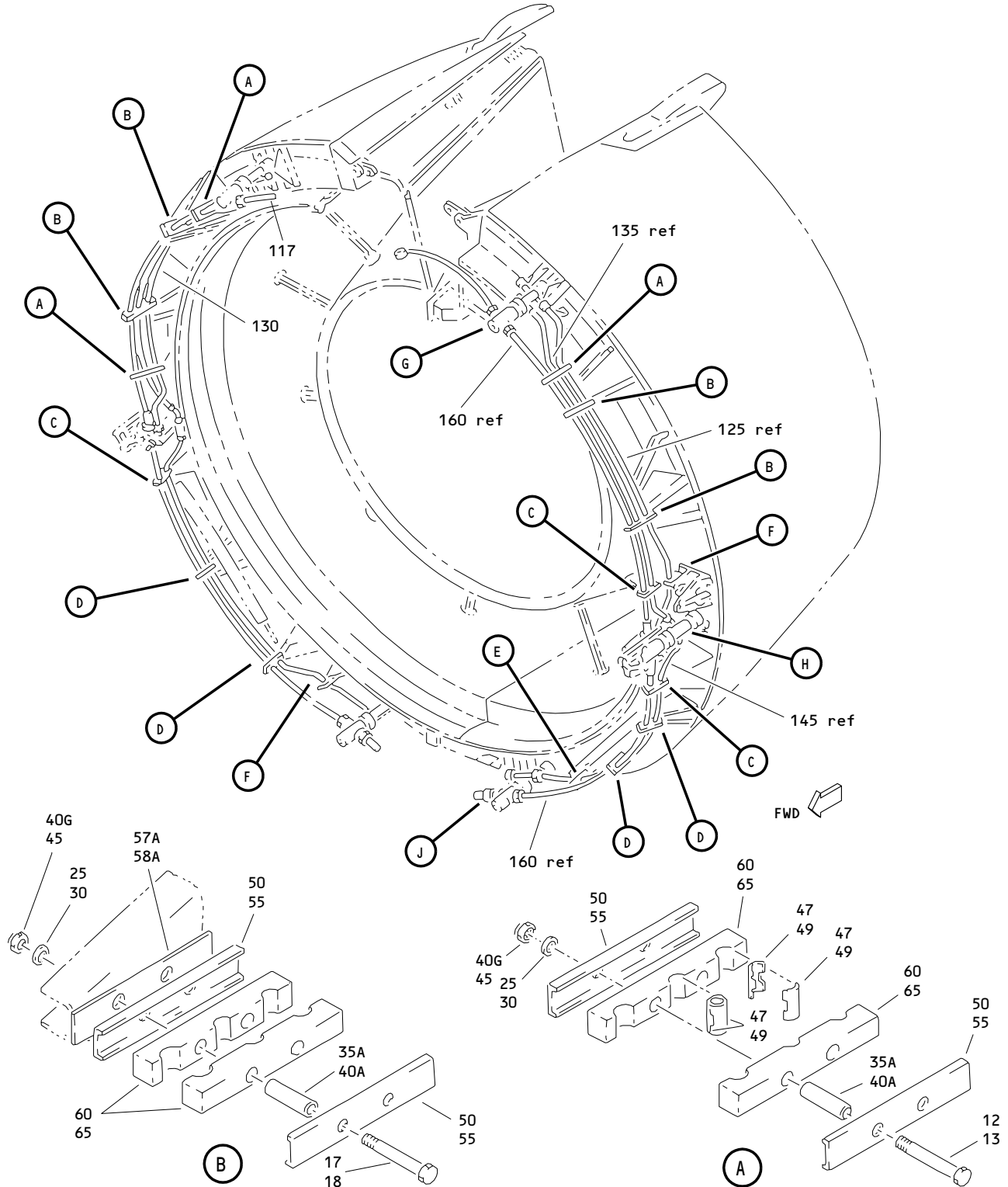
ILLUSTRATED PARTS LIST
01.1 Page 1052W
Jul 01/04

FIG. & ITEM	PART NO.	AIRLINE PART NUMBER	NOMENCLATURE 1234567	EFF CODE	QTY PER ASSY
02-300	BRFM20A3		...NUTPLATE- (V52828) (SPEC BACN10JN3) (OPT MF1000-3BAC (V15653)) (OPT NS103218-02 (V80539)) (OPT RMF9201M3 (V72962)) (OPT VN252A02 (V92215)) (OPT MF1000-3BAC (V15653)) (OPT MF53049-3 (V15653))		1
305	315T1702-5		...BRACE		1

- Item Not Illustrated

78-31-15

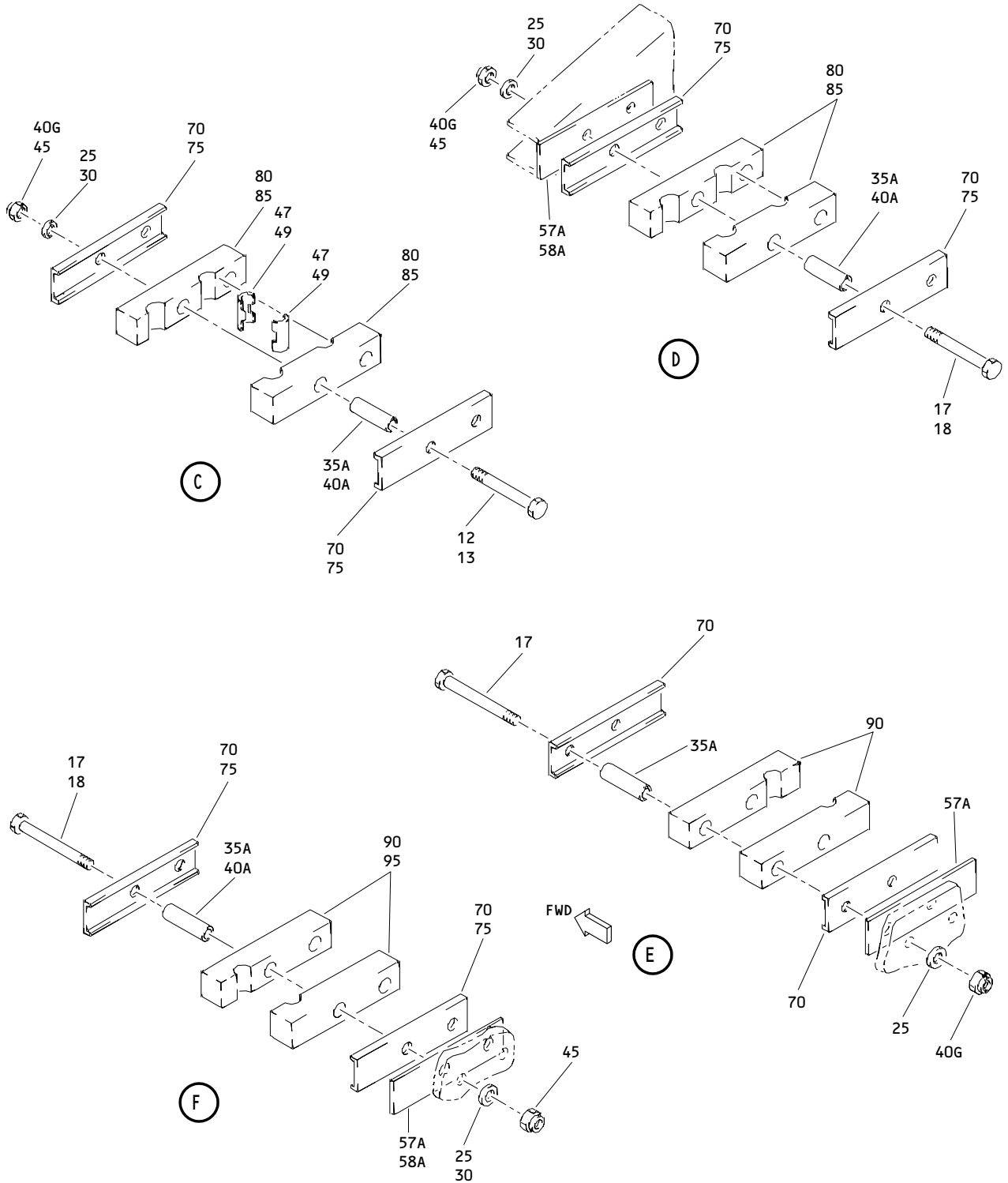
ILLUSTRATED PARTS LIST
01.1 Page 1052X
Jul 01/04



Thrust Reverser Actuator and Tubing Installation
 Figure 3 (Sheet 1)

78-31-15

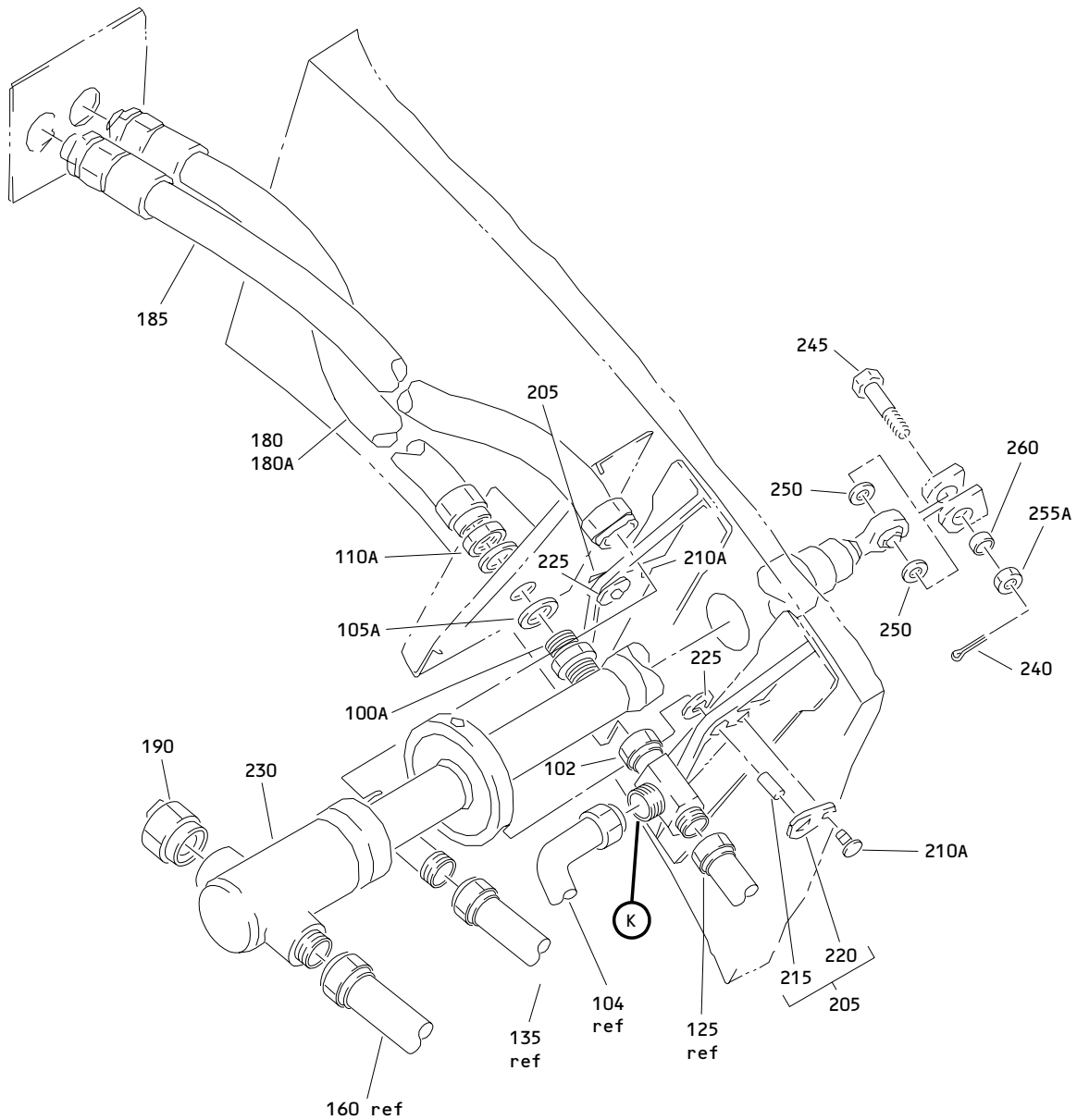
ILLUSTRATED PARTS LIST
 01.1 Page 10522
 Jul 01/04



Thrust Reverser Actuator and Tubing Installation
Figure 3 (Sheet 2)

78-31-15

ILLUSTRATED PARTS LIST
01.1 Page 1053
Jul 01/04

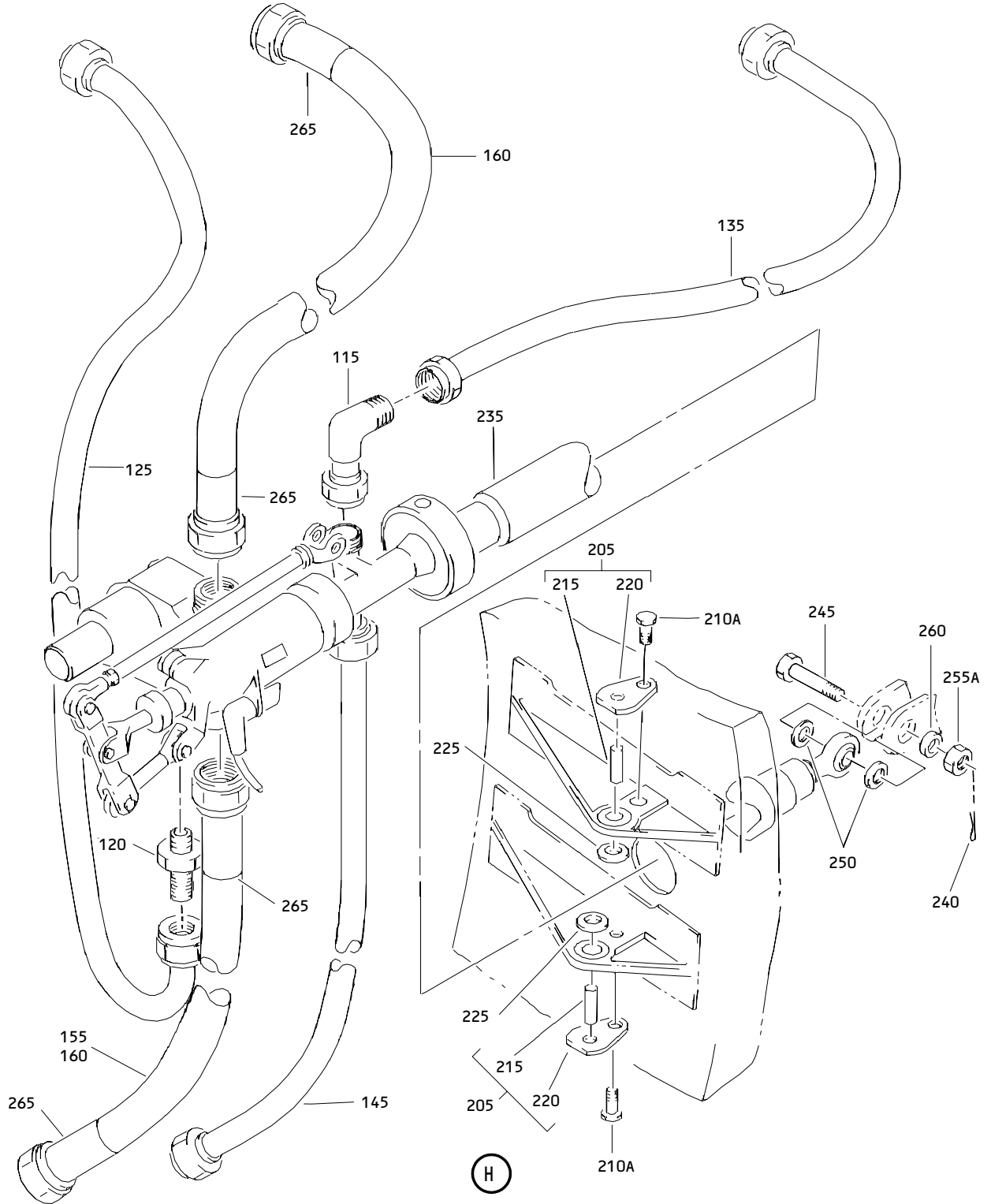


(G)

Thrust Reverser Actuator and Tubing Installation
 Figure 3 (Sheet 3)

78-31-15

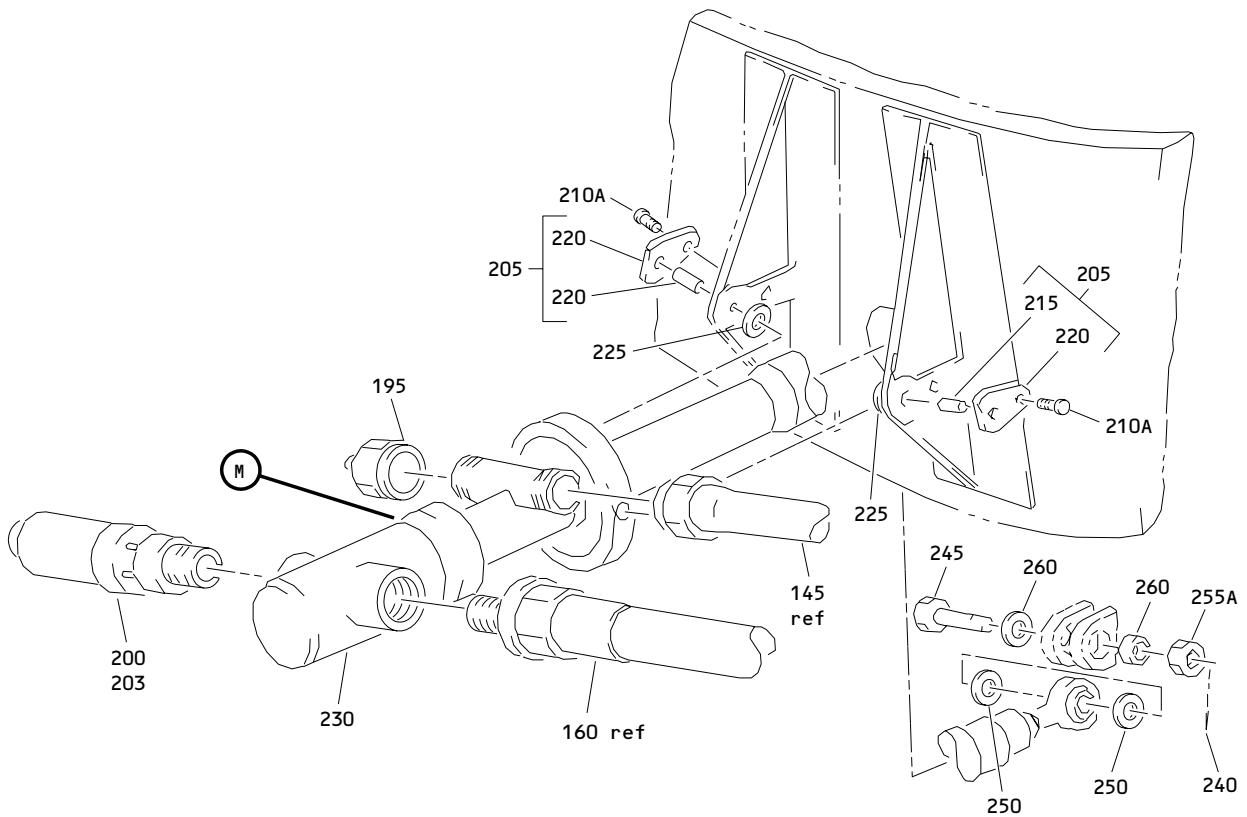
ILLUSTRATED PARTS LIST
 01.1 Page 1054
 Jul 01/04



Thrust Reverser Actuator and Tubing Installation
Figure 3 (Sheet 4)

78-31-15

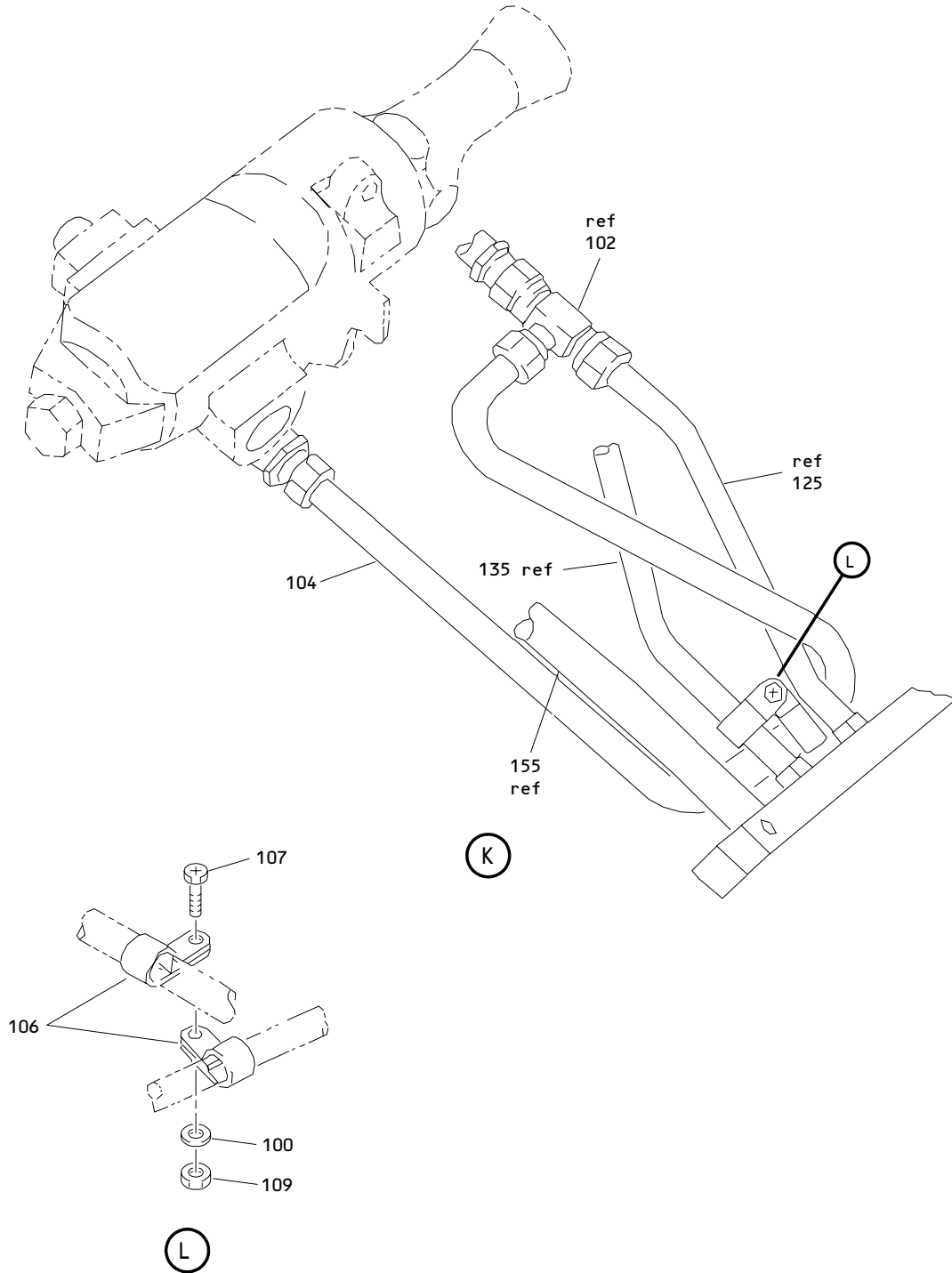
ILLUSTRATED PARTS LIST
01.1 Page 1054A
Jul 01/04



Thrust Reverser Actuator and Tubing Installation
 Figure 3 (Sheet 5)

78-31-15

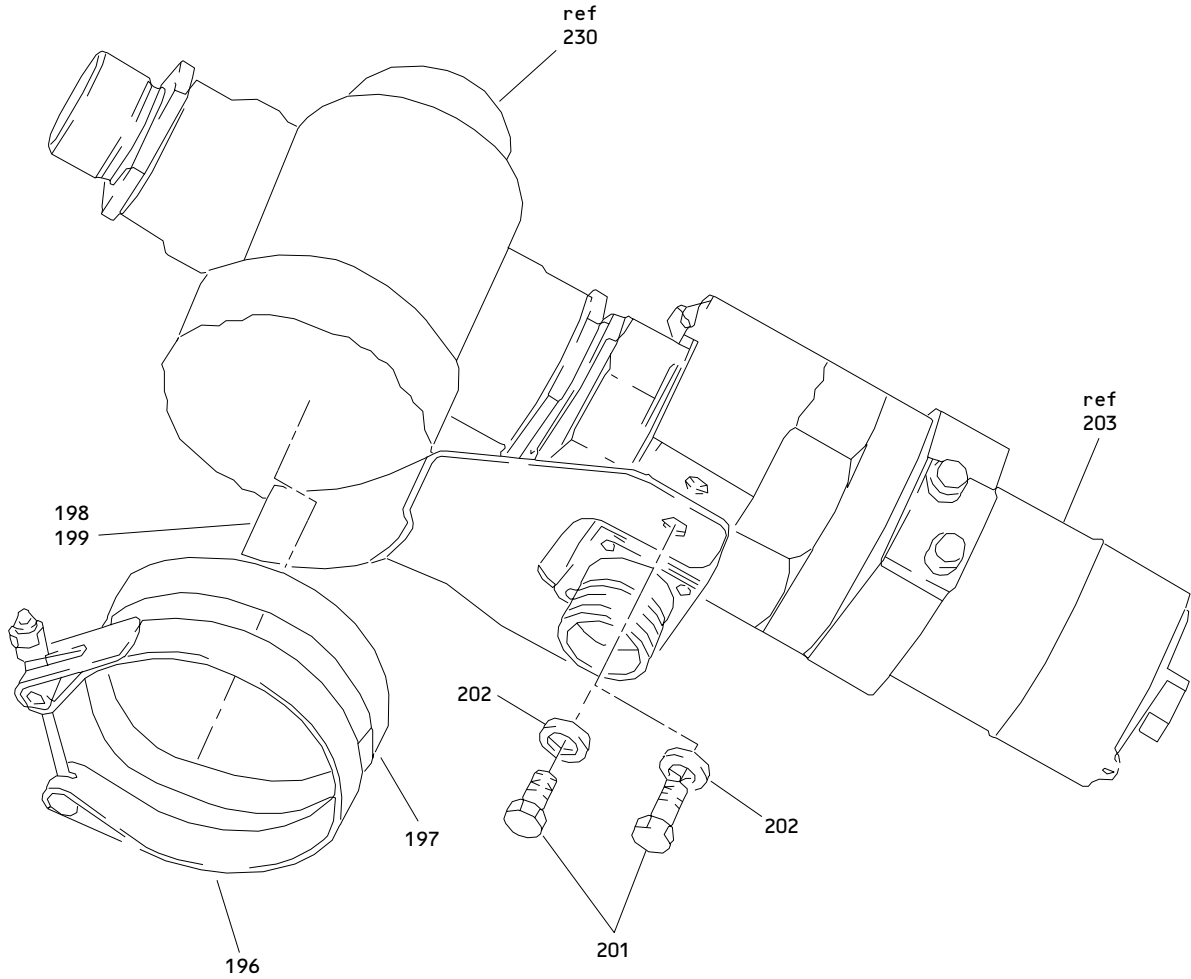
ILLUSTRATED PARTS LIST
 01.1 Page 1054B
 Jul 01/04



Thrust Reverser Actuator and Tubing Installation
Figure 3 (Sheet 6)

78-31-15

ILLUSTRATED PARTS LIST
01.1 Page 1054C
Jul 01/04



Thrust Reverser Actuator and Tubing Installation
Figure 3 (Sheet 7)

78-31-15

ILLUSTRATED PARTS LIST
01.1 Page 1054D
Jul 01/04

BOEING
COMPONENT
MAINTENANCE MANUAL

FIG. & ITEM	PART NO.	AIRLINE PART NUMBER	NOMENCLATURE	EFF CODE	QTY PER ASSY
03- -1	315T1602-1		1234567 ACTUATOR AND TUBING INSTL- THRUST REVERSER (LH) (REWORK DWG 315T1602-103)	A,C,A Q,AW, BL,BN ,DA,D Q,DW DY,EA ,EC	RF
-1A	315T1602-101		ACTUATOR AND TUBING INSTL- THRUST REVERSER (LH)	A,C,E ,G,J, L,N,Q ,S,U, W Y-AB, AG-AK ,AQ-A S,A W-AZ BD-BF ,BL,B N,BQ, BS,BU ,BW BY,CA ,CC,C E,CG, CJ,CL ,CN CQ,CS ,CU,C W,CY, DA,DC ,DE DG,DJ ,DL,D N,DQ, DS,DU ,DW DY,EA ,EC	RF
-1B	315T1602-103		DELETED		
-1C	315T1602-101		DELETED		

78-31-15

ILLUSTRATED PARTS LIST
01.1 Page 1054E
Jul 01/04

FIG. & ITEM	PART NO.	AIRLINE PART NUMBER	NOMENCLATURE	EFF CODE	QTY PER ASSY
			1234567		
03-5	315T1602-2		ACTUATOR AND TUBING INSTL-THRUST REVERSER (RH) (REWORK DWG 315T1602-104)	B,D,A T,BG, BM,BP ,BR,D D,DX DZ,EB ,ED	RF
-5A	315T1602-102		ACTUATOR AND TUBING INSTL-THRUST REVERSER (RH)	B,D,F ,H,K, M,P,R ,T,V, X AC-AF ,AL-A P,A T-AV, BA-BC BG,BJ ,BK,B M,BP, BR,BT ,BV BX,BZ ,CB,C D,CF, CH,CK ,CM CP,CR ,CT,C V,CX, CZ,DB ,DD DF,DH ,DK,D P,DR, DT,DV ,DX DZ,EB ,ED	RF
-5B	315T1602-104		DELETED		
-5C	315T1602-102		DELETED		

78-31-15

 ILLUSTRATED PARTS LIST
 01.1 Page 1054F
 Jul 01/04

 **BOEING**
COMPONENT
MAINTENANCE MANUAL

FIG. & ITEM	PART NO.	AIRLINE PART NUMBER	NOMENCLATURE	EFF CODE	QTY PER ASSY
03- 10 12	BACB30LM3-24 NAS1801-3-26		1234567 DELETED .SCREW	A,C,E ,G,J, L,N,Q ,S,U, W Y-AB, AG-AK ,AQ-A S,A W-AZ BD-BF ,BL,B N,BQ, BS,BU ,BW BY,CA ,CC,C E,CG, CJ,CL ,CN CQ,CS ,CU,C W,CY, DA,DC ,DE DG,DJ ,DL,D N,DQ, DS,DU ,DW DY,EA ,EC	6

78-31-15

ILLUSTRATED PARTS LIST
01.1 Page 1054G
Jul 01/04

FIG. & ITEM	PART NO.	AIRLINE PART NUMBER	NOMENCLATURE	EFF CODE	QTY PER ASSY
03-13	NAS1801-3-26		.SCREW	B,D,F ,H,K, M,P,R ,T,V, X AC-AF ,AL-A P,A T-AV, BA-BC BG,BJ ,BK,B M,BP, BR,BT ,BV BX,BZ ,CB,C D,CF, CH,CK ,CM CP,CR ,CT,C V,CX, CZ,DB ,DD DF,DH ,DK,D P,DR, DT,DV ,DX DZ,EB ,ED	6

78-31-15

ILLUSTRATED PARTS LIST
01.1 Page 1054H
Jul 01/04

 **BOEING**
COMPONENT
MAINTENANCE MANUAL

FIG. & ITEM	PART NO.	AIRLINE PART NUMBER	NOMENCLATURE	EFF CODE	QTY PER ASSY
03- 15 17	BACB30LM3-24 NAS1801-3-30		1234567 DELETED .SCREW	A,C,E ,G,J, L,N,Q ,S,U, W Y-AB, AG-AK ,AQ-A S,A W-AZ BD-BF ,BL,B N,BQ, BS,BU ,BW BY,CA ,CC,C E,CG, CJ,CL ,CN CQ,CS ,CU,C W,CY, DA,DC ,DE DG,DJ ,DL,D N,DQ, DS,DU ,DW DY,EA ,EC	12

78-31-15

ILLUSTRATED PARTS LIST
01.1 Page 1054I
Jul 01/04

FIG. & ITEM	PART NO.	AIRLINE PART NUMBER	NOMENCLATURE	EFF CODE	QTY PER ASSY
03-18	NAS1801-3-30		.SCREW	B,D,F ,H,K, M,P,R ,T,V, X AC-AF ,AL-A P,A T-AV, BA-BC BG,BJ ,BK,B M,BP, BR,BT ,BV BX,BZ ,CB,C D,CF, CH,CK ,CM CP,CR ,CT,C V,CX, CZ,DB ,DD DF,DH ,DK,D P,DR, DT,DV ,DX DZ,EB ,ED	10

78-31-15

 ILLUSTRATED PARTS LIST
 01.1 Page 1054J
 Jul 01/04

 **BOEING**
COMPONENT
MAINTENANCE MANUAL

FIG. & ITEM	PART NO.	AIRLINE PART NUMBER	NOMENCLATURE	EFF CODE	QTY PER ASSY
03- 20 25	BACB30LM3-27 AN960PD10		1234567 DELETED .WASHER	A,C,E ,G,J, L,N,Q ,S,U, W Y-AB, AG-AK ,AQ-A S,A W-AZ BD-BF ,BL,B N,BQ, BS,BU ,BW BY,CA ,CC,C E,CG, CJ,CL ,CN CQ,CS ,CU,C W,CY, DA,DC ,DE DG,DJ ,DL,D N,DQ, DS,DU ,DW DY,EA ,EC	18

78-31-15

ILLUSTRATED PARTS LIST
01.1 Page 1054K
Jul 01/04

FIG. & ITEM	PART NO.	AIRLINE PART NUMBER	NOMENCLATURE	EFF CODE	QTY PER ASSY
03-30	AN960PD10		.WASHER	B,D,F ,H,K, M,P,R ,T,V, X AC-AF ,AL-A P,A T-AV, BA-BC BG,BJ ,BK,B M,BP, BR,BT ,BV BX,BZ ,CB,C D,CF, CH,CK ,CM CP,CR ,CT,C V,CX, CZ,DB ,DD DF,DH ,DK,D P,DR, DT,DV ,DX DZ,EB ,ED	16

78-31-15

 ILLUSTRATED PARTS LIST
 01.1 Page 1054L
 Jul 01/04

 **BOEING**
COMPONENT
MAINTENANCE MANUAL

FIG. & ITEM	PART NO.	AIRLINE PART NUMBER	NOMENCLATURE	EFF CODE	QTY PER ASSY
03- 35 35A	NAS43DD3-76 NAS43DD3-66		1234567 DELETED . SPACER	A,C,E ,G,J, L,N,Q ,S,U, W Y-AB, AG-AK ,AQ-A S,A W-AZ BD-BF ,BL,B N,BQ, BS,BU ,BW BY,CA ,CC,C E,CG, CJ,CL ,CN CQ,CS ,CU,C W,CY, DA,DC ,DE DG,DJ ,DL,D N,DQ, DS,DU ,DW DY,EA ,EC	18

78-31-15

ILLUSTRATED PARTS LIST
01.1 Page 1054M
Jul 01/04

FIG. & ITEM	PART NO.	AIRLINE PART NUMBER	NOMENCLATURE	EFF CODE	QTY PER ASSY
03-40 40A	NAS43DD3-76 NAS43DD3-66		1234567 DELETED . SPACER	B, D, F , H, K, M, P, R , T, V, X AC-AF , AL-A P, A T-AV, BA-BC BG, BJ , BK, B M, BP, BR, BT , BV BX, BZ , CB, C D, CF, CH, CK , CM CP, CR , CT, C V, CX, CZ, DB , DD DF, DH , DK, D P, DR, DT, DV , DX DZ, EB , ED	16

78-31-15

ILLUSTRATED PARTS LIST
01.1 Page 1054N
Jul 01/04

 **BOEING**
COMPONENT
MAINTENANCE MANUAL

FIG. & ITEM	PART NO.	AIRLINE PART NUMBER	NOMENCLATURE	EFF CODE	QTY PER ASSY
03-40G	BRH10C3M		1234567 .NUT- (V52828) (SPEC BACN10JC3CM) (OPT T6C1032JM (V11815)) (OPT 97E02 (V80539)) (OPT 109LH9075-3W (V72962)) (OPT VN303D02 (V92215)) (OPT NS202101SE02 (V80539)) (OPT H01-3BAC (V15653))	A,C,E ,G,J, L,N,Q ,S,U, W Y-AB, AG-AK ,AQ-A S,A W-AZ BD-BF ,BL,B N,BQ, BS,BU ,BW BY,CA ,CC,C E,CG, CJ,CL ,CN CQ,CS ,CU,C W,CY, DA,DC ,DE DG,DJ ,DL,D N,DQ, DS,DU ,DW DY,EA ,EC	18

78-31-15

ILLUSTRATED PARTS LIST
01.1 Page 10540
Jul 01/04

FIG. & ITEM	PART NO.	AIRLINE PART NUMBER	NOMENCLATURE	EFF CODE	QTY PER ASSY
03-45	BRH10C3M		1234567 .NUT- (V52828) (SPEC BACN10JC3CM) (OPT T6C1032JM (V11815)) (OPT 97E02 (V80539)) (OPT 109LH9075-3W (V72962)) (OPT VN303D02 (V92215)) (OPT NS202101SE02 (V80539)) (OPT H01-3BAC (V15653))	B,D,F ,H,K, M,P,R ,T,V, X AC-AF ,AL-A P,A T-AV, BA-BC BG,BJ ,BK,B M,BP, BR,BT ,BV BX,BZ ,CB,C D,CF, CH,CK ,CM CP,CR ,CT,C V,CX, CZ,DB ,DD DF,DH ,DK,D P,DR, DT,DV ,DX DZ,EB ,ED	16

78-31-15

 ILLUSTRATED PARTS LIST
 01.1 Page 1054P
 Jul 01/04

 **BOEING**
COMPONENT
MAINTENANCE MANUAL

FIG. & ITEM	PART NO.	AIRLINE PART NUMBER	NOMENCLATURE	EFF CODE	QTY PER ASSY
03-47	BACC10GT2-06		1234567 CLAMP SHELL- (V83930) (SPEC BACC10GT2-06)	A,C,E ,G,J, L,N,Q ,S,U, W Y-AB, AG-AK ,AQ-A S,A W-AZ BD-BF ,BL,B N,BQ, BS,BU ,BW BY,CA ,CC,C E,CG, CJ,CL ,CN CQ,CS ,CU,C W,CY, DA,DC ,DE DG,DJ ,DL,D N,DQ, DS,DU ,DW DY,EA ,EC	8

78-31-15

ILLUSTRATED PARTS LIST
01.1 Page 1054Q
Jul 01/04

FIG. & ITEM	PART NO.	AIRLINE PART NUMBER	NOMENCLATURE 1234567	EFF CODE	QTY PER ASSY
03-49	BACC10GT2-06		.CLAMPSHELL- (V83930) (SPEC BACC10GT2-06)	B,D,F ,H,K, M,P,R ,T,V, X AC-AF ,AL-A P,A T-AV, BA-BC BG,BJ ,BK,B M,BP, BR,BT ,BV BX,BZ ,CB,C D,CF, CH,CK ,CM CP,CR ,CT,C V,CX, CZ,DB ,DD DF,DH ,DK,D P,DR, DT,DV ,DX DZ,EB ,ED	10

78-31-15

 ILLUSTRATED PARTS LIST
 01.1 Page 1054R
 Jul 01/04

 **BOEING**
COMPONENT
MAINTENANCE MANUAL

FIG. & ITEM	PART NO.	AIRLINE PART NUMBER	NOMENCLATURE	EFF CODE	QTY PER ASSY
03-50	315T3635-8		1234567 .CHANNEL	A,C,E ,G,J, L,N,Q ,S,U, W Y-AB, AG-AK ,AQ-A S,A W-AZ BD-BF ,BL,B N,BQ, BS,BU ,BW BY,CA ,CC,C E,CG, CJ,CL ,CN CQ,CS ,CU,C W,CY, DA,DC ,DE DG,DJ ,DL,D N,DQ, DS,DU ,DW DY,EA ,EC	6

78-31-15

ILLUSTRATED PARTS LIST

01.1 Page 1054S

Jul 01/04

FIG. & ITEM	PART NO.	AIRLINE PART NUMBER	NOMENCLATURE	EFF CODE	QTY PER ASSY
03-55	315T3635-8		1234567 CHANNEL	B,D,F ,H,K, M,P,R ,T,V, X AC-AF ,AL-A P,A T-AV, BA-BC BG,BJ ,BK,B M,BP, BR,BT ,BV BX,BZ ,CB,C D,CF, CH,CK ,CM CP,CR ,CT,C V,CX, CZ,DB ,DD DF,DH ,DK,D P,DR, DT,DV ,DX DZ,EB ,ED	8

78-31-15

 ILLUSTRATED PARTS LIST
 01.1 Page 1054T
 Jul 01/04

 **BOEING**
COMPONENT
MAINTENANCE MANUAL

FIG. & ITEM	PART NO.	AIRLINE PART NUMBER	NOMENCLATURE	EFF CODE	QTY PER ASSY
03- 57 57A	BACS40R6F44F BACS40R9F44F		1234567 DELETED .SHIM	A,C,E ,G,J, L,N,Q ,S,U, W Y-AB, AG-AK ,AQ-A S,A W-AZ BD-BF ,BL,B N,BQ, BS,BU ,BW BY,CA ,CC,C E,CG, CJ,CL ,CN CQ,CS ,CU,C W,CY, DA,DC ,DE DG,DJ ,DL,D N,DQ, DS,DU ,DW DY,EA ,EC	AR

78-31-15

ILLUSTRATED PARTS LIST
01.1 Page 1054U
Jul 01/04

FIG. & ITEM	PART NO.	AIRLINE PART NUMBER	NOMENCLATURE	EFF CODE	QTY PER ASSY
03-58 58A	BACS40R6F44F BACS40R9F44F		1234567 DELETED .SHIM	B,D,F ,H,K, M,P,R ,T,V, X AC-AF ,AL-A P,A T-AV, BA-BC BG,BJ ,BK,B M,BP, BR,BT ,BV BX,BZ ,CB,C D,CF, CH,CK ,CM CP,CR ,CT,C V,CX, CZ,DB ,DD DF,DH ,DK,D P,DR, DT,DV ,DX DZ,EB ,ED	AR

78-31-15

ILLUSTRATED PARTS LIST
01.1 Page 1054V
Jul 01/04

BOEING
COMPONENT
MAINTENANCE MANUAL

FIG. & ITEM	PART NO.	AIRLINE PART NUMBER	NOMENCLATURE	EFF CODE	QTY PER ASSY
03-60	315T3635-7		. FAIRLEAD	A,C,E ,G,J, L,N,Q ,S,U, W Y-AB, AG-AK ,AQ-A S,A W-AZ BD-BF ,BL,B N,BQ, BS,BU ,BW BY,CA ,CC,C E,CG, CJ,CL ,CN CQ,CS ,CU,C W,CY, DA,DC ,DE DG,DJ ,DL,D N,DQ, DS,DU ,DW DY,EA ,EC	6

78-31-15

ILLUSTRATED PARTS LIST
01.1 Page 1054W
Jul 01/04

FIG. & ITEM	PART NO.	AIRLINE PART NUMBER	NOMENCLATURE	EFF CODE	QTY PER ASSY
03-65	315T3635-7		.FAIRLEAD	B,D,F ,H,K, M,P,R ,T,V, X AC-AF ,AL-A P,A T-AV, BA-BC BG,BJ ,BK,B M,BP, BR,BT ,BV BX,BZ ,CB,C D,CF, CH,CK ,CM CP,CR ,CT,C V,CX, CZ,DB ,DD DF,DH ,DK,D P,DR, DT,DV ,DX DZ,EB ,ED	8

78-31-15

ILLUSTRATED PARTS LIST
 01.1 Page 1054X
 Jul 01/04

 **BOEING**
COMPONENT
MAINTENANCE MANUAL

FIG. & ITEM	PART NO.	AIRLINE PART NUMBER	NOMENCLATURE	EFF CODE	QTY PER ASSY
03-70	315T3635-2		1234567 .CHANNEL	A,C,E ,G,J, L,N,Q ,S,U, W Y-AB, AG-AK ,AQ-A S,A W-AZ BD-BF ,BL,B N,BQ, BS,BU ,BW BY,CA ,CC,C E,CG, CJ,CL ,CN CQ,CS ,CU,C W,CY, DA,DC ,DE DG,DJ ,DL,D N,DQ, DS,DU ,DW DY,EA ,EC	12

78-31-15

ILLUSTRATED PARTS LIST

01.1 Page 1054Y

Jul 01/04

FIG. & ITEM	PART NO.	AIRLINE PART NUMBER	NOMENCLATURE	EFF CODE	QTY PER ASSY
03-75	315T3635-2		1234567 CHANNEL	B,D,F ,H,K, M,P,R ,T,V, X AC-AF ,AL-A P,A T-AV, BA-BC BG,BJ ,BK,B M,BP, BR,BT ,BV BX,BZ ,CB,C D,CF, CH,CK ,CM CP,CR ,CT,C V,CX, CZ,DB ,DD DF,DH ,DK,D P,DR, DT,DV ,DX DZ,EB ,ED	8

78-31-15

 ILLUSTRATED PARTS LIST
 01.1 Page 1054Z
 Jul 01/04

 **BOEING**
COMPONENT
MAINTENANCE MANUAL

FIG. & ITEM	PART NO.	AIRLINE PART NUMBER	NOMENCLATURE	EFF CODE	QTY PER ASSY
03-80	315T3635-1		1234567 . FAIRLEAD	A,C,E ,G,J, L,N,Q ,S,U, W Y-AB, AG-AK ,AQ-A S,A W-AZ BD-BF ,BL,B N,BQ, BS,BU ,BW BY,CA ,CC,C E,CG, CJ,CL ,CN CQ,CS ,CU,C W,CY, DA,DC ,DE DG,DJ ,DL,D N,DQ, DS,DU ,DW DY,EA ,EC	8

78-31-15

ILLUSTRATED PARTS LIST
01.1 Page 1055
Jul 01/04

FIG. & ITEM	PART NO.	AIRLINE PART NUMBER	NOMENCLATURE	EFF CODE	QTY PER ASSY
03-85	315T3635-1		.FAIRLEAD	B,D,F ,H,K, M,P,R ,T,V, X AC-AF ,AL-A P,A T-AV, BA-BC BG,BJ ,BK,B M,BP, BR,BT ,BV BX,BZ ,CB,C D,CF, CH,CK ,CM CP,CR ,CT,C V,CX, CZ,DB ,DD DF,DH ,DK,D P,DR, DT,DV ,DX DZ,EB ,ED	6

78-31-15

 ILLUSTRATED PARTS LIST
 01.1 Page 1056
 Jul 01/04

 **BOEING**
COMPONENT
MAINTENANCE MANUAL

FIG. & ITEM	PART NO.	AIRLINE PART NUMBER	NOMENCLATURE	EFF CODE	QTY PER ASSY
03-90	315T3635-12		. FAIRLEAD	A,C,E ,G,J, L,N,Q ,S,U, W Y-AB, AG-AK ,AQ-A S,A W-AZ BD-BF ,BL,B N,BQ, BS,BU ,BW BY,CA ,CC,C E,CG, CJ,CL ,CN CQ,CS ,CU,C W,CY, DA,DC ,DE DG,DJ ,DL,D N,DQ, DS,DU ,DW DY,EA ,EC	4

78-31-15

ILLUSTRATED PARTS LIST
01.1 Page 1056A
Jul 01/04

FIG. & ITEM	PART NO.	AIRLINE PART NUMBER	NOMENCLATURE	EFF CODE	QTY PER ASSY
03-95	315T3635-12		.FAIRLEAD	B,D,F ,H,K, M,P,R ,T,V, X AC-AF ,AL-A P,A T-AV, BA-BC BG,BJ ,BK,B M,BP, BR,BT ,BV BX,BZ ,CB,C D,CF, CH,CK ,CM CP,CR ,CT,C V,CX, CZ,DB ,DD DF,DH ,DK,D P,DR, DT,DV ,DX DZ,EB ,ED	2

78-31-15

 ILLUSTRATED PARTS LIST
 01.1 Page 1056B
 Jul 01/04

 **BOEING**
COMPONENT
MAINTENANCE MANUAL

FIG. & ITEM	PART NO.	AIRLINE PART NUMBER	NOMENCLATURE	EFF CODE	QTY PER ASSY
03- 100 100A	AFP2380806J AFP238-0608J		1234567 DELETED .UNION- (V30974) (SPEC BACU24AA0608J) (OPT ER832-0608J (V50948)) (OPT LER832-0608J (V11328)) (OPT 2-010890608J (V11328)) (OPT APX832-0608J (V01673)) (OPT DBOU24AA0608J (V61498)) (OPT FER1579-0608J (V14397)) (OPT US2113-0608J (V50808)) (OPT APX832J0608 (V01673))		1

78-31-15

ILLUSTRATED PARTS LIST
01.1 Page 1056C
Jul 01/04

FIG. & ITEM	PART NO.	AIRLINE PART NUMBER	NOMENCLATURE	EFF CODE	QTY PER ASSY
03-102	BACT16BR060606J		.TEE- (POST SB 767-78-0067)		1
104	315T4725-7		.TUBE ASSY- (POST SB 767-78-0067)	A,C,E ,G,J, L,N,Q ,S,U, W Y-AB, AG-AK ,AQ-A S,A W-AZ BD-BF ,BL,B N,BQ, BS,BU ,BW BY,CA ,CC,C E,CG, CJ,CL ,CN CQ,CS ,CU,C W,CY, DA,DC ,DE DG,DJ ,DL,D N,DQ, DS,DU ,DW DY,EA ,EC	1

78-31-15

 ILLUSTRATED PARTS LIST
 01.1 Page 1056D
 Jul 01/04

 **BOEING**
COMPONENT
MAINTENANCE MANUAL

FIG. & ITEM	PART NO.	AIRLINE PART NUMBER	NOMENCLATURE 1234567	EFF CODE	QTY PER ASSY
03- 105 105A 106	AN960C1216 AN960PD916 JM44LC13WH6R		DELETED .WASHER .CLAMP-P (V22175) (SPEC BACC10GE6C) (OPT S369WHSS6 (V18076)) (OPT TA12C32WH6 (V84971)) (OPT 509SS6 (V83930)) (POST SB 767-78-0067)	A,C,E ,G,J, L,N,Q ,S,U, W Y-AB, AG-AK ,AQ-A S,A W-AZ BD-BF ,BL,B N,BQ, BS,BU ,BW BY,CA ,CC,C E,CG, CJ,CL ,CN CQ,CS ,CU,C W,CY, DA,DC ,DE DG,DJ ,DL,D N,DQ, DS,DU ,DW DY,EA ,EC	2 2
			ATTACHING PARTS		

78-31-15

ILLUSTRATED PARTS LIST
01.1 Page 1056E
Jul 01/04

FIG. & ITEM	PART NO.	AIRLINE PART NUMBER	NOMENCLATURE	EFF CODE	QTY PER ASSY
03-107	NAS1801-3-3		.SCREW- (POST SB 767-78-0067)	A,C,E ,G,J, L,N,Q ,S,U, W Y-AB, AG-AK ,AQ-A S,A W-AZ BD-BF ,BL,B N,BQ, BS,BU ,BW BY,CA ,CC,C E,CG, CJ,CL ,CN CQ,CS ,CU,C W,CY, DA,DC ,DE DG,DJ ,DL,D N,DQ, DS,DU ,DW DY,EA ,EC	1

78-31-15

 ILLUSTRATED PARTS LIST
 01.1 Page 1056F
 Jul 01/04

 **BOEING**
COMPONENT
MAINTENANCE MANUAL

FIG. & ITEM	PART NO.	AIRLINE PART NUMBER	NOMENCLATURE	EFF CODE	QTY PER ASSY
03-108	AN960C10L		1234567 WASHER- (POST SB 767-78-0067)	A,C,E ,G,J, L,N,Q ,S,U, W Y-AB, AG-AK ,AQ-A S,A W-AZ BD-BF ,BL,B N,BQ, BS,BU ,BW BY,CA ,CC,C E,CG, CJ,CL ,CN CQ,CS ,CU,C W,CY, DA,DC ,DE DG,DJ ,DL,D N,DQ, DS,DU ,DW DY,EA ,EC	1

78-31-15

ILLUSTRATED PARTS LIST
01.1 Page 1056G
Jul 01/04

FIG. & ITEM	PART NO.	AIRLINE PART NUMBER	NOMENCLATURE	EFF CODE	QTY PER ASSY
03-109	H10-3BAC		1234567 .NUT- (V15653) (SPEC BACN10JC3) (OPT NS202101-02 (V80539)) (OPT RMLH9075-3W (V72962)) (OPT T6S1032J (V71087)) (OPT VN303A02 (V92215)) (OPT 96-02 (V80539)) (OPT BRH10A3 (V52828)) (POST SB 767-78-0067)	A,C,E ,G,J, L,N,Q ,S,U, W Y-AB, AG-AK ,AQ-A S,A W-AZ BD-BF ,BL,B N,BQ, BS,BU ,BW BY,CA ,CC,C E,CG, CJ,CL ,CN CQ,CS ,CU,C W,CY, DA,DC ,DE DG,DJ ,DL,D N,DQ, DS,DU ,DW DY,EA ,EC	1
110	AN924-8J		-----*----- DELETED		
110A	AN924-6J		.NUT		1
115	BACE21AU0606		.ELBOW		1

78-31-15

 ILLUSTRATED PARTS LIST
 01.1 Page 1056H
 Jul 01/04

BOEING
COMPONENT
MAINTENANCE MANUAL

FIG. & ITEM	PART NO.	AIRLINE PART NUMBER	NOMENCLATURE	EFF CODE	QTY PER ASSY
03-117	315T4725-6		1234567 .TUBE ASSY- (POST SB 767-78-0067)	B,D,F ,H,K, M,P,R ,T,V, X AC-AF ,AL-A P,A T-AV, BA-BC BG,BJ ,BK,B M,BP, BR,BT ,BV BX,BZ ,CB,C D,CF, CH,CK ,CM CP,CR ,CT,C V,CX, CZ,DB ,DD DF,DH ,DK,D P,DR, DT,DV ,DX DZ,EB ,ED	1

78-31-15

ILLUSTRATED PARTS LIST
01.1 Page 1056I
Jul 01/04

FIG. & ITEM	PART NO.	AIRLINE PART NUMBER	NOMENCLATURE	EFF CODE	QTY PER ASSY
03-120	MS21902J6		.UNION	A,C,E ,G,J, L,N,Q ,S,U, W Y-AB, AG-AK ,AQ-A S,A W-AZ BD-BF ,BL,B N,BQ, BS,BU ,BW BY,CA ,CC,C E,CG, CJ,CL ,CN CQ,CS ,CU,C W,CY, DA,DC ,DE DG,DJ ,DL,D N,DQ, DS,DU ,DW DY,EA ,EC	1

78-31-15

ILLUSTRATED PARTS LIST
 01.1 Page 1056J
 Jul 01/04

 **BOEING**
COMPONENT
MAINTENANCE MANUAL

FIG. & ITEM	PART NO.	AIRLINE PART NUMBER	NOMENCLATURE	EFF CODE	QTY PER ASSY
03-125	315T1602-3		1234567 .TUBE ASSY- (MFD FROM TUBING CRES 21-6-9 BMS7-185 F-25.01 0.375 IN. OD 0.020 IN. WALL 70.0 IN. LG) (PRE SB 757-78-0067)	A,C,E ,G,J, L,N,Q ,S,U, W Y-AB, AG-AK ,AQ-A S,A W-AZ BD-BF ,BL,B N,BQ, BS,BU ,BW BY,CA ,CC,C E,CG, CJ,CL ,CN CQ,CS ,CU,C W,CY, DA,DC ,DE DG,DJ ,DL,D N,DQ, DS,DU ,DW DY,EA ,EC	1

78-31-15

ILLUSTRATED PARTS LIST
01.1 Page 1056K
Jul 01/04

FIG. & ITEM	PART NO.	AIRLINE PART NUMBER	NOMENCLATURE	EFF CODE	QTY PER ASSY
03-125A	315T4725-9		.TUBE ASSY- (POST SB 757-78-0067)	A,C,E ,G,J, L,N,Q ,S,U, W Y-AB, AG-AK ,AQ-A S,A W-AZ BD-BF ,BL,B N,BQ, BS,BU ,BW BY,CA ,CC,C E,CG, CJ,CL ,CN CQ,CS ,CU,C W,CY, DA,DC ,DE DG,DJ ,DL,D N,DQ, DS,DU ,DW DY,EA ,EC	1

78-31-15

 ILLUSTRATED PARTS LIST
 01.1 Page 1056L
 Jul 01/04

 **BOEING**
COMPONENT
MAINTENANCE MANUAL

FIG. & ITEM	PART NO.	AIRLINE PART NUMBER	NOMENCLATURE	EFF CODE	QTY PER ASSY
03-130	315T1602-11		1234567 .TUBE ASSY- (MFD FROM TUBING CRES 21-6-9 BMS7-185 F-25.01 0.375 IN. OD 0.020 IN. WALL 57.0 IN. LG) (PRE SB 757-78-0067)	B,D,F ,H,K, M,P,R ,T,V, X AC-AF ,AL-A P,A T-AV, BA-BC BG,BJ ,BK,B M,BP, BR,BT ,BV BX,BZ ,CB,C D,CF, CH,CK ,CM CP,CR ,CT,C V,CX, CZ,DB ,DD DF,DH ,DK,D P,DR, DT,DV ,DX DZ,EB ,ED	1

78-31-15

ILLUSTRATED PARTS LIST
01.1 Page 1056M
Jul 01/04

FIG. & ITEM	PART NO.	AIRLINE PART NUMBER	NOMENCLATURE	EFF CODE	QTY PER ASSY
03-130A	315T4725-8		.TUBE ASSY- (POST SB 757-78-0067)	B,D,F ,H,K, M,P,R ,T,V, X AC-AF ,AL-A P,A T-AV, BA-BC BG,BJ ,BK,B M,BP, BR,BT ,BV BX,BZ ,CB,C D,CF, CH,CK ,CM CP,CR ,CT,C V,CX, CZ,DB ,DD DF,DH ,DK,D P,DR, DT,DV ,DX DZ,EB ,ED	1

78-31-15

 ILLUSTRATED PARTS LIST
 01.1 Page 1056N
 Jul 01/04

 **BOEING**
COMPONENT
MAINTENANCE MANUAL

FIG. & ITEM	PART NO.	AIRLINE PART NUMBER	NOMENCLATURE	EFF CODE	QTY PER ASSY
03-135	315T1602-5		1234567 .TUBE ASSY- (MFD FROM TUBING CRES 21-6-9 BMS7-185 F-25.01 0.375 IN. OD 0.020 IN. WALL 59.0 IN. LG)	A,C,E ,G,J, L,N,Q ,S,U, W Y-AB, AG-AK ,AQ-A S,A W-AZ BD-BF ,BL,B N,BQ, BS,BU ,BW BY,CA ,CC,C E,CG, CJ,CL ,CN CQ,CS ,CU,C W,CY, DA,DC ,DE DG,DJ ,DL,D N,DQ, DS,DU ,DW DY,EA ,EC	1

78-31-15

ILLUSTRATED PARTS LIST
01.1 Page 10560
Jul 01/04

FIG. & ITEM	PART NO.	AIRLINE PART NUMBER	NOMENCLATURE	EFF CODE	QTY PER ASSY
03-140	315T1602-6		1234567 .TUBE ASSY- (MFD FROM TUBING CRES 21-6-9 BMS7-185 F-25.01 0.375 IN. OD 0.020 IN. WALL 59.0 IN. LG)	B,D,F ,H,K, M,P,R ,T,V, X AC-AF ,AL-A P,A T-AV, BA-BC BG,BJ ,BK,B M,BP, BR,BT ,BV BX,BZ ,CB,C D,CF, CH,CK ,CM CP,CR ,CT,C V,CX, CZ,DB ,DD DF,DH ,DK,D P,DR, DT,DV ,DX DZ,EB ,ED	1

78-31-15

 ILLUSTRATED PARTS LIST
 01.1 Page 1056P
 Jul 01/04

 **BOEING**
COMPONENT
MAINTENANCE MANUAL

FIG. & ITEM	PART NO.	AIRLINE PART NUMBER	NOMENCLATURE	EFF CODE	QTY PER ASSY
03-145	315T1602-7		1234567 .TUBE ASSY- (MFD FROM TUBING CRES 21-6-9 BMS7-185 F-25.01 0.375 IN. OD 0.020 IN. WALL 62.0 IN. LG)	A,C,E ,G,J, L,N,Q ,S,U, W Y-AB, AG-AK ,AQ-A S,A W-AZ BD-BF ,BL,B N,BQ, BS,BU ,BW BY,CA ,CC,C E,CG, CJ,CL ,CN CQ,CS ,CU,C W,CY, DA,DC ,DE DG,DJ ,DL,D N,DQ, DS,DU ,DW DY,EA ,EC	1

78-31-15

ILLUSTRATED PARTS LIST
01.1 Page 1056Q
Jul 01/04

FIG. & ITEM	PART NO.	AIRLINE PART NUMBER	NOMENCLATURE	EFF CODE	QTY PER ASSY
03-150	315T1602-8		1234567 .TUBE ASSY- (MFD FROM TUBING CRES 21-6-9 BMS7-185 F-25.01 0.375 IN. OD 0.020 IN. WALL 64.0 IN. LG)	B,D,F ,H,K, M,P,R ,T,V, X AC-AF ,AL-A P,A T-AV, BA-BC BG,BJ ,BK,B M,BP, BR,BT ,BV BX,BZ ,CB,C D,CF, CH,CK ,CM CP,CR ,CT,C V,CX, CZ,DB ,DD DF,DH ,DK,D P,DR, DT,DV ,DX DZ,EB ,ED	1

78-31-15

 ILLUSTRATED PARTS LIST
 01.1 Page 1056R
 Jul 01/04

 **BOEING**
COMPONENT
MAINTENANCE MANUAL

FIG. & ITEM	PART NO.	AIRLINE PART NUMBER	NOMENCLATURE 1234567	EFF CODE	QTY PER ASSY
03- -152	DB0S13BX06H		..SLEEVE- (V14798) (SPEC BACS13BX06H) (OPT 2-02903-06H (V11328)) (OPT 35235V06 (V08199)) (OPT AP2097-06H (V01673)) (OPT AFP175V06 (V30974))		2
-153	BACN10CS06J		..NUT- (USED ON ITEMS 125, 130)		2
-153A	AFP107-6		..NUT- (V30974) (SPEC BACN10NR6) (OPT AP1028T6 (V01673)) (OPT BC921T6 (V50948)) (OPT DBON10NR6 (V14798)) (OPT ER01921-6T (V88334)) (OPT FER8928-6 (V14397)) (OPT F11-6 (V73197)) (OPT 2-03005T6 (V11328)) (OPT 31783-6 (V14397)) (OPT ITEM 153B) (USED ON ITEMS 125A, 130A)		2
-153B	MS21921-6J		..NUT- (OPT ITEM 153A) (USED ON ITEMS 125A, 130A)		2

78-31-15

ILLUSTRATED PARTS LIST
01.1 Page 1056S
Jul 01/04

FIG. & ITEM	PART NO.	AIRLINE PART NUMBER	NOMENCLATURE 1234567	EFF CODE	QTY PER ASSY
03- -154	BACN10CS06J		..NUT- (USED ON ITEMS 135, 140, 145, 150)		2
155 -155A	4242100-2 4242100-12		DELETED .TUBE ASSY- (V93835) (SPEC S315T360-36) (REWORK DWG 315T1602-103, 315T1602-104) (USED ON ITEMS 1, 5)	A-D, A Q, AT, AW, BG , BL-B P, DA DD, DQ , DR, D W-ED	2
-155B	4242100-12		.TUBE ASSY- (V93835) (SPEC S315T360-36)		2
160	4242200-1		.SHAFT-ROTARY FLEX (V93835) (SPEC S315T360-5)		2
180	AS119G0150DDN		.HOSE ASSY- (V00624) (SPEC BACH6P0150DDN) (OPT R8947P0150DDN (V06851)) (OPT R8947P0150DDN (V50599)) (OPT R8963P0150DDN (V06851)) (OPT R8963P0150DDN (V50599)) (OPT 95860P0150DDN (V78570)) (OPT 96854P0150DDN (V78570)) (OPT B462P0150N (V98441))		1

78-31-15

 ILLUSTRATED PARTS LIST
 01.1 Page 1056T
 Jul 01/04

 **BOEING**
COMPONENT
MAINTENANCE MANUAL

FIG. & ITEM	PART NO.	AIRLINE PART NUMBER	NOMENCLATURE 1234567	EFF CODE	QTY PER ASSY
03-180A	R8963P0150CCN		.HOSE ASSY- (V06851) (SPEC BACH6P0150CCN) (OPT R8963P0150CCN (V50599)) (OPT 96854P0150CCN (V78570)) (OPT AS152G0150CCN (V00624)) (OPT B462P0150CCN (V98441)) (OPT AS119G0150CCN (V00624)) (OPT R8947P0150CCN (V06851)) (OPT R8947P0150CCN (V50599))		1
185	R8963P0120CCN		.HOSE ASSY- (V06851) (SPEC BACH6P0120CCN) (OPT AS119G0120CCN (V00624)) (OPT R8947P0120CCN (V06851)) (OPT R8947P0120CCN (V50599)) (OPT R8963P0120CCN (V50599)) (OPT 95860P0120CCN (V78570)) (OPT 96854P0120CCN (V78570)) (OPT AS152G0120CCN (V00624))		1
185A	AS119G0135CCN		DELETED		

78-31-15

ILLUSTRATED PARTS LIST
01.1 Page 1056U
Jul 01/04

FIG. & ITEM	PART NO.	AIRLINE PART NUMBER	NOMENCLATURE 1234567	EFF CODE	QTY PER ASSY
03-190	AP1008-12J		.CAP ASSY- (V01673) (SPEC BACC14AD12J) (OPT DBOC14AD12J (V14798)) (OPT FER22661-12J (V14397)) (OPT 2-02813-12J (V11328)) (OPT 4690009-12J (V50948)) (OPT AFP241-12J (V30974)) (OPT US2103-12J (V50808))		1
195	AP1008-06J		.CAP ASSY- (V01673) (SPEC BACC14AD06J) (OPT DBOC14AD06J (V14798)) (OPT FER22661-06J (V14397)) (OPT 2-02813-06J (V11328)) (OPT 4690009-06J (V50948)) (OPT AFP241-06J (V30974)) (OPT US2103-06J (V50808))		1

78-31-15

 ILLUSTRATED PARTS LIST
 01.1 Page 1056V
 Jul 01/04

 **BOEING**
COMPONENT
MAINTENANCE MANUAL

FIG. & ITEM	PART NO.	AIRLINE PART NUMBER	NOMENCLATURE	EFF CODE	QTY PER ASSY
03-196	MBC5825275LM		1234567 . CLAMP- (V98625) (SPEC BACC10BN275LM) (OPT 3078C275LM (V94581)) (OPT 1044275LM (V94581)) (OPT BC1080S275LZ (V14242)) (OPT MBC5825275LM (V00624)) (OPT 19396N275LM (V00624))		1

78-31-15

ILLUSTRATED PARTS LIST
01.1 Page 1056W
Jul 01/04

FIG. & ITEM	PART NO.	AIRLINE PART NUMBER	NOMENCLATURE	EFF CODE	QTY PER ASSY
			1234567		
03-197	315T4717-1		.GASKET		1
198	315T4716-1		.BRACKET-(LH)	A,C,E ,G,J, L,N,Q ,S,U, W Y-AB, AG-AK ,AQ-A S,A W-AZ BD-BF ,BL,B N,BQ, BS,BU ,BW BY,CA ,CC,C E,CG, CJ,CL ,CN CQ,CS ,CU,C W,CY, DA,DC ,DE DG,DJ ,DL,D N,DQ, DS,DU ,DW DY,EA ,EC	1

78-31-15

 ILLUSTRATED PARTS LIST
 01.1 Page 1056X
 Jul 01/04



BOEING
COMPONENT
MAINTENANCE MANUAL

FIG. & ITEM	PART NO.	AIRLINE PART NUMBER	NOMENCLATURE 1234567	EFF CODE	QTY PER ASSY
03-199	315T4716-2		.BRACKET-(RH)	B,D,F ,H,K, M,P,R ,T,V, X AC-AF ,AL-A P,A T-AV, BA-BC BG,BJ ,BK,B M,BP, BR,BT ,BV BX,BZ ,CB,C D,CF, CH,CK ,CM CP,CR ,CT,C V,CX, CZ,DB ,DD DF,DH ,DK,D P,DR, DT,DV ,DX DZ,EB ,ED	1
200	4242300-1		.ADAPTER-MANUAL (V93835) (SPEC S315T360-7) (PRE SB 767-78-0060)		1
201	NAS6703U1		.BOLT		2
202	BACW10BP3ACU		.WASHER		2
203	TY1878-20		.LOCK ASSY-SYNCH SHAFT (VK0377) (SPEC S315N370-1) (OPT ITEM 203A) (POST SB 767-78-0060)		1

78-31-15

ILLUSTRATED PARTS LIST
01.1 Page 1056Y
Jul 01/04

FIG. & ITEM	PART NO.	AIRLINE PART NUMBER	NOMENCLATURE 1234567	EFF CODE	QTY PER ASSY
03- -203A	TY1878-21		.LOCK ASSY-SYNCH SHAFT (VK0377) (SPEC S315N370-2) (OPT ITEM 203) (POST SB 767-78-0060)		1
205	315T3631-9		.FITTING ASSY ATTACHING PARTS		6
210	BACB30LM4-2		DELETED		
210A	NAS6704-2		.BOLT -----*-----		6
215	315T3631-4		..PIN		1
220	315T3631-10		..PLATE		1
225	315T3633-26		.SHIM		6
230	2190000-15		.ACTUATOR-NONLOCKING (V93835) (SPEC S315T360-31) (USED ON ITEMS 1, 5) (PRE SB 767-78-0067)	A-D, A Q, AT, AW, BG , BL-B P, DA DD, DQ , DR, D W-ED	2
-230A	2190000-15		.ACTUATOR-NONLOCKING (REPLD BY ITEM 230C) (V93835) (SPEC S315T360-31) (USED ON ITEMS 1A, 5A) (PRE SB 767-78-0067)		2
-230B	S315T360-39		DELETED		
-230C	2190000-21		.ACTUATOR-NONLOCKING (REPLS ITEM 230A) (V93835) (SPEC S315T360-39) (USED ON ITEMS 1A, 5A) (PRE SB 767-78-0067)		2

78-31-15

BOEING
COMPONENT
MAINTENANCE MANUAL

FIG. & ITEM	PART NO.	AIRLINE PART NUMBER	NOMENCLATURE 1234567	EFF CODE	QTY PER ASSY
03- -230D	S315T360-47		.ACTUATOR-LOCKING (LIMITED) (OPT ITEM 230E) (USED ON ITEMS 1A, 5A) (POST SB 767-78-0067)		1
-230E	S315T360-51		.ACTUATOR-LOCKING (LIMITED) (OPT ITEM 230D) (USED ON ITEMS 1A, 5A) (POST SB 767-78-0067)		1
-230F	2190000-15		.ACTUATOR-NONLOCKING (REPLD BY ITEM 230C) (V93835) (SPEC S315T360-31) (USED ON ITEMS 1A, 5A) (POST SB 767-78-0067)		1
-230G	2190000-21		.ACTUATOR-NONLOCKING (REPLS ITEM 230A) (V93835) (SPEC S315T360-39) (USED ON ITEMS 1A, 5A) (POST SB 767-78-0067)		1
235	2190000-22		.ACTUATOR-LOCKING (V93835) (SPEC S315T360-34) (USED ON ITEMS 1, 5)	A-D, A Q, AT, AW, BG , BL-B P, DA DD, DQ , DR, D W-ED	1
-235A	2190000-22		.ACTUATOR-LOCKING (LIMITED) (V93835) (SPEC S315T360-34) (USED ON ITEMS 1A, 5A)		1
-235B	S315T360-41		DELETED		
-235C	2190000-26		.ACTUATOR-LOCKING (LIMITED) (V93835) (SPEC S315T360-41) (USED ON ITEMS 1A, 5A)		1

78-31-15

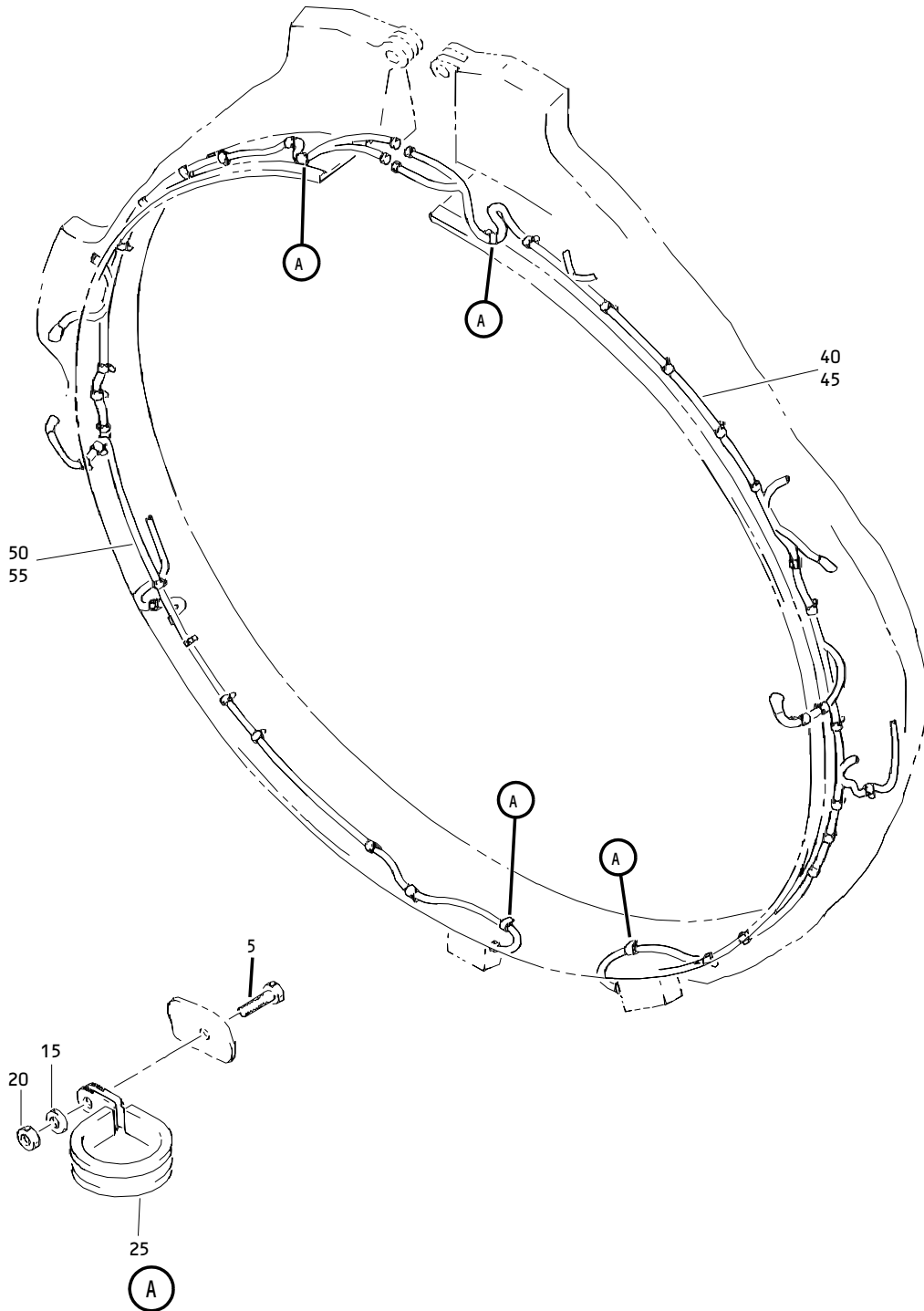
ILLUSTRATED PARTS LIST
01.1 Page 1057
Nov 01/05

FIG. & ITEM	PART NO.	AIRLINE PART NUMBER	NOMENCLATURE 1234567	EFF CODE	QTY PER ASSY
03-					
-235D	S315T360-44		DELETED		
-235E	2190000-34		.ACTUATOR-LOCKING (LIMITED) (V93835) (USED ON ITEMS 1A, 5A)		1
240	MS24665-153		.PIN-COTTER		3
245	BACB30LM5D20		.BOLT		3
250	AN960-516		.WASHER		6
255	BACN10JD105		DELETED		
255A	BACN10JD5		.NUT		3
260	BACB28AK05-030		.BUSHING		3
265	BACT11SH18F		.TAPE-HYDR OIL 3000 PSI		4
-270	NAS1801-3-5		.SCREW		1
-275	AN960C10L		.WASHER		2
-280	MS21042L3		.NUT		1
-285	BACC10EP12		.CLAMP		2

- Item Not Illustrated

78-31-15

 ILLUSTRATED PARTS LIST
 01.101 Page 1058
 Nov 01/05



Cowling and Thrust Reverser Wire Bundle Installation
Figure 4

78-31-15

ILLUSTRATED PARTS LIST
01.1 Page 1058B
Jul 01/04

 **BOEING**
COMPONENT
MAINTENANCE MANUAL

FIG. & ITEM	PART NO.	AIRLINE PART NUMBER	NOMENCLATURE 1234567	EFF CODE	QTY PER ASSY
04- -1	288T3199		WIRE BUNDLE INSTL-COWL AND THRUST REVERSER		RF
5	NAS1801-3		.SCREW- (SIZE DETERMINE ON INST)		23
15	AN960PD10L		.WASHER		23
20	H10-3BAC		.NUT- (V15653) (SPEC BACN10JC3) (OPT NS202101-02 (V80539)) (OPT RMLH9075-3W (V72962)) (OPT T6S1032J (V71087)) (OPT VN303A02 (V92215)) (OPT 96-02 (V80539)) (OPT BRH10A3 (V52828))		23

78-31-15

ILLUSTRATED PARTS LIST
01.1 Page 1058C
Jul 01/04

FIG. & ITEM	PART NO.	AIRLINE PART NUMBER	NOMENCLATURE	EFF CODE	QTY PER ASSY
			1234567		
04-25	BACC10GU		.CLAMP- (SIZE DETERMINE ON INST)		23
40	286T0326		.WIRE BUNDLE ASSY	A,C,E ,G,J, L,N,Q ,S,U, W Y-AB, AG-AK ,AQ-A S,A W-AZ BD-BF ,BL,B N,BQ, BS,BU ,BW BY,CA ,CC,C E,CG, CJ,CL ,CN CQ,CS ,CU,C W,CY, DA,DC ,DE DG,DJ ,DL,D N,DQ, DS,DU ,DW DY,EA ,EC	1

78-31-15

 ILLUSTRATED PARTS LIST
 01.1 Page 1058D
 Jul 01/04

 **BOEING**
COMPONENT
MAINTENANCE MANUAL

FIG. & ITEM	PART NO.	AIRLINE PART NUMBER	NOMENCLATURE	EFF CODE	QTY PER ASSY
04-45	286T0330		1234567 .WIRE BUNDLE ASSY	A,C,E ,G,J, L,N,Q ,S,U, W Y-AB, AG-AK ,AQ-A S,A W-AZ BD-BF ,BL,B N,BQ, BS,BU ,BW BY,CA ,CC,C E,CG, CJ,CL ,CN CQ,CS ,CU,C W,CY, DA,DC ,DE DG,DJ ,DL,D N,DQ, DS,DU ,DW DY,EA ,EC	1

78-31-15

ILLUSTRATED PARTS LIST
01.1 Page 1058E
Jul 01/04

FIG. & ITEM	PART NO.	AIRLINE PART NUMBER	NOMENCLATURE	EFF CODE	QTY PER ASSY
04-50	286T0328		1234567 .WIRE BUNDLE ASSY	B,D,F ,H,K, M,P,R ,T,V, X AC-AF ,AL-A P,A T-AV, BA-BC BG,BJ ,BK,B M,BP, BR,BT ,BV BX,BZ ,CB,C D,CF, CH,CK ,CM CP,CR ,CT,C V,CX, CZ,DB ,DD DF,DH ,DK,D M,DP, DR,DT ,DV DX,DZ ,EB, ED	1

78-31-15

ILLUSTRATED PARTS LIST
 01.1 Page 1058F
 Jul 01/04

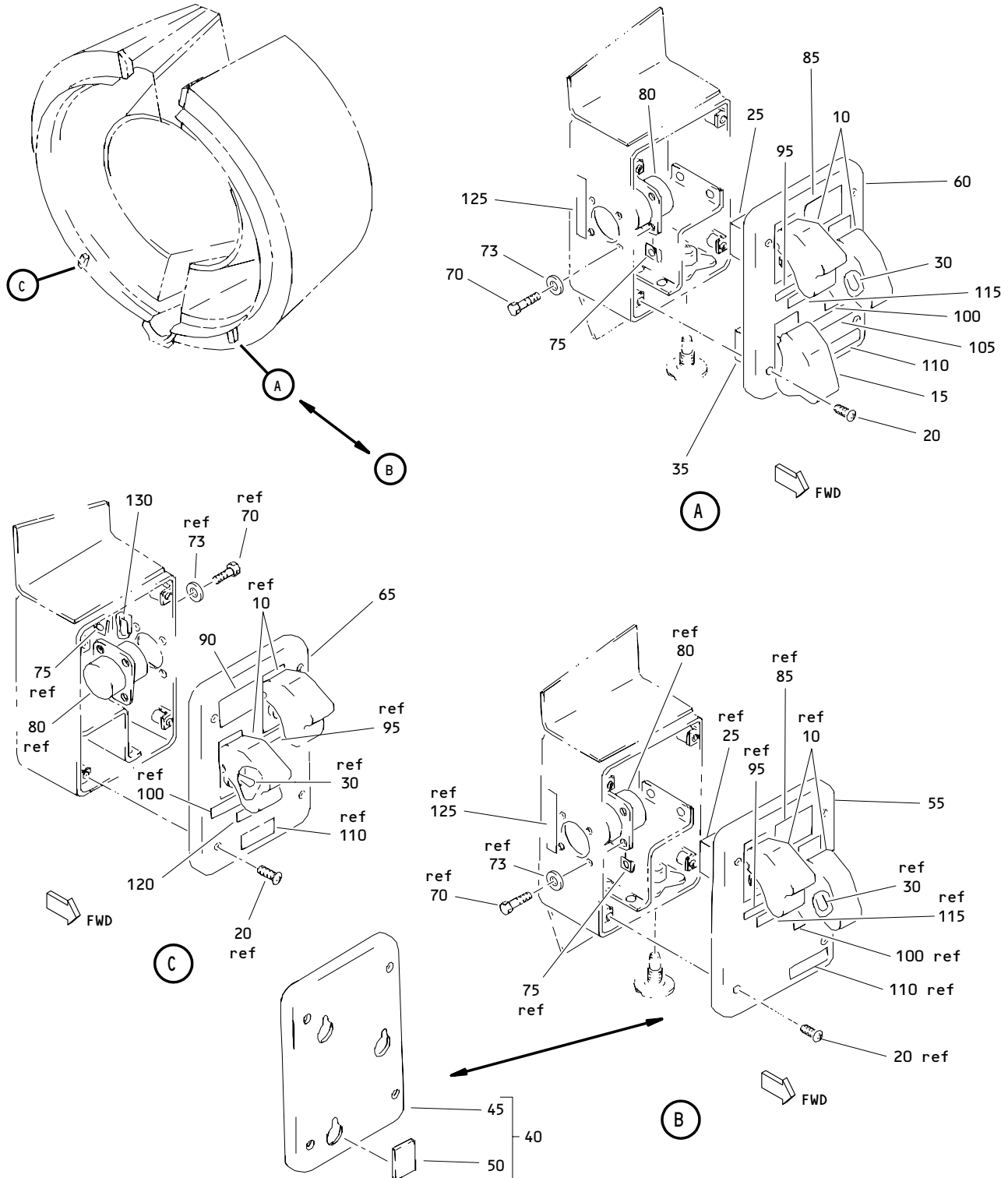
BOEING
COMPONENT
MAINTENANCE MANUAL

FIG. & ITEM	PART NO.	AIRLINE PART NUMBER	NOMENCLATURE	EFF CODE	QTY PER ASSY
04-55	286T0332		1234567 .WIRE BUNDLE ASSY	B,D,F ,H,K, M,P,R ,T,V, X AC-AF ,AL-A P,A T-AV, BA-BC BG,BJ ,BK,B M,BP, BR,BT ,BV BX,BZ ,CB,C D,CF, CH,CK ,CM CP,CR ,CT,C V,CX, CZ,DB ,DD DF,DH ,DK,D M,DP, DR,DT ,DV DX,DZ ,EB, ED	1

- Item Not Illustrated

78-31-15

ILLUSTRATED PARTS LIST
01.1 Page 1058G
Jul 01/04



Actuator and Override Switch Installation
 Figure 5

78-31-15

ILLUSTRATED PARTS LIST
 01.1 Page 1058H
 Jul 01/04

BOEING
COMPONENT
MAINTENANCE MANUAL

FIG. & ITEM	PART NO.	AIRLINE PART NUMBER	NOMENCLATURE 1234567	EFF CODE	QTY PER ASSY
05- -1	315T1655-1		SWITCH INSTL-ACTR AND OVERRIDE (PRE SB 767-78-8)	A,C,A Q,AW, BL,BN ,DA,D Q,DW DY,EA ,EC	RF
-1A	315T1655-3		SWITCH INSTL-ACTR AND OVERRIDE (PRE SB 767-78-8)	A,C,E ,G,J, L,N,A Q-AS, AW-AZ BD,BE ,BL,B N,BQ, BS,BU ,BW BY,DA ,DC,D E,DJ, DL,DN ,DQ DS,DU ,DW,D Y,EA, EC	RF
-5	315T1655-2		SWITCH INSTL-ACTR AND OVERRIDE	B,D,F ,H,K, M,P,A T-AV, BA,BB BG-BK ,BM,B P,BR, BT,BV ,BX BZ,DB ,DD,D H,DK, DM,DP ,DR DT,DV ,DX,D Z,EB, ED	RF

78-31-15

ILLUSTRATED PARTS LIST
01.1 Page 1058I
Jul 01/04

FIG. & ITEM	PART NO.	AIRLINE PART NUMBER	NOMENCLATURE 1234567	EFF CODE	QTY PER ASSY
05-10	MS25224-3		. GUARD	A-P, A Q-BB, BD, BE , BG-D E DH-ED	2
15	MS25224-3		. GUARD- (USED ON ITEM 1)	A, C, A Q, AW, BL, BN , DA, D Q, DW DY, EA , EC	1
20	AN525-10R6		. SCREW	A-P, A Q-BB, BD, BE , BG-D E DH-ED	4
25	65408		. SWITCH-TG (V02005)	A-P, A Q-BB, BD, BE , BG-D E DH-ED	1
30	65407		. SWITCH-TG (V02005)	A-P, A Q-BB, BD, BE , BG-D E DH-ED	1
35	65407		. SWITCH-TG (V02005) (USED ON ITEM 1)	A, C, A Q, AW, BL, BN , DA, D Q, DW DY, EA , EC	1

78-31-15

 ILLUSTRATED PARTS LIST
 01.1 Page 1058J
 Jul 01/04

BOEING
COMPONENT
MAINTENANCE MANUAL

FIG. & ITEM	PART NO.	AIRLINE PART NUMBER	NOMENCLATURE	EFF CODE	QTY PER ASSY
05-40	315T3656-19		1234567 .COVER ASSY- (OPT ITEM 55) (USED ON ITEM 1A) (PRE SB 767-78-26)	A,C,E ,G,J, L,N,A Q-AS, AW-AZ BD,BE ,BL,B N,BQ, BS,BU ,BW BY,DA ,DC,D E,DJ, DL,DN ,DQ DS,DU ,DW,D Y,EA, EC	1
45	315T3656-9		..COVER- (POST SB 767-78-26)	A,C,E ,G,J, L,N,A Q-AS, AW-AZ BD,BE ,BL,B N,BQ, BS,BU ,BW BY,DA ,DC,D E,DJ, DL,DN ,DQ DS,DU ,DW,D Y,EA, EC	1

78-31-15

ILLUSTRATED PARTS LIST
01.1 Page 1058K
Jul 01/04

FIG. & ITEM	PART NO.	AIRLINE PART NUMBER	NOMENCLATURE	EFF CODE	QTY PER ASSY
05-50	315T3656-18		1234567 ..COVER	A,C,E ,G,J, L,N,A Q-AS, AW-AZ BD,BE ,BL,B N,BQ, BS,BU ,BW BY,DA ,DC,D E,DJ, DL,DN ,DQ DS,DU ,DW,D Y,EA, EC	1
55	315T3656-17		.COVER- (OPT ITEM 40) (USED ON ITEM 1A) (PRE SB 767-78-26)	A,C,E ,G,J, L,N,A Q-AS, AW-AZ BD,BE ,BL,B N,BQ, BS,BU ,BW BY,DA ,DC,D E,DJ, DL,DN ,DQ DS,DU ,DW,D Y,EA, EC	1

78-31-15

 ILLUSTRATED PARTS LIST
 01.1 Page 1058L
 Jul 01/04

 **BOEING**
COMPONENT
MAINTENANCE MANUAL

FIG. & ITEM	PART NO.	AIRLINE PART NUMBER	NOMENCLATURE	EFF CODE	QTY PER ASSY
05-60	315T3656-9		.COVER- (USED ON ITEM 1) (POST SB 767-78-26)	A,C,A Q,AW, BL,BN ,DA,D Q,DW DY,EA ,EC	1
65	315T3656-10		.COVER	B,D,F ,H,K, M,P,A T-AV, BA,BB BG-BK ,BM,B P,BR, BT,BV ,BX BZ,DB ,DD,D H,DK, DM,DP ,DR DT,DV ,DX,D Z,EB, ED	1
70	NAS1801-04-5		.SCREW	A-P,A Q-BB, BD,BE ,BG-D E DH-ED	4

78-31-15

ILLUSTRATED PARTS LIST
01.1 Page 1058M
Jul 01/04

FIG. & ITEM	PART NO.	AIRLINE PART NUMBER	NOMENCLATURE 1234567	EFF CODE	QTY PER ASSY
05-73	AN960XC4L		.WASHER	A-P,A Q-BB, BD,BE ,BG-D E DH-ED	4
75	132003		.NUT- (V60119) (SPEC BACN10XP1) (OPT 132003 (V76530))	A-P,A Q-BB, BD,BE ,BG-D E DH-ED	4
80	R071914-7P		.CONNECTOR- (V41118) (SPEC BACC45FM14-7P) (OPT C48-00R14-7P102 (V13556)) (OPT ZZYAC1714-7P (V49367)) (OPT 48-00R14-7P300 (V02660))	A-P,A Q-BB, BD,BE ,BG-D E DH-ED	1
85	BAC27TTR0001		.MARKER-ALUMINUM FOIL- LH COWL (POST SB 767-78-26)	A,C,E ,G,J, L,N,A Q-AS, AW-AZ BD,BE ,BL,B N,BQ, BS,BU ,BW BY,DA ,DC,D E,DJ, DL,DN ,DQ DS,DU ,DW,D Y,EA, EC	1

78-31-15

 ILLUSTRATED PARTS LIST
 01.1 Page 1058N
 Jul 01/04

BOEING
COMPONENT
MAINTENANCE MANUAL

FIG. & ITEM	PART NO.	AIRLINE PART NUMBER	NOMENCLATURE 1234567	EFF CODE	QTY PER ASSY
05-90	BAC27TTR0002		.MARKER-ALUMINUM FOIL- RH COWL	B,D,F ,H,K, M,P,A T-AV, BA,BB BG-BK ,BM,B P,BR, BT,BV ,BX BZ,DB ,DD,D H,DK, DM,DP ,DR DT,DV ,DX,D Z,EB, ED	1
95	BAC27TTR0003		.MARKER-ALUMINUM FOIL- OPEN (POST SB 767-78-26)	A-P,A Q-BB, BD,BE ,BG-D E DH-ED	1
100	BAC27TTR0004		.MARKER-ALUMINUM FOIL- CLOSE (POST SB 767-78-26)	A-P,A Q-BB, BD,BE ,BG-D E DH-ED	1
105	BAC27TTR0005		.MARKER-ALUMINUM FOIL- T/R O/RIDE (USED ON ITEM 1) (POST SB 767-78-26)	A,C,A Q,AW, BL,BN ,DA,D Q,DW DY,EA ,EC	1
110	BAC27TTR0006		.MARKER-ALUMINUM FOIL- PIN STORAGE (POST SB 767-78-26)	A-P,A Q-BB, BD,BE ,BG-D E DH-ED	1

78-31-15

ILLUSTRATED PARTS LIST
01.1 Page 10580
Jul 01/04

FIG. & ITEM	PART NO.	AIRLINE PART NUMBER	NOMENCLATURE	EFF CODE	QTY PER ASSY
05-115	BAC27TTR0008		.MARKER-ALUMINUM FOIL-M580 (POST SB 767-78-26)	A,C,E ,G,J, L,N,A Q-AS, AW-AZ BD,BE ,BL,B N,BQ, BS,BU ,BW BY,DA ,DC,D E,DJ, DL,DN ,DQ DS,DU ,DW,D Y,EA, EC	1
120	BAC27TTR0009		.MARKER-ALUMINUM FOIL-M581	B,D,F ,H,K, M,P,A T-AV, BA,BB BG-BK ,BM,B P,BR, BT,BV ,BX BZ,DB ,DD,D H,DK, DM,DP ,DR DT,DV ,DX,D Z,EB, ED	1

78-31-15

 ILLUSTRATED PARTS LIST
 01.1 Page 1058P
 Jul 01/04

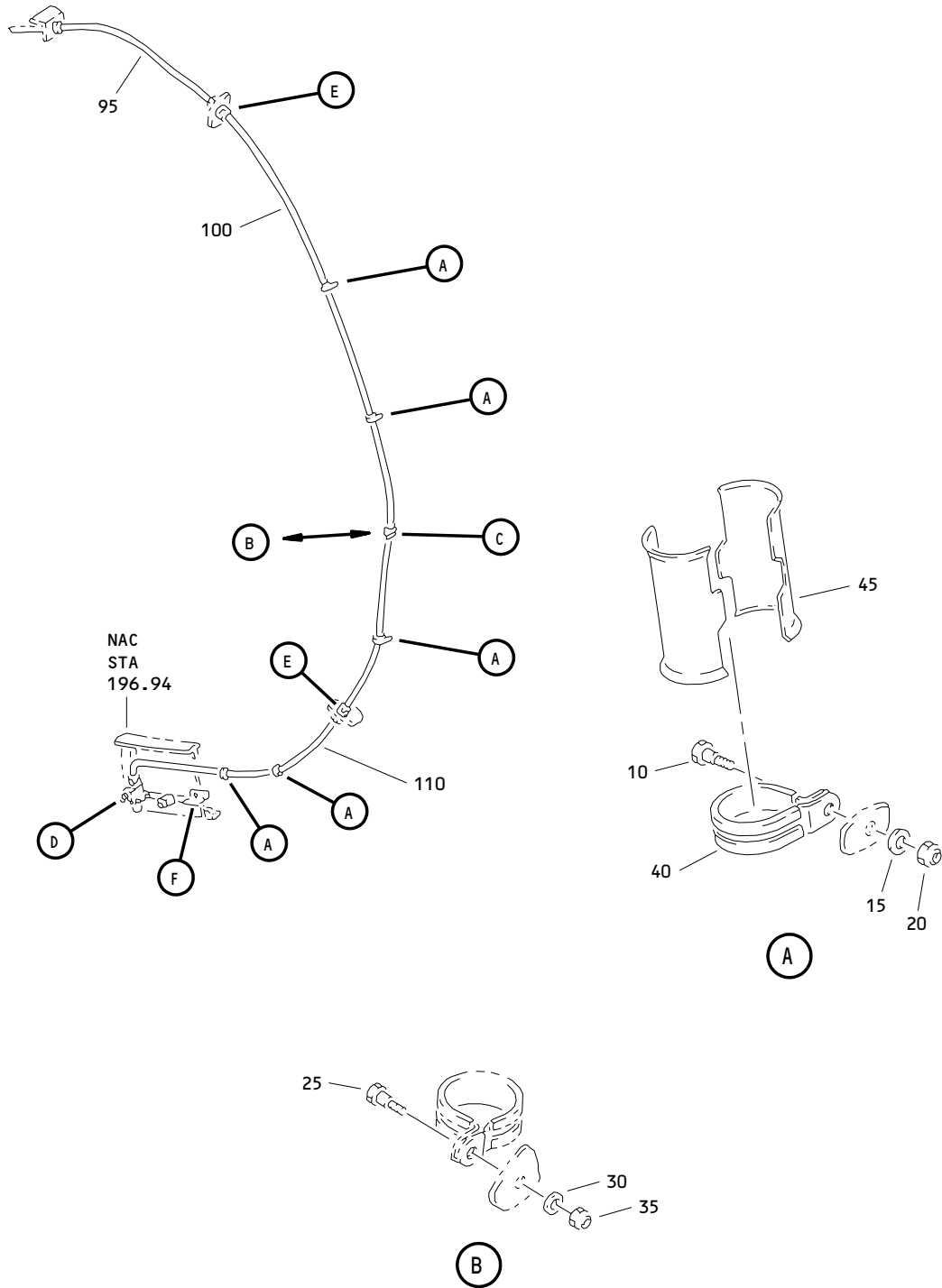
 **BOEING**
COMPONENT
MAINTENANCE MANUAL

FIG. & ITEM	PART NO.	AIRLINE PART NUMBER	NOMENCLATURE	EFF CODE	QTY PER ASSY
05-125	BAC27TTR0012		1234567 .MARKER-ALUMINUM FOIL- M/WD164	A,C,E ,G,J, L,N,A Q-AS, AW-AZ BD,BE ,BL,B N,BQ, BS,BU ,BW BY,DA ,DC,D E,DJ, DL,DN ,DQ DS,DU ,DW,D Y,EA, EC	1
130	BAC27TTR0013		.MARKER-ALUMINUM FOIL- M/WD166	B,D,F ,H,K, M,P,A T-AV, BA,BB BG-BK ,BM,B P,BR, BT,BV ,BX BZ,DB ,DD,D H,DK, DM,DP ,DR DT,DV ,DX,D Z,EB, ED	1

- Item Not Illustrated

78-31-15

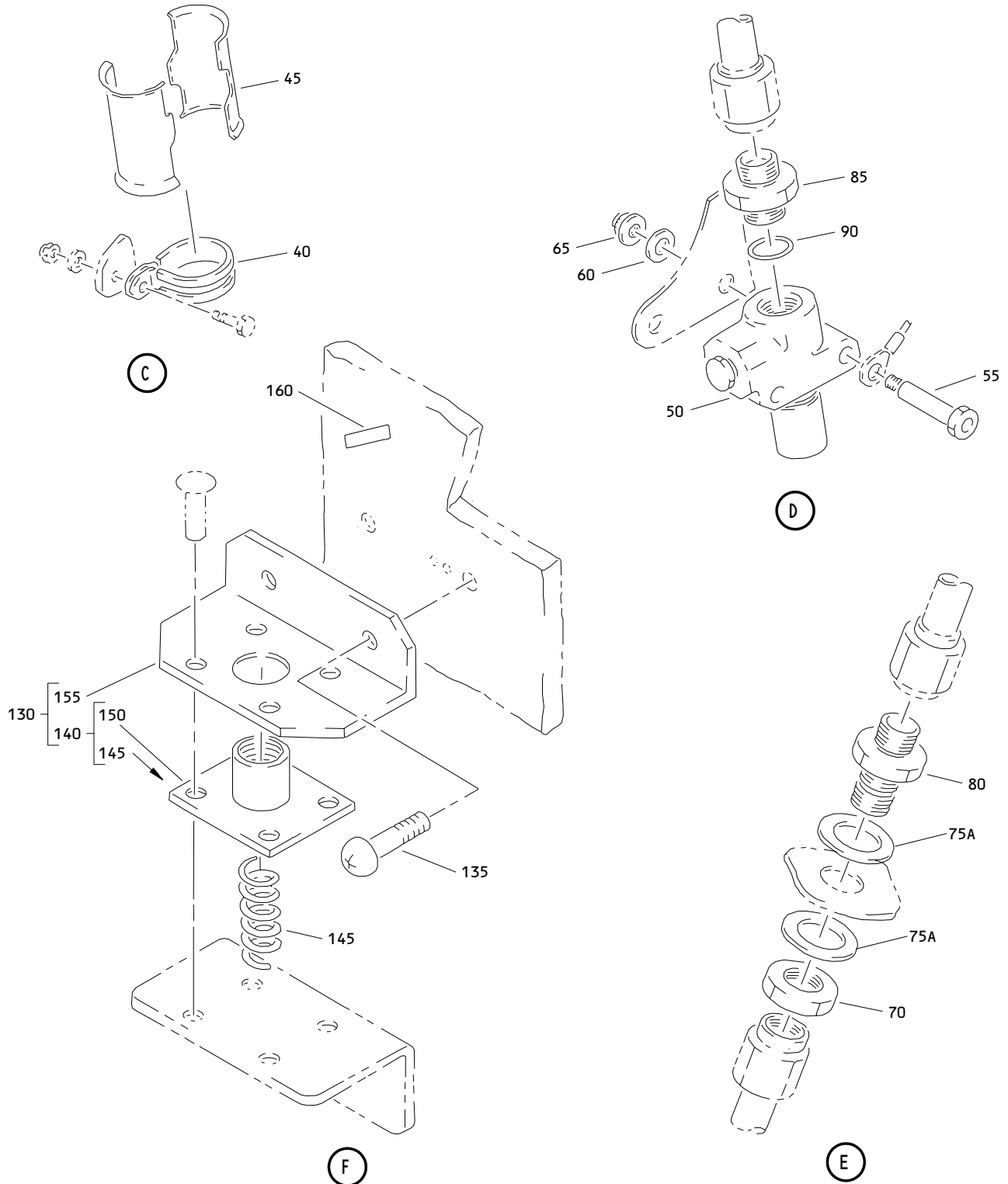
ILLUSTRATED PARTS LIST
01.1 Page 1058Q
Jul 01/04



Opening Actuator Tubing Installation
Figure 6 (Sheet 1)

78-31-15

ILLUSTRATED PARTS LIST
01.1 Page 1058S
Jul 01/04



Opening Actuator Tubing Installation
 Figure 6 (Sheet 2)

78-31-15

ILLUSTRATED PARTS LIST
 01.1 Page 1058T
 Jul 01/04

 **BOEING**
COMPONENT
MAINTENANCE MANUAL

FIG. & ITEM	PART NO.	AIRLINE PART NUMBER	NOMENCLATURE 1234567	EFF CODE	QTY PER ASSY
06- -1	315T1657-1		TUBING INSTL-OPENING ACTR	Q,S,Y ,Z,AG ,AH,B F,CA, CC,CJ CL,CN ,CQ,D G	RF
-5	315T1657-2		TUBING INSTL-OPENING ACTR	R,T,A C,AD, AL,AM ,BC, CB,CD CK,CM ,CP,C R,DF	RF
-7	315T1657-5001		.TUBING INSTL- (REPLD BY ITEM 7A)	Q,S,Y ,Z,AG ,AH,B F,CA, CC,CJ CL,CN ,CQ,D G	1
-7A	315T1657-5003		.TUBING INSTL- (REPLS ITEM 7)	Q,S,Y ,Z,AG ,AH,B F,CA, CC,CJ CL,CN ,CQ,D G	1

78-31-15

ILLUSTRATED PARTS LIST
01.1 Page 1058U
Jul 01/04

FIG. & ITEM	PART NO.	AIRLINE PART NUMBER	NOMENCLATURE 1234567	EFF CODE	QTY PER ASSY
06-8	315T1657-5002		.TUBING INSTL- (REPLD BY ITEM 8A)	R,T,A C,AD, AL,AM ,BC, CB,CD CK,CM ,CP,C R,DF	1
-8A	315T1657-5004		.TUBING INSTL- (REPLS ITEM 8)	R,T,A C,AD, AL,AM ,BC, CB,CD CK,CM ,CP,C R,DF	1
10	NAS6703-3		..BOLT	Q-T,Y ,Z,AC ,AD,A G,AH, AL,AM BC,BF ,CA-C D,C J-CR, DF,DG	5
15	AN960C10L		..WASHER	Q-T,Y ,Z,AC ,AD,A G,AH, AL,AM BC,BF ,CA-C D,C J-CR, DF,DG	5

78-31-15

 ILLUSTRATED PARTS LIST
 01.1 Page 1058V
 Jul 01/04

BOEING
COMPONENT
MAINTENANCE MANUAL

FIG. & ITEM	PART NO.	AIRLINE PART NUMBER	NOMENCLATURE	EFF CODE	QTY PER ASSY
06-20	H10-3BAC		1234567 ..NUT- (V15653) (SPEC BACN10JC3) (OPT NS202101-02 (V80539)) (OPT RMLH9075-3W (V72962)) (OPT T6S1032J (V71087)) (OPT VN303A02 (V92215)) (OPT 96-02 (V80539)) (OPT BRH10A3 (V52828))	Q-T,Y ,Z,AC ,AD,A G,AH, AL,AM BC,BF ,CA-C D,C J-CR, DF,DG	5
25	NAS6703-3		..BOLT	R,T,A C,AD, AL,AM ,BC, CB,CD CK,CM ,CP,C R,DF	1
30	AN960C10L		..WASHER	R,T,A C,AD, AL,AM ,BC, CB,CD CK,CM ,CP,C R,DF	1

78-31-15

ILLUSTRATED PARTS LIST
01.1 Page 1058W
Jul 01/04

FIG. & ITEM	PART NO.	AIRLINE PART NUMBER	NOMENCLATURE	EFF CODE	QTY PER ASSY
06-35	H10-3BAC		1234567 ..NUT- (V15653) (SPEC BACN10JC3) (OPT NS202101-02 (V80539)) (OPT RMLH9075-3W (V72962)) (OPT T6S1032J (V71087)) (OPT VN303A02 (V92215)) (OPT 96-02 (V80539)) (OPT BRH10A3 (V52828))	R,T,A C,AD, AL,AM ,BC, CB,CD CK,CM ,CP,C R,DF	1
40	JM44LC13WS4R		..CLAMP- (V22175) (SPEC BACC10GE4) (OPT S369WH4 (V18076)) (OPT TA12C32WS4 (V84971)) (OPT 509S4 (V83930))	Q-T,Y ,Z,AC ,AD,A G,AH, AL,AM BC,BF ,CA-C D,C J-CR, DF,DG	6
45	BACC10GT2-04P		..CLAMPSHELL	Q-T,Y ,Z,AC ,AD,A G,AH, AL,AM BC,BF ,CA-C D,C J-CR, DF,DG	6

78-31-15

 ILLUSTRATED PARTS LIST
 01.1 Page 1058X
 Jul 01/04

 **BOEING**
COMPONENT
MAINTENANCE MANUAL

FIG. & ITEM	PART NO.	AIRLINE PART NUMBER	NOMENCLATURE 1234567	EFF CODE	QTY PER ASSY
06-50	0111153-007		..MANIFOLD ASSY- (V98391) (USED ON ITEMS 7, 8)	Q-T,Y ,Z,AC ,AD,A G,AH, AL,AM BC,BF ,CA-C D,C J-CR, DF,DG	1
-50A	0111153-007		..MANIFOLD ASSY- (V98391) (OPT ITEM 50B) (USED ON ITEMS 7A, 8A)	Q-T,Y ,Z,AC ,AD,A G,AH, AL,AM BC,BF ,CA-C D,C J-CR, DF,DG	1
-50B	0111153-010		..MANIFOLD ASSY- (V98391) (OPT ITEM 50A) (USED ON ITEMS 7A, 8A)	Q-T,Y ,Z,AC ,AD,A G,AH, AL,AM BC,BF ,CA-C D,C J-CR, DF,DG	1
			ATTACHING PARTS		

78-31-15

ILLUSTRATED PARTS LIST
01.1 Page 1058Y
Jul 01/04

FIG. & ITEM	PART NO.	AIRLINE PART NUMBER	NOMENCLATURE	EFF CODE	QTY PER ASSY
06-55	BACB30NM4K17		1234567 ..BOLT	Q-T,Y ,Z,AC ,AD,A ,G,AH ,AL,AM ,BC,BF ,CA-C ,D,C ,J-CR ,DF,DG	2
60	AN960C416		..WASHER	Q-T,Y ,Z,AC ,AD,A ,G,AH ,AL,AM ,BC,BF ,CA-C ,D,C ,J-CR ,DF,DG	2
65	NAS1804-4		..NUT	Q-T,Y ,Z,AC ,AD,A ,G,AH ,AL,AM ,BC,BF ,CA-C ,D,C ,J-CR ,DF,DG	2
70	AN924-4J		-----*----- ..NUT	Q-T,Y ,Z,AC ,AD,A ,G,AH ,AL,AM ,BC,BF ,CA-C ,D,C ,J-CR ,DF,DG	2

78-31-15

 ILLUSTRATED PARTS LIST
 01.1 Page 1058Z
 Jul 01/04

BOEING
COMPONENT
MAINTENANCE MANUAL

FIG. & ITEM	PART NO.	AIRLINE PART NUMBER	NOMENCLATURE 1234567	EFF CODE	QTY PER ASSY
06- 75 75A	AN960C716 AN960-716		DELETED ..WASHER	Q-T,Y ,Z,AC ,AD,A G,AH, AL,AM BC,BF ,CA-C D,C J-CR, DF,DG	4
80	MS21924J4		..UNION	Q-T,Y ,Z,AC ,AD,A G,AH, AL,AM BC,BF ,CA-C D,C J-CR, DF,DG	2
85	MS21902J4		..UNION	Q-T,Y ,Z,AC ,AD,A G,AH, AL,AM BC,BF ,CA-C D,C J-CR, DF,DG	1
90	M83248-1-012		..PACKING	Q-T,Y ,Z,AC ,AD,A G,AH, AL,AM BC,BF ,CA-C D,C J-CR, DF,DG	1

78-31-15

FIG. & ITEM	PART NO.	AIRLINE PART NUMBER	NOMENCLATURE 1234567	EFF CODE	QTY PER ASSY
06-95	95860M0140AAN		..HOSE- (V78570) (SPEC BACH6M0140AAN) (OPT AS119E0140AAN (V00624)) (OPT R8947M0140AAN (V06851)) (OPT R8947M0140AAN (V50599)) (OPT R8963M0140AAN (V06851)) (OPT R8963M0140AAN (V50599)) (OPT R8992M0140AAN (V50599)) (OPT B462M0140N (V98441))	Q-T,Y ,Z,AC ,AD,A G,AH, AL,AM BC,BF ,CA-C D,C J-CR, DF,DG	1
100	315T1657-5		..TUBE ASSY- (MFD FROM TUBING CRES 21-6-9 BMS7-185 0.250 IN. OD 0.016 IN. WALL 75.0 IN. LG)	Q,S,Y ,Z,AG ,AH,B F,CA, CC,CJ CL,CN ,CQ,D G	1
-105	315T1657-6		..TUBE ASSY- (MFD FROM TUBING CRES 21-6-9 BMS7-185 0.250 IN. OD 0.016 IN. WALL 75.0 IN. LG)	R,T,A C,AD, AL,AM ,BC, CB,CD CK,CM ,CP,C R,DF	1

78-31-15

 ILLUSTRATED PARTS LIST
 01.1 Page 1060
 Jul 01/04

 **BOEING**
COMPONENT
MAINTENANCE MANUAL

FIG. & ITEM	PART NO.	AIRLINE PART NUMBER	NOMENCLATURE	EFF CODE	QTY PER ASSY
06-110	315T1657-3		1234567 ..TUBE ASSY- (MFD FROM TUBING CRES 21-6-9 BMS7-185 0.250 IN. OD 0.016 IN. WALL 41.0 IN. LG)	Q,S,Y ,Z,AG ,AH,B F,CA, CC,CJ CL,CN ,CQ,D G	1
-115	315T1657-4		..TUBE ASSY- (MFD FROM TUBING CRES 21-6-9 BMS7-185 0.250 IN. OD 0.016 IN. WALL 41.0 IN. LG)	R,T,A C,AD, AL,AM ,BC, CB,CD CK,CM ,CP,C R,DF	1
-120	DB0S13BX04H		...SLEEVE- (V14798) (SPEC BACS13BX04H) (OPT 2-02903-04H (V11328)) (OPT 35235V04 (V08199)) (OPT AP2097-04H (V01673)) (OPT AFP175V04 (V30974))	Q-T,Y ,Z,AC ,AD,A G,AH, AL,AM BC,BF ,CA-C D,C J-CR, DF,DG	2
-125	MS21921-4J		...NUT	Q-T,Y ,Z,AC ,AD,A G,AH, AL,AM BC,BF ,CA-C D,C J-CR, DF,DG	2

78-31-15

ILLUSTRATED PARTS LIST
01.1 Page 1060A
Jul 01/04

FIG. & ITEM	PART NO.	AIRLINE PART NUMBER	NOMENCLATURE 1234567	EFF CODE	QTY PER ASSY
06-130	315T3154-31		..BRACKET ASSY- (USED ON ITEMS 7A, 8A)	Q-T,Y ,Z,AC ,AD,A ,G,AH, AL,AM BC,BF ,CA-C D,C J-CR, DF,DG	1
135	BACB30LK3-3		ATTACHING PARTS ..BOLT	Q-T,Y ,Z,AC ,AD,A ,G,AH, AL,AM BC,BF ,CA-C D,C J-CR, DF,DG	2
140	315T3245-1		-----*----- ...RETAINER ASSY	Q-T,Y ,Z,AC ,AD,A ,G,AH, AL,AM BC,BF ,CA-C D,C J-CR, DF,DG	1

78-31-15

 ILLUSTRATED PARTS LIST
 01.1 Page 1060B
 Jul 01/04

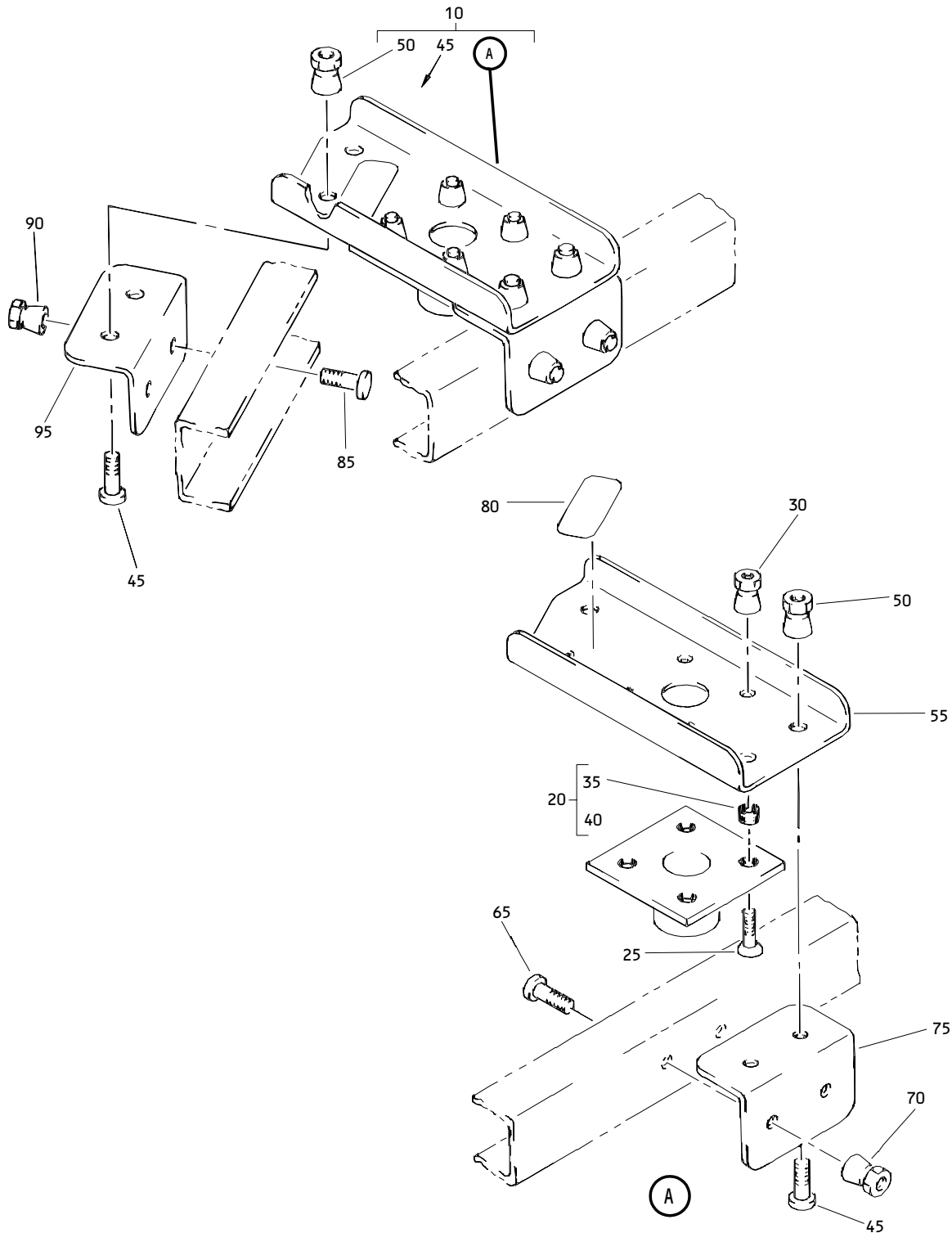
BOEING
COMPONENT
MAINTENANCE MANUAL

FIG. & ITEM	PART NO.	AIRLINE PART NUMBER	NOMENCLATURE 1234567	EFF CODE	QTY PER ASSY
06-145	MS21209F8-10	INSERT	Q-T,Y ,Z,AC ,AD,A G,AH, AL,AM BC,BF ,CA-C D,C J-CR, DF,DG	1
150	315T3245-2	RETAINER	Q-T,Y ,Z,AC ,AD,A G,AH, AL,AM BC,BF ,CA-C D,C J-CR, DF,DG	1
155	315T3202-114		...ANGLE	Q-T,Y ,Z,AC ,AD,A G,AH, AL,AM BC,BF ,CA-C D,C J-CR, DF,DG	1
160	BAC27TTR0006		..MARKER-ALUMINUM FOIL- PIN STORAGE (USED ON ITEMS 7A, 8A)	Q-T,Y ,Z,AC ,AD,A G,AH, AL,AM BC,BF ,CA-C D,C J-CR, DF,DG	1

- Item Not Illustrated

78-31-15

ILLUSTRATED PARTS LIST
01.1 Page 1060C
Jul 01/04



Deactivation Pin Storage Bracket Installation
 Figure 7

78-31-15

ILLUSTRATED PARTS LIST
 01.1 Page 1060D
 Jul 01/04

 **BOEING**
COMPONENT
MAINTENANCE MANUAL

FIG. & ITEM	PART NO.	AIRLINE PART NUMBER	NOMENCLATURE	EFF CODE	QTY PER ASSY
07- -1	315T3156-3		1234567 BRACKET INSTL-DEACTIVATION PIN STOWAGE	G,N,Q ,S,U, W,Y-A B,A G-AK AZ,BD ,BF,B W,BY, CA,CC ,CE CG,CJ ,CL,C N,CQ, CS,CU ,CW CY,DC ,DG,D N	RF
-5	315T3156-4		BRACKET INSTL-DEACTIVATION PIN STOWAGE	F,P,R ,T,V, X,A C-AF, AL-AP BA,BC ,BK,B V,BZ, CB,CD ,CF CH,CK ,CM,C P,CR, CT,CV ,CX CZ,DB ,DF,D P	RF

78-31-15

ILLUSTRATED PARTS LIST
01.1 Page 1060E
Jul 01/04

FIG. & ITEM	PART NO.	AIRLINE PART NUMBER	NOMENCLATURE	EFF CODE	QTY PER ASSY
07-10	315T3156-9		.BRACKET ASSY	G,N,Q ,S,U, W,Y-A B,A G-AK AZ,BD ,BF,B W,BY, CA,CC ,CE CG,CJ ,CL,C N,CQ, CS,CU ,CW CY,DC ,DG,D N	1
-15	315T3156-10		.BRACKET ASSY	F,P,R ,T,V, X,A C-AF, AL-AP BA,BC ,BK,B V,BZ, CB,CD ,CF CH,CK ,CM,C P,CR, CT,CV ,CX CZ,DB ,DF,D P	1

78-31-15

 ILLUSTRATED PARTS LIST
 01.1 Page 1060F
 Jul 01/04

 **BOEING**
COMPONENT
MAINTENANCE MANUAL

FIG. & ITEM	PART NO.	AIRLINE PART NUMBER	NOMENCLATURE 1234567	EFF CODE	QTY PER ASSY
07-20	315T3245-1		..RETAINER ASSY	F,G, N-AP, AZ,BA ,BC,B D,BF BK,BV ,BW,B Y-CZ, DB,DC ,DF DG,DN ,DP	1
25	HL11VAZ5-3		ATTACHING PARTS ..BOLT- (V60516) (SPEC BACB30NW5K3) (OPT B30NW5K3 (V97928)) (OPT HL11VAZ5-3 (V73197)) (OPT HL11VAZ5-3 (V92215)) (OPT HL11VAZ5-3 (V97928)) (OPT L803-5K3 (V06725)) (OPT HL11VAZ5-3 (V0PTK6)) (OPT HL11VAZ5-3 (V56878))	F,G, N-AP, AZ,BA ,BC,B D,BF BK,BV ,BW,B Y-CZ, DB,DC ,DF DG,DN ,DP	4

78-31-15

ILLUSTRATED PARTS LIST
01.1 Page 1060G
Jul 01/04

FIG. & ITEM	PART NO.	AIRLINE PART NUMBER	NOMENCLATURE	EFF CODE	QTY PER ASSY
07-30	HL70-5		1234567 ..COLLAR- (V5M902) (SPEC BACC30M5) (OPT HL70-5 (V73197)) (OPT HL70-5 (V92215)) (OPT 66014-5 (V56878)) (OPT HL70-5 (V56878))	F,G, N-AP, AZ,BA ,BC,B D,BF BK,BV ,BW,B Y-CZ, DB,DC ,DF DG,DN ,DP	4
35	MS21209F8-10		-----*----- ...INSERT	F,G, N-AP, AZ,BA ,BC,B D,BF BK,BV ,BW,B Y-CZ, DB,DC ,DF DG,DN ,DP	4
40	315T3245-2		...RETAINER	F,G, N-AP, AZ,BA ,BC,B D,BF BK,BV ,BW,B Y-CZ, DB,DC ,DF DG,DN ,DP	1

78-31-15

 ILLUSTRATED PARTS LIST
 01.1 Page 1060H
 Jul 01/04

FIG. & ITEM	PART NO.	AIRLINE PART NUMBER	NOMENCLATURE 1234567	EFF CODE	QTY PER ASSY
07-45	HL10VAZ6-3		..BOLT- (V60516) (SPEC BACB30MY6K3) (OPT B30MY6K3 (V97928))	F,G, N-AP, AZ,BA ,BC,B D,BF BK,BV ,BW,B Y-CZ, DB,DC ,DF DG,DN ,DP	4
50	HL79-6		..COLLAR- (V5M902) (SPEC BACC30M6) (OPT HL79-6 (V73197)) (OPT HL79-6 (V92215)) (OPT 66014-6 (V56878)) (OPT HL79-6 (V56878))	F,G, N-AP, AZ,BA ,BC,B D,BF BK,BV ,BW,B Y-CZ, DB,DC ,DF DG,DN ,DP	4
55	315T3156-11		..CHANNEL	G,N,Q ,S,U, W,Y-A B,A G-AK, AZ BD,BF ,BW,B Y,CA, CC,CE ,CG CJ,CL ,CN,C Q,CS, CU,CW ,CY DC,DG ,DN	1

78-31-15

ILLUSTRATED PARTS LIST
01.1 Page 1060I
Jul 01/04

FIG. & ITEM	PART NO.	AIRLINE PART NUMBER	NOMENCLATURE	EFF CODE	QTY PER ASSY
07-60	315T3156-12		1234567 ..CHANNEL	F,P,R ,T,V, X,A C-AF, AL-AP BA,BC ,BK,B V,BZ, CB,CD ,CF CH,CK ,CM,C P,CR, CT,CV ,CX CZ,DB ,DF,D P	1
65	HL10VAZ6-3		..BOLT- (V60516) (SPEC BACB30MY6K3) (OPT B30MY6K3 (V97928))	F,G, N-AP, AZ,BA ,BC,B D,BF BK,BV ,BW,B Y-CZ, DB,DC ,DF DG,DN ,DP	2

78-31-15

 ILLUSTRATED PARTS LIST
 01.1 Page 1060J
 Jul 01/04

 **BOEING**
COMPONENT
MAINTENANCE MANUAL

FIG. & ITEM	PART NO.	AIRLINE PART NUMBER	NOMENCLATURE	EFF CODE	QTY PER ASSY
07-70	HL79-6		1234567 ..COLLAR- (V5M902) (SPEC BACC30M6) (OPT HL79-6 (V73197)) (OPT HL79-6 (V92215)) (OPT 66014-6 (V56878)) (OPT HL79-6 (V56878))	F,G, N-AP, AZ,BA ,BC,B D,BF BK,BV ,BW,B Y-CZ, DB,DC ,DF DG,DN ,DP	2
75	315T3156-15		..ANGLE	F,G, N-AP, AZ,BA ,BC,B D,BF BK,BV ,BW,B Y-CZ, DB,DC ,DF DG,DN ,DP	1
80	BAC27TTR0006		..MARKER-ALUMINUM FOIL- PIN STORAGE	F,G, N-AP, AZ,BA ,BC,B D,BF BK,BV ,BW,B Y-CZ, DB,DC ,DF DG,DN ,DP	1

78-31-15

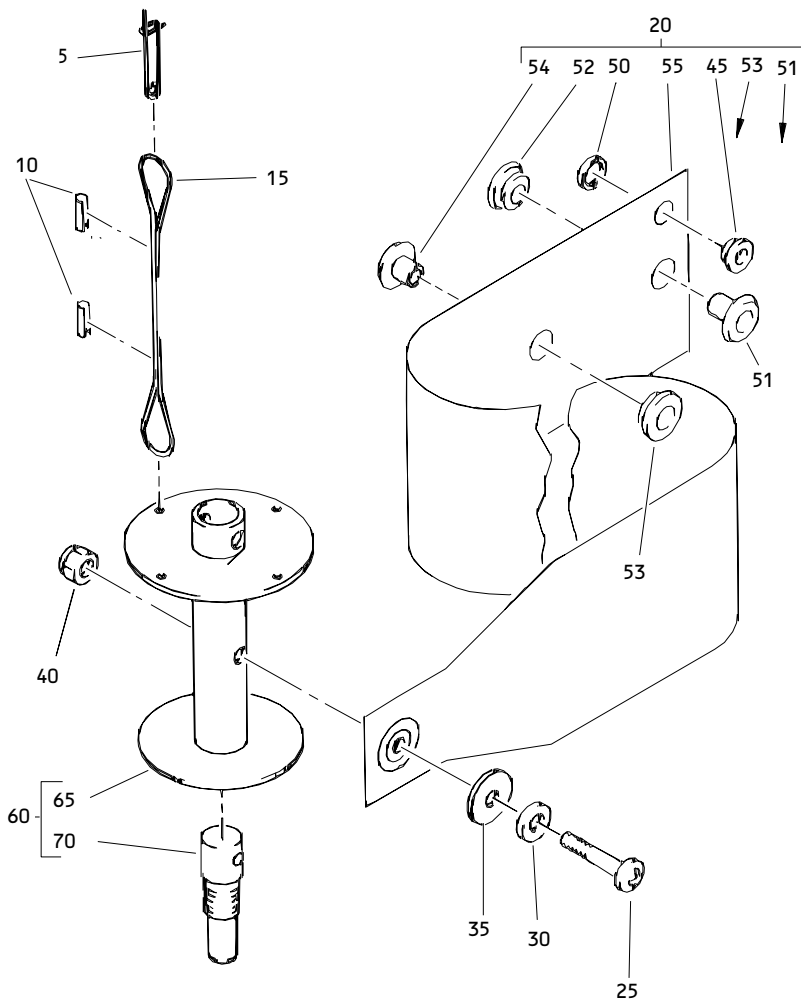
ILLUSTRATED PARTS LIST
01.1 Page 1060K
Jul 01/04

FIG. & ITEM	PART NO.	AIRLINE PART NUMBER	NOMENCLATURE 1234567	EFF CODE	QTY PER ASSY
07-85	HL10VAZ6-3		.BOLT- (V60516) (SPEC BACB30MY6K3) (OPT B30MY6K3 (V97928))	F,G, N-AP, AZ,BA ,BC,B D,BF BK,BV ,BW,B Y-CZ, DB,DC ,DF DG,DN ,DP	2
90	HL79-6		.COLLAR- (V5M902) (SPEC BACC30M6) (OPT HL79-6 (V73197)) (OPT HL79-6 (V92215)) (OPT 66014-6 (V56878)) (OPT HL79-6 (V56878))	F,G, N-AP, AZ,BA ,BC,B D,BF BK,BV ,BW,B Y-CZ, DB,DC ,DF DG,DN ,DP	2
95	315T3156-13		.ANGLE	F,G, N-AP, AZ,BA ,BC,B D,BF BK,BV ,BW,B Y-CZ, DB,DC ,DF DG,DN ,DP	1

- Item Not Illustrated

78-31-15

 ILLUSTRATED PARTS LIST
 01.1 Page 1060L
 Jul 01/04



Ground Maintenance Deactivation Pin Assembly
 Figure 8

78-31-15

ILLUSTRATED PARTS LIST
 01.1 Page 1060N
 Jul 01/04

BOEING
COMPONENT
MAINTENANCE MANUAL

FIG. & ITEM	PART NO.	AIRLINE PART NUMBER	NOMENCLATURE	EFF CODE	QTY PER ASSY
08-1	315T3157-1		1234567 PIN ASSY-GND MAINT DEACTIVATION	F,G, N-T,Z ,AD,A H,AM, AZ,BA BC,BD ,BF,B K,BV, BW,B Y-CD CN-CR ,DB, DC,DF ,DG,D N,DP	RF
-1A	315T3157-7		PIN ASSY-GND MAINT DEACTIVATION	F,G, N-Z,A C,AD, AG,AH ,AL,A M AZ,BA ,BC,B D,BF, BK,BV ,BW BY-CR ,DB, DC,DF ,DG,D N,DP	RF

78-31-15

ILLUSTRATED PARTS LIST
01.1 Page 10600
Jul 01/04

FIG. & ITEM	PART NO.	AIRLINE PART NUMBER	NOMENCLATURE	EFF CODE	QTY PER ASSY
08-5	AN416-1		.PIN-RETAINING (USED ON ITEM 1)	F,G, N-T,Z ,AD,A H,AM, AZ,BA BC,BD ,BF,B K,BV, BW,B Y-CD CN-CR ,DB, DC,DF ,DG,D N,DP	1
10	CL4F		.FERRULE- (V99862) (SPEC BACF22U2) (OPT 325167 (V00779)) (USED ON ITEM 1)	F,G, N-T,Z ,AD,A H,AM, AZ,BA BC,BD ,BF,B K,BV, BW,B Y-CD CN-CR ,DB, DC,DF ,DG,D N,DP	2

78-31-15

 ILLUSTRATED PARTS LIST
 01.1 Page 1060P
 Jul 01/04

 **BOEING**
COMPONENT
MAINTENANCE MANUAL

FIG. & ITEM	PART NO.	AIRLINE PART NUMBER	NOMENCLATURE	EFF CODE	QTY PER ASSY
08-15	BACC13Y3A30		1234567 .CABLE- (USED ON ITEM 1)	F,G, N-T,Z ,AD,A H,AM, AZ,BA BC,BD ,BF,B K,BV, BW,B Y-CD CN-CR ,DB, DC,DF ,DG,D N,DP	1
20	315T3157-6		.STREAMER ASSY- (USED ON ITEM 1)	F,G, N-T,Z ,AD,A H,AM, AZ,BA BC,BD ,BF,B K,BV, BW,B Y-CD CN-CR ,DB, DC,DF ,DG,D N,DP	1

78-31-15

ILLUSTRATED PARTS LIST
01.1 Page 1060Q
Jul 01/04

FIG. & ITEM	PART NO.	AIRLINE PART NUMBER	NOMENCLATURE 1234567	EFF CODE	QTY PER ASSY
08- -20A	315T3157-10		.STREAMER ASSY- (USED ON ITEM 1A)	F,G, N-Z,A C,AD, AG,AH ,AL,A M AZ,BA ,BC,B D,BF, BK,BV ,BW BY-CR ,DB, DC,DF ,DG,D N,DP	1
25	NAS603-22P		.ATTACHING PARTS .BOLT	F,G, N-Z,A C,AD, AG,AH ,AL,A M AZ,BA ,BC,B D,BF, BK,BV ,BW BY-CR ,DB, DC,DF ,DG,D N,DP	1

78-31-15

 ILLUSTRATED PARTS LIST
 01.1 Page 1060R
 Jul 01/04

 **BOEING**
COMPONENT
MAINTENANCE MANUAL

FIG. & ITEM	PART NO.	AIRLINE PART NUMBER	NOMENCLATURE	EFF CODE	QTY PER ASSY
08-30	AN960C11		.WASHER	F,G, N-Z,A C,AD, AG,AH ,AL,A M AZ,BA ,BC,B D,BF, BK,BV ,BW BY-CR ,DB, DC,DF ,DG,D N,DP	1
35	NAS43DD3-15		.SPACER	F,G, N-Z,A C,AD, AG,AH ,AL,A M AZ,BA ,BC,B D,BF, BK,BV ,BW BY-CR ,DB, DC,DF ,DG,D N,DP	1

78-31-15

ILLUSTRATED PARTS LIST
01.1 Page 1060S
Jul 01/04

FIG. & ITEM	PART NO.	AIRLINE PART NUMBER	NOMENCLATURE 1234567	EFF CODE	QTY PER ASSY
08-40	BRH10C3M		.NUT- (V52828) (SPEC BACN10JC3CM) (OPT T6C1032JM (V11815)) (OPT 97E02 (V80539)) (OPT 109LH9075-3W (V72962)) (OPT VN303D02 (V92215)) (OPT NS202101SE02 (V80539)) (OPT H01-3BAC (V15653))	F,G, N-Z,A C,AD, AG,AH ,AL,A M AZ,BA ,BC,B D,BF, BK,BV ,BW BY-CR ,DB, DC,DF ,DG,D N,DP	1
45	MS20230GB10		-----*----- .GROMMET- (USED ON ITEM 20)	F,G, N-T,Z ,AD,A H,AM, AZ,BA BC,BD ,BF,B K,BV, BW,B Y-CD CN-CR ,DB, DC,DF ,DG,D N,DP	1

78-31-15

 ILLUSTRATED PARTS LIST
 01.1 Page 1060T
 Jul 01/04

BOEING
COMPONENT
MAINTENANCE MANUAL

FIG. & ITEM	PART NO.	AIRLINE PART NUMBER	NOMENCLATURE	EFF CODE	QTY PER ASSY
08-50	MS20230WB10		1234567 ..WASHER- (USED ON ITEM 20)	F,G, N-T,Z ,AD,A H,AM, AZ,BA BC,BD ,BF,B K,BV, BW,B Y-CD CN-CR ,DB, DC,DF ,DG,D N,DP	1
51	MS27980-1N		..FASTENER- (USED ON ITEM 20A)	F,G, N-Z,A C,AD, AG,AH ,AL,A M AZ,BA ,BC,B D,BF, BK,BV ,BW BY-CR ,DB, DC,DF ,DG,D N,DP	1

78-31-15

ILLUSTRATED PARTS LIST

01.1 Page 1060U

Jul 01/04

FIG. & ITEM	PART NO.	AIRLINE PART NUMBER	NOMENCLATURE 1234567	EFF CODE	QTY PER ASSY
08-52	MS27980-6N		..FASTENER- (USED ON ITEM 20A)	F,G, N-Z,A C,AD, AG,AH ,AL,A M AZ,BA ,BC,B D,BF, BK,BV ,BW BY-CR ,DB, DC,DF ,DG,D N,DP	1
53	MS27980-7N		..FASTENER- (USED ON ITEM 20A)	F,G, N-Z,A C,AD, AG,AH ,AL,A M AZ,BA ,BC,B D,BF, BK,BV ,BW BY-CR ,DB, DC,DF ,DG,D N,DP	1

78-31-15

 ILLUSTRATED PARTS LIST
 01.1 Page 1060V
 Jul 01/04

 **BOEING**
COMPONENT
MAINTENANCE MANUAL

FIG. & ITEM	PART NO.	AIRLINE PART NUMBER	NOMENCLATURE	EFF CODE	QTY PER ASSY
08-54	MS27980-8N		1234567 ..FASTENER- (USED ON ITEM 20A)	F,G, N-Z,A C,AD, AG,AH ,AL,A M AZ,BA ,BC,B D,BF, BK,BV ,BW BY-CR ,DB, DC,DF ,DG,D N,DP	1
55	NAS1756-24		..STREAMER	F,G, N-Z,A C,AD, AG,AH ,AL,A M AZ,BA ,BC,B D,BF, BK,BV ,BW BY-CR ,DB, DC,DF ,DG,D N,DP	1

78-31-15

ILLUSTRATED PARTS LIST

01.1 Page 1060W

Jul 01/04

FIG. & ITEM	PART NO.	AIRLINE PART NUMBER	NOMENCLATURE	EFF CODE	QTY PER ASSY
08-60	315T3157-2		.SPOOL ASSY- (USED ON ITEM 1)	F,G, N-T,Z ,AD,A H,AM, AZ,BA BC,BD ,BF,B K,BV, BW,B Y-CD CN-CR ,DB, DC,DF ,DG,D N,DP	1
-60A	315T3157-2		.SPOOL ASSY- (OPT ITEM 60B) (USED ON ITEM 1A)	F,G, N-Z,A C,AD, AG,AH ,AL,A M AZ,BA ,BC,B D,BF, BK,BV ,BW BY-CR ,DB, DC,DF ,DG,D N,DP	1

78-31-15

 ILLUSTRATED PARTS LIST
 01.1 Page 1060X
 Jul 01/04

 **BOEING**
COMPONENT
MAINTENANCE MANUAL

FIG. & ITEM	PART NO.	AIRLINE PART NUMBER	NOMENCLATURE	EFF CODE	QTY PER ASSY
08-60B	315T3157-8		1234567 ..SPOOL ASSY- (OPT ITEM 60A) (USED ON ITEM 1A)	F,G, N-Z,A C,AD, AG,AH ,AL,A M AZ,BA ,BC,B D,BF, BK,BV ,BW BY-CR ,DB, DC,DF ,DG,D N,DP	1
65	315T3157-3		..TUBE	F,G, N-Z,A C,AD, AG,AH ,AL,A M AZ,BA ,BC,B D,BF, BK,BV ,BW BY-CR ,DB, DC,DF ,DG,D N,DP	1

78-31-15

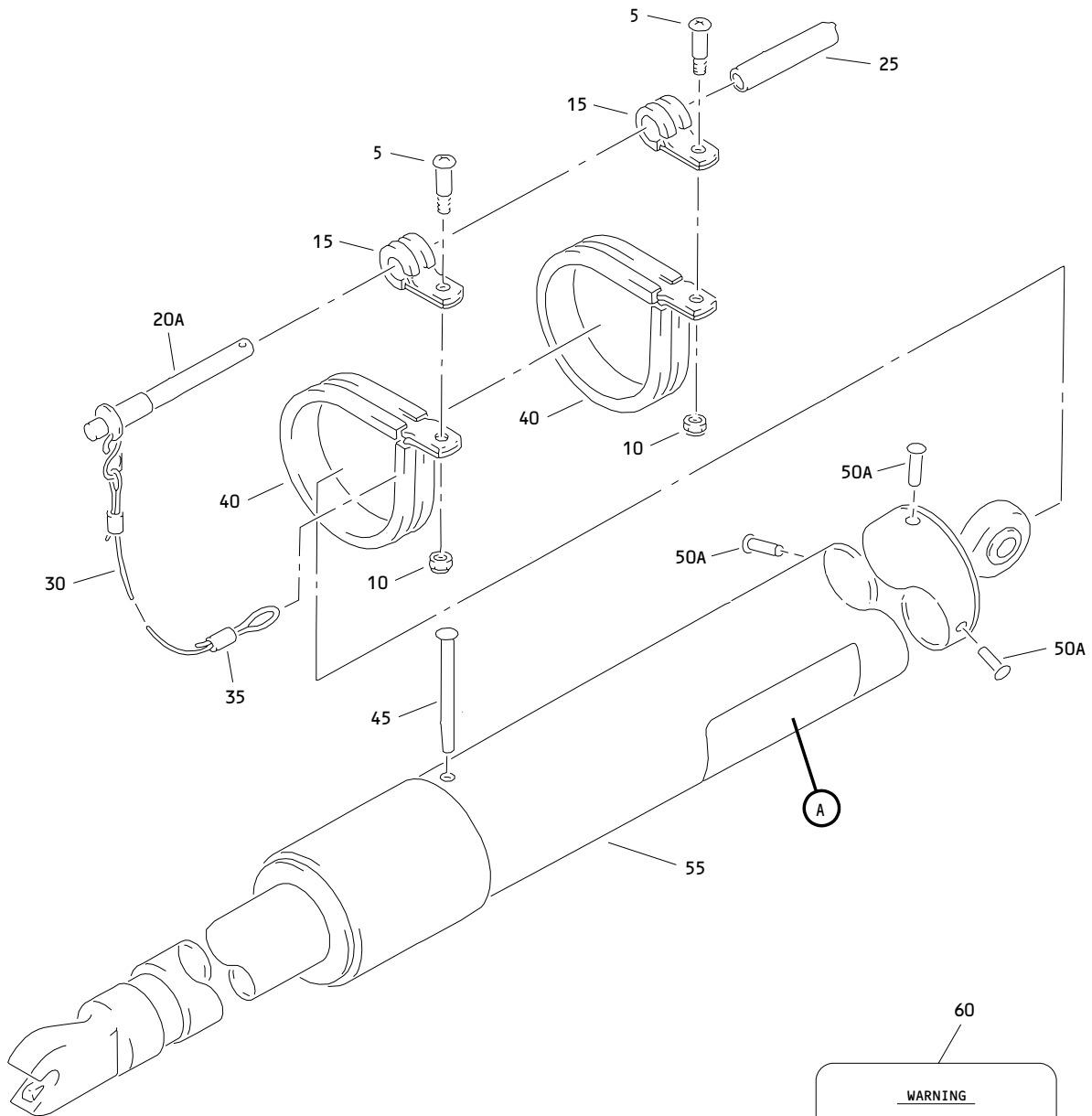
ILLUSTRATED PARTS LIST
01.1 Page 1060Y
Jul 01/04

FIG. & ITEM	PART NO.	AIRLINE PART NUMBER	NOMENCLATURE	EFF CODE	QTY PER ASSY
08-70	315T1604-3		1234567 ..PIN	F,G, N-Z,A C,AD, AG,AH ,AL,A M AZ,BA ,BC,B D,BF, BK,BV ,BW BY-CR ,DB, DC,DF ,DG,D N,DP	1

- Item Not Illustrated

78-31-15

ILLUSTRATED PARTS LIST
 01.1 Page 1060Z
 Jul 01/04



WARNING
 INSERT LOCKING
 PIN THRU ROD
 WHEN EXTENDED

A

Hold Open Rod Assembly
 Figure 9

78-31-15

ILLUSTRATED PARTS LIST
 01.1 Page 1062
 Jul 01/04

 **BOEING**
COMPONENT
MAINTENANCE MANUAL

FIG. & ITEM	PART NO.	AIRLINE PART NUMBER	NOMENCLATURE 1234567	EFF CODE	QTY PER ASSY
09- -1	315T3159-1		ROD ASSY-HOLD OPEN (REWORK) (POST SB 767-71A0025)		RF
5 10	BACB30NT3K2 BRH10C3D		.BOLT .NUT- (V52828) (SPEC BACN10JC3CD) (OPT T6C1032JCD (V11815)) (OPT NS202486-02 (V80539)) (OPT 102LH9075-3W (V72962)) (OPT H51650-3BAC (V15653))		2 2
15 20 20A	MS21919WCH5 BLC4BC18SL4 CL4BLPB1-8S		.CLAMP DELETED .PIN-BALL LOCK (V99862) (OPT ITEMS 20B, 20C)		2 1
-20B	BLC4BC18S		.PIN-BALL LOCK (V84256) (OPT ITEMS 20A, 20C)		1
-20C	MS17984C418		.PIN-BALL LOCK (OPT ITEMS 20A, 20B)		1
25	315T3159-3		.RETAINER-PIN (MFD FROM 304 CRES TUBE F17.09 MIL-T-6845 5/8 IN OD X 30.28 IN X 1.79 IN LG)		1

78-31-15

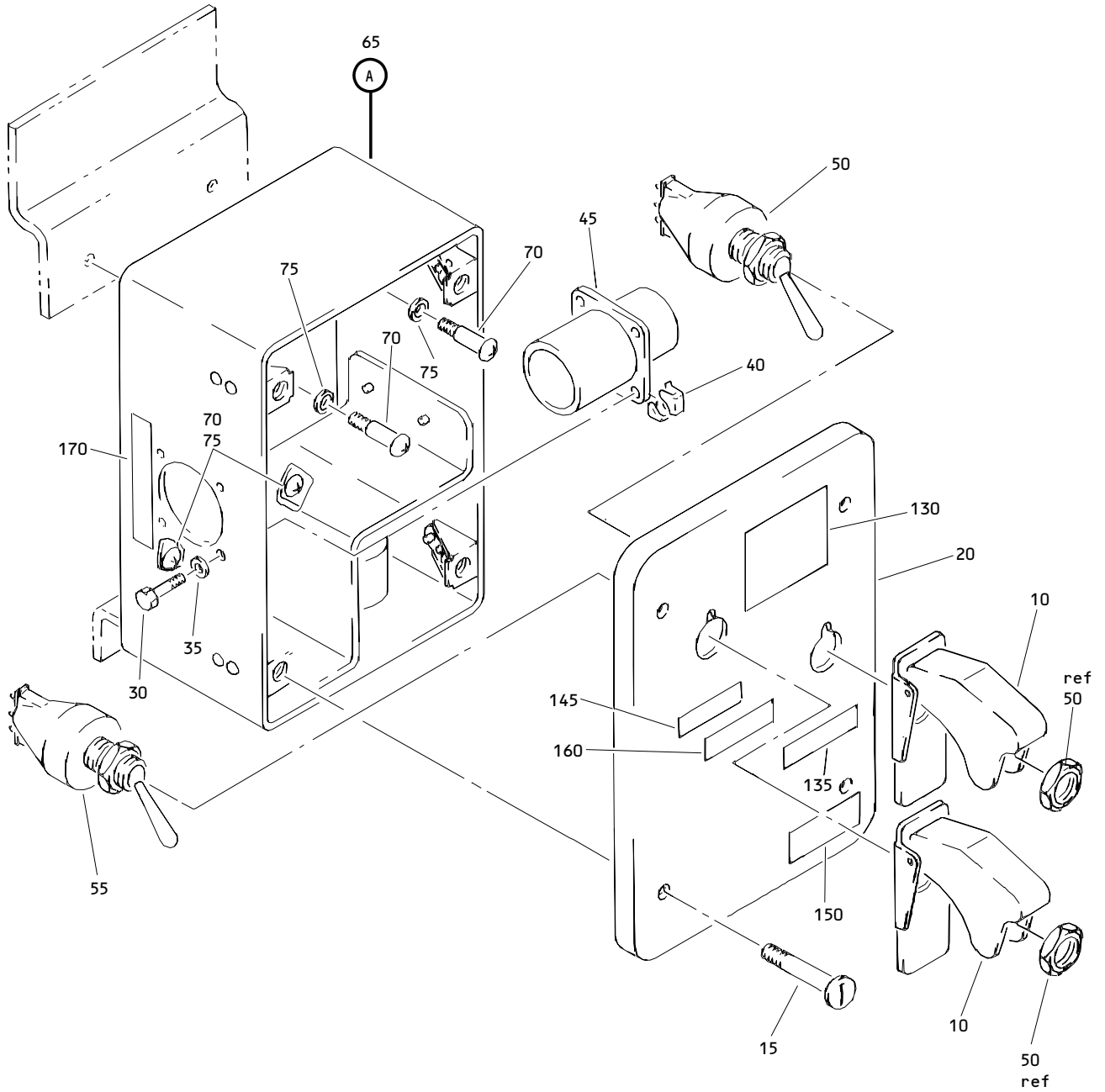
ILLUSTRATED PARTS LIST
01.1 Page 1062A
Jul 01/04

FIG. & ITEM	PART NO.	AIRLINE PART NUMBER	NOMENCLATURE 1234567	EFF CODE	QTY PER ASSY
09-30	BACC13Y3B42		.CABLE ASSY		1
35	CL4F		.FERRULE- (V99862) (SPEC BACF22U2) (OPT 325167 (V00779))		1
40	MS21919WCH28		.CLAMP		2
45	MS20613-6C30		.RIVET		1
50	AD66ABS		DELETED		
50A	SSD66SSBS		.RIVET- (V07707)		3
55	A2724-3		.STRUT ASSY- (V08844) (SPEC S315T366-2)		1
60	BAC27TTR0043		.MARKER-ALUMINUM FOIL		1

- Item Not Illustrated

78-31-15

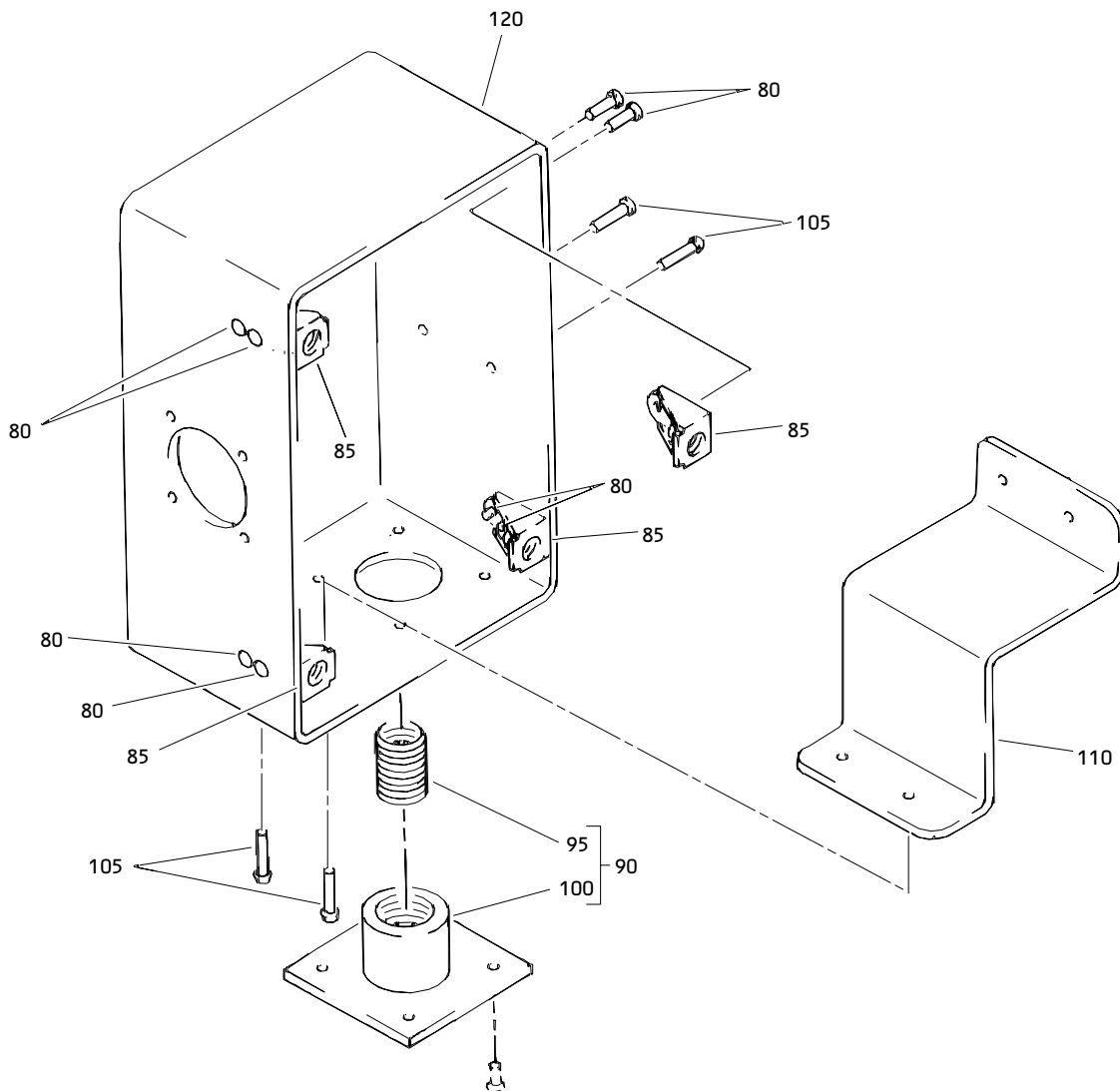
ILLUSTRATED PARTS LIST
 01.1 Page 1062B
 Jul 01/04



Override Actuator Switch Installation
Figure 10 (Sheet 1)

78-31-15

ILLUSTRATED PARTS LIST
01.1 Page 1062C
Jul 01/04



A

Override Actuator Switch Installation
Figure 10 (Sheet 2)

78-31-15

ILLUSTRATED PARTS LIST
01.1 Page 1062D
Jul 01/04

BOEING
COMPONENT
MAINTENANCE MANUAL

FIG. & ITEM	PART NO.	AIRLINE PART NUMBER	NOMENCLATURE 1234567	EFF CODE	QTY PER ASSY
10- -1	315T3655-7		SWITCH INSTL-OVERRIDE ACTR (VARIABLE)	U,W,A A,AB, AJ,AK ,CE,C G,CS CU,CW ,CY	RF
-5	315T3655-8		SWITCH INSTL-OVERRIDE ACTR (VARIABLE)	V,X,A E,AF, AN,AP ,CF,C H,CT CV,CX ,CZ	RF
10	MS25224-3		. GUARD	U-X,A A,AB, AE,AF ,AJ,A K,AN AP,C E-CH, CS-CZ	2
15	AN525-10R6		. SCREW	U-X,A A,AB, AE,AF ,AJ,A K,AN AP,C E-CH, CS-CZ	4

78-31-15

ILLUSTRATED PARTS LIST
01.1 Page 1062E
Jul 01/04

FIG. & ITEM	PART NO.	AIRLINE PART NUMBER	NOMENCLATURE 1234567	EFF CODE	QTY PER ASSY
10-20	315T3656-17		.COVER	U,W,A A,AB, AJ,AK ,CE,C G,CS CU,CW ,CY	1
-25	315T3656-10		.COVER	V,X,A E,AF, AN,AP ,CF,C H,CT CV,CX ,CZ	1
30	NAS1801-04-5		.SCREW	U-X,A A,AB, AE,AF ,AJ,A K,AN AP,C E-CH, CS-CZ	4
35	AN960XC4L		.WASHER	U-X,A A,AB, AE,AF ,AJ,A K,AN AP,C E-CH, CS-CZ	4

78-31-15

 ILLUSTRATED PARTS LIST
 01.1 Page 1062F
 Jul 01/04

 **BOEING**
COMPONENT
MAINTENANCE MANUAL

FIG. & ITEM	PART NO.	AIRLINE PART NUMBER	NOMENCLATURE 1234567	EFF CODE	QTY PER ASSY
10-40	132003		.NUT- (V60119) (SPEC BACN10XP1) (OPT 132003 (V76530))	U-X,A A,AB, AE,AF ,AJ,A K,AN AP,C E-CH, CS-CZ	4
45	R071914-7P		.CONNECTOR- (V41118) (SPEC BACC45FM14-7P) (OPT C48-00R14-7P102 (V13556)) (OPT ZZYAC1714-7P (V49367)) (OPT 48-00R14-7P300 (V02660))	U-X,A A,AB, AE,AF ,AJ,A K,AN AP,C E-CH, CS-CZ	1
50	65407		.SWITCH- (V02005)	U-X,A A,AB, AE,AF ,AJ,A K,AN AP,C E-CH, CS-CZ	1
55	65408		.SWITCH- (V02005)	U-X,A A,AB, AE,AF ,AJ,A K,AN AP,C E-CH, CS-CZ	1
60	315T3656-20		.BOX ASSY-JCT	U,W,A A,AB, AJ,AK ,CE,C G,CS CU,CW ,CY	1

78-31-15

ILLUSTRATED PARTS LIST
01.1 Page 1062G
Jul 01/04

FIG. & ITEM	PART NO.	AIRLINE PART NUMBER	NOMENCLATURE	EFF CODE	QTY PER ASSY
10-65	315T3656-21		.BOX ASSY-JCT	V,X,A E,AF, AN,AP ,CF,C H,CT CV,CX ,CZ	1
70	BACB30LK3-2		ATTACHING PARTS .BOLT	U-X,A A,AB, AE,AF ,AJ,A K,AN AP,C E-CH, CS-CZ	4
75	AN960KD10L		.WASHER	U-X,A A,AB, AE,AF ,AJ,A K,AN AP,C E-CH, CS-CZ	4
80	BACR15BB3AD		-----*----- .RIVET- (SIZE DETERMINE ON INST)	U-X,A A,AB, AE,AF ,AJ,A K,AN AP,C E-CH, CS-CZ	8

78-31-15

 ILLUSTRATED PARTS LIST
 01.1 Page 1062H
 Jul 01/04

FIG. & ITEM	PART NO.	AIRLINE PART NUMBER	NOMENCLATURE 1234567	EFF CODE	QTY PER ASSY
10-85	MF6000-3		..NUTPLATE- (V15653) (SPEC BACN10KJ3)	U-X,A A,AB, AE,AF ,AJ,A K,AN AP,C E-CH, CS-CZ	4
90	315T3245-1		..RETAINER ASSY- DEACTIVATION PIN	U-X,A A,AB, AE,AF ,AJ,A K,AN AP,C E-CH, CS-CZ	1
95	MS21209F8-10		...INSERT	U-X,A A,AB, AE,AF ,AJ,A K,AN AP,C E-CH, CS-CZ	1
100	315T3245-2		...RETAINER	U-X,A A,AB, AE,AF ,AJ,A K,AN AP,C E-CH, CS-CZ	1

78-31-15

ILLUSTRATED PARTS LIST
01.1 Page 1062I
Jul 01/04

FIG. & ITEM	PART NO.	AIRLINE PART NUMBER	NOMENCLATURE 1234567	EFF CODE	QTY PER ASSY
10-105	BACR15BB4AD		..RIVET- (SIZE DETERMINE ON INST)	U-X,A A,AB, AE,AF ,AJ,A K,AN AP,C E-CH, CS-CZ	4
110	315T3658-10		..ANGLE	U,W,A A,AB, AJ,AK ,CE,C G,CS CU,CW ,CY	1
-115	315T3658-1		..ANGLE	V,X,A E,AF, AN,AP ,CF,C H,CT CV,CX ,CZ	1
120	315T3656-7		..BOX	U,W,A A,AB, AJ,AK ,CE,C G,CS CU,CW ,CY	1
-125	315T3656-8		..BOX	V,X,A E,AF, AN,AP ,CF,C H,CT CV,CX ,CZ	1
130	BAC27TTR0001		.MARKER-ALUMINUM FOIL- LH COWL	U,W,A A,AB, AJ,AK ,CE,C G,CS CU,CW ,CY	1

78-31-15

 ILLUSTRATED PARTS LIST
 01.1 Page 1062J
 Jul 01/04



BOEING
COMPONENT
MAINTENANCE MANUAL

FIG. & ITEM	PART NO.	AIRLINE PART NUMBER	NOMENCLATURE 1234567	EFF CODE	QTY PER ASSY
10-135	BAC27TTR0004		.MARKER-ALUMINUM FOIL-CLOSE	U-X,A A,AB, AE,AF ,AJ,A K,AN AP,C E-CH, CS-CZ	1
-140	BAC27TTR0002		.MARKER-ALUMINUM FOIL-RH COWL	V,X,A E,AF, AN,AP ,CF,C H,CT CV,CX ,CZ	1
145	BAC27TTR0003		.MARKER-ALUMINUM FOIL-OPEN	U-X,A A,AB, AE,AF ,AJ,A K,AN AP,C E-CH, CS-CZ	1
150	BAC27TTR0006		.MARKER-ALUMINUM FOIL-PIN STORAGE	U,W,A A,AB, AJ,AK ,CE,C G,CS CU,CW ,CY	1
155	BAC27TTR0006		.MARKER-ALUMINUM FOIL-PIN STORAGE	V,X,A E,AF, AN,AP ,CF,C H,CT CV,CX ,CZ	1
160	BAC27TTR0008		.MARKER-ALUMINUM FOIL-M580	U,W,A A,AB, AJ,AK ,CE,C G,CS CU,CW ,CY	1

78-31-15

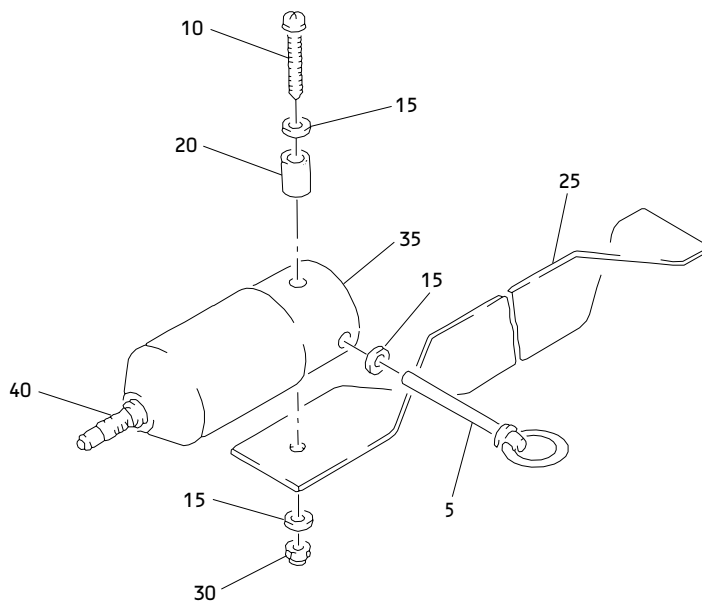
ILLUSTRATED PARTS LIST
01.1 Page 1062K
Jul 01/04

FIG. & ITEM	PART NO.	AIRLINE PART NUMBER	NOMENCLATURE 1234567	EFF CODE	QTY PER ASSY
10- -165	BAC27TTR0009		.MARKER-ALUMINUM FOIL- M581	V,X,A E,AF, AN,AP ,CF,C H,CT CV,CX ,CZ	1
170	BAC27TTR0012		.MARKER-ALUMINUM FOIL- M/WD164	U,W,A A,AB, AJ,AK ,CE,C G,CS CU,CW ,CY	1
-175	BAC27TTR0013		.MARKER-ALUMINUM FOIL- M/WD166	V,X,A E,AF, AN,AP ,CF,C H,CT CV,CX ,CZ	1

- Item Not Illustrated

78-31-15

ILLUSTRATED PARTS LIST
01.1 Page 1062L
Jul 01/04



Ground Maintenance Deactivation Pin Assembly
Figure 11

78-31-15

ILLUSTRATED PARTS LIST
01.1 Page 1062N
Jul 01/04

 **BOEING**
COMPONENT
MAINTENANCE MANUAL

FIG. & ITEM	PART NO.	AIRLINE PART NUMBER	NOMENCLATURE 1234567	EFF CODE	QTY PER ASSY
11- -1	315T4157-1		PIN ASSY-DEACTIVATION, GROUND MAINTENANCE	Y,AC, AG,AL ,CJ-C M	RF
5	BLDS3-22		.PIN-QUICK RELEASE (V84256) (SPEC BACP18AN3-22) (OPT LA3EW22 (V83014)) (OPT SLDS3R22 (V16258))	Y,AC, AG,AL ,CJ-C M	1
10	NAS603-11P		.SCREW	Y,AC, AG,AL ,CJ-C M	1
15	AN960C11		.WASHER	Y,AC, AG,AL ,CJ-C M	3
20	NAS43DD3-24		.SPACER	Y,AC, AG,AL ,CJ-C M	1
25	NAS1756-24		.STREAMER	Y,AC, AG,AL ,CJ-C M	1
30	BRH10C3M		.NUT- (V52828) (SPEC BACN10JC3CM) (OPT T6C1032JM (V11815)) (OPT 97E02 (V80539)) (OPT 109LH9075-3W (V72962)) (OPT VN303D02 (V92215)) (OPT NS202101SE02 (V80539)) (OPT H01-3BAC (V15653))	Y,AC, AG,AL ,CJ-C M	1

78-31-15

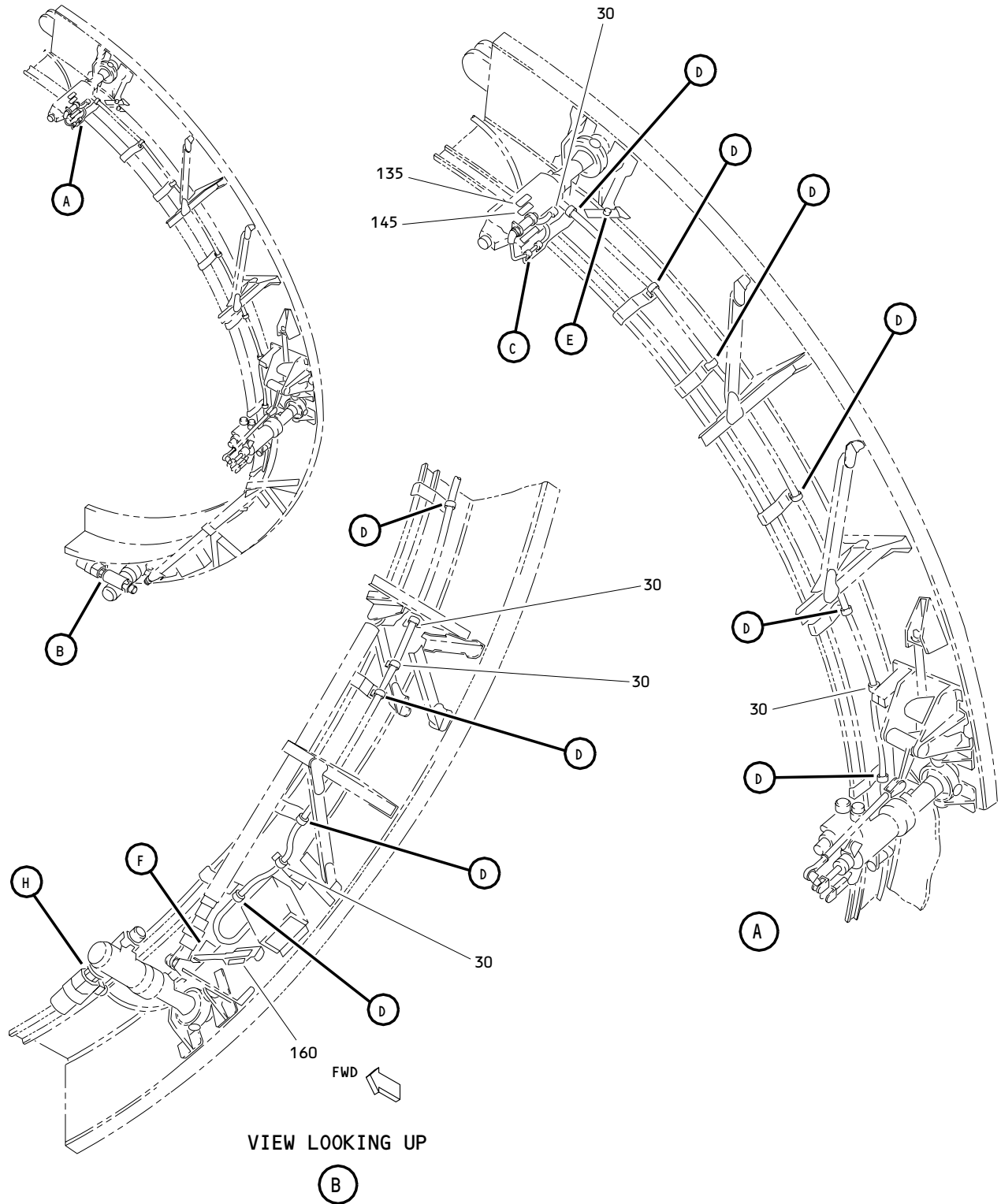
ILLUSTRATED PARTS LIST
01.1 Page 10620
Jul 01/04

FIG. & ITEM	PART NO.	AIRLINE PART NUMBER	NOMENCLATURE	EFF CODE	QTY PER ASSY
			1234567		
11-35	315T4157-2		.SPOOL ASSY	Y,AC, AG,AL ,CJ-C M	1
40	315T1604-4		..PIN-INSERT	Y,AC, AG,AL ,CJ-C M	1
			INSTALLATION PARTS (THESE PARTS ARE NEEDED FOR THE INCORPORATION OF SB 767-78-0060)	BL-DV ,EA- ED	

- Item Not Illustrated

78-31-15

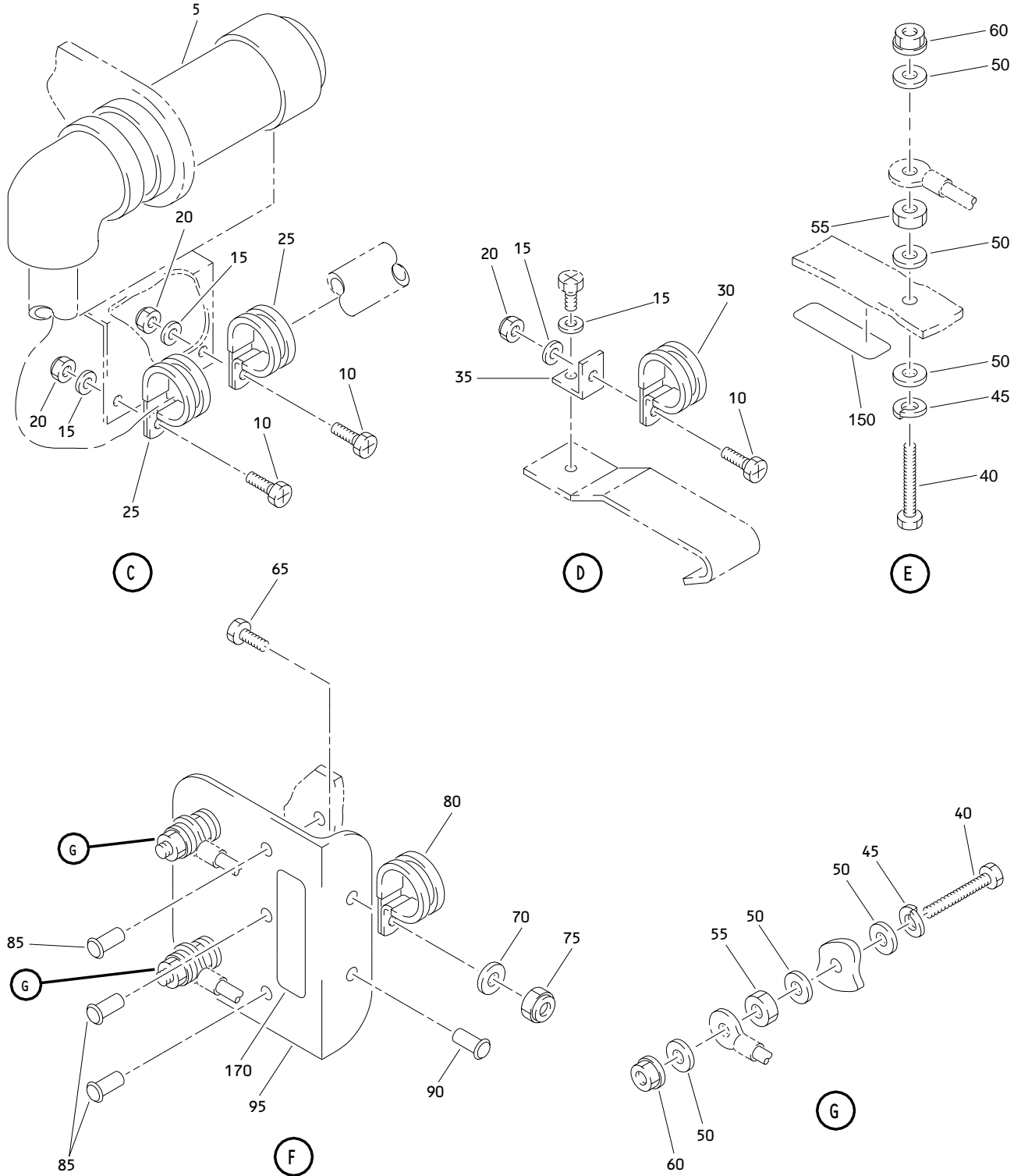
ILLUSTRATED PARTS LIST
 01.1 Page 1062P
 Jul 01/04



Fan Duct Cowl and Thrust Reverser Assembly Installation Parts
 Figure 12 (Sheet 1)

78-31-15

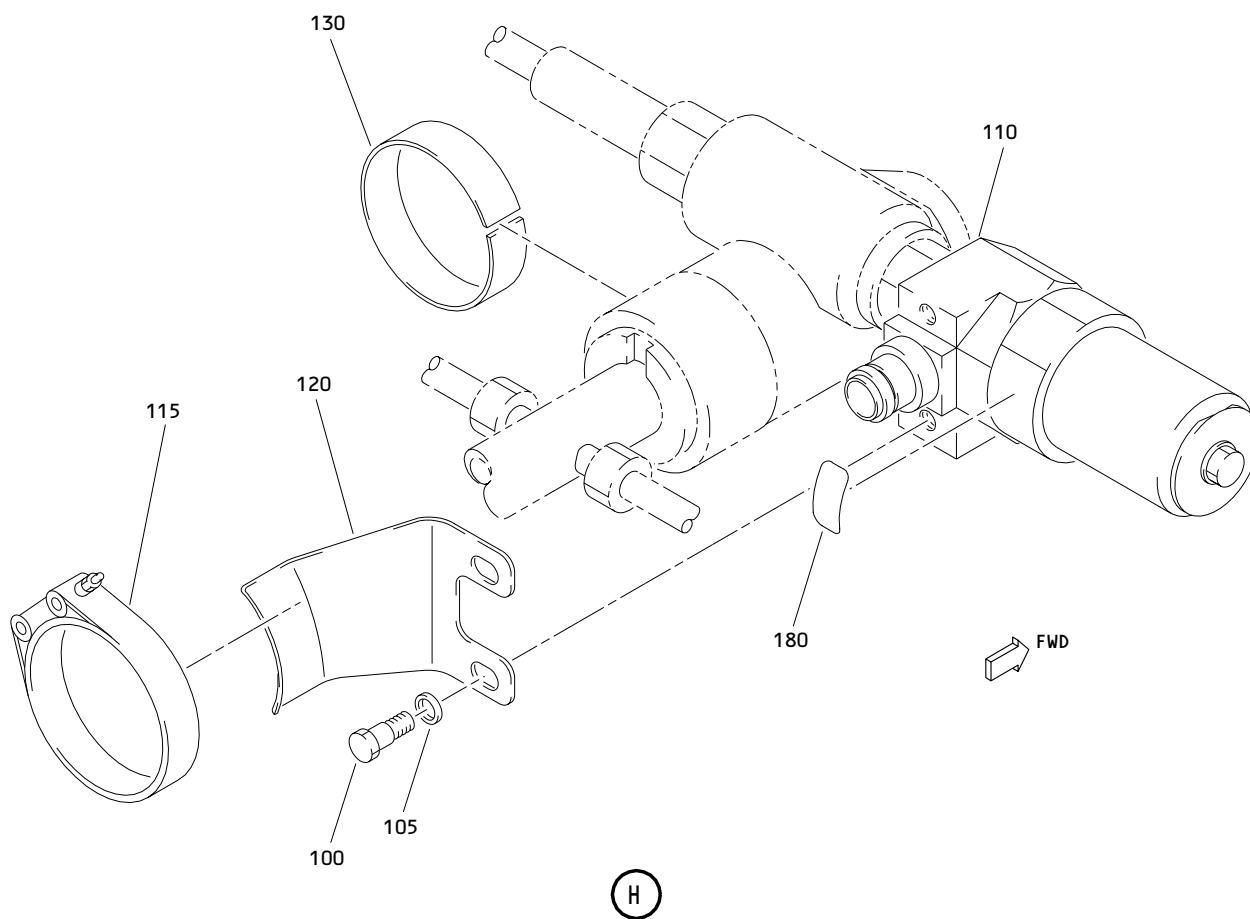
ILLUSTRATED PARTS LIST
 01.1 Page 1062R
 Jul 01/04



Fan Duct Cowl and Thrust Reverser Assembly Installation Parts
Figure 12 (Sheet 2)

78-31-15

ILLUSTRATED PARTS LIST
01.1 Page 1062S
Jul 01/04



Fan Duct Cowl and Thrust Reverser Assembly Installation Parts
Figure 12 (Sheet 3)

78-31-15

ILLUSTRATED PARTS LIST
01.1 Page 1062T
Jul 01/04

 **BOEING**
COMPONENT
MAINTENANCE MANUAL

FIG. & ITEM	PART NO.	AIRLINE PART NUMBER	NOMENCLATURE 1234567	EFF CODE	QTY PER ASSY
12-			INSTALLATION PARTS (THESE PARTS ARE NEEDED FOR THE INCORPORATION OF SB 767-78-0060)	BL-DV ,EA- ED	
5	8-527-01		SENSOR-PROXIMITY (V08748)	BL-DV ,EA- ED	1
10	NAS1801-3-3		SCREW	BL-DV ,EA- ED	12
15	AN960C10L		WASHER	BL-DV ,EA- ED	22
20	H10-3BAC		NUT- (V15653) (SPEC BACN10JC3) (OPT NS202101-02 (V80539)) (OPT RMLH9075-3W (V72962)) (OPT VN303A02 (V92215)) (OPT 96-02 (V80539)) (OPT BRH10A3 (V52828)) (OPT T6S1032J (V11815))	BL-DV ,EA- ED	12
25	S717-102S102RG		CLAMP- (V18076) (SPEC BACC10GU102) (OPT 534CS102 (V83930)) (OPT JM44LC39S102RG (V22175))	BL-DV ,EA- ED	2

78-31-15

ILLUSTRATED PARTS LIST
01.1 Page 1062U
Jul 01/04

FIG. & ITEM	PART NO.	AIRLINE PART NUMBER	NOMENCLATURE 1234567	EFF CODE	QTY PER ASSY
12-30	BACC10GU		CLAMP- (SIZE DETERMINE ON INST)	BL-DV ,EA- ED	15
35	AN743-12		BRACKET	BL-DV ,EA- ED	10
40	NAS1801-3-12		SCREW	BL-DV ,EA- ED	3
45	MS35338-43		WASHER	BL-DV ,EA- ED	3
50	AN960JD10L		WASHER	BL-DV ,EA- ED	9
55	MS35650-305T		NUT	BL-DV ,EA- ED	3
60	MS21042L3		NUT	BL-DV ,EA- ED	3
65	NAS1801-3-4		SCREW	BL-DV ,EA- ED	1
70	AN960C10L		WASHER	BL-DV ,EA- ED	1
75	H10-3BAC		NUT- (V15653) (SPEC BACN10JC3) (OPT NS202101-02 (V80539)) (OPT RMLH9075-3W (V72962)) (OPT VN303A02 (V92215)) (OPT 96-02 (V80539)) (OPT BRH10A3 (V52828)) (OPT T6S1032J (V11815))	BL-DV ,EA- ED	1

78-31-15

 ILLUSTRATED PARTS LIST
 01.1 Page 1062V
 Jul 01/04

 **BOEING**
COMPONENT
MAINTENANCE MANUAL

FIG. & ITEM	PART NO.	AIRLINE PART NUMBER	NOMENCLATURE 1234567	EFF CODE	QTY PER ASSY
12-80	S717-102S102RG		CLAMP- (V18076) (SPEC BACC10GU102) (OPT 534CS102 (V83930)) (OPT JM44LC39S102RG (V22175))	BL-DV ,EA- ED	1
85	BACR15BB6AD4		RIVET	BL-DV ,EA- ED	3
90	BACR15BB6AD4		RIVET	BL,BN ,BQ,B S,BU, BW,BY ,CA CC,CE ,CG,C J,CL, CN,CQ ,CS CU,CW ,CY, DA,DC ,DE,D G,DJ DL,DN ,DQ,D S,DU, EA,EC	1

78-31-15

ILLUSTRATED PARTS LIST
01.1 Page 1062W
Jul 01/04

FIG. & ITEM	PART NO.	AIRLINE PART NUMBER	NOMENCLATURE 1234567	EFF CODE	QTY PER ASSY
12-95	315T4725-10		BRACKET	BL-DV ,EA-ED	1
100	NAS6703U1		BOLT	BL-DV ,EA-ED	2
105	BACW10BP3ACU		WASHER	BL-DV ,EA-ED	2
110	TY1878-21		LOCK ASSY-SYNCH SHAFT (VK0377) (SPEC S315N370-2) (OPT ITEM 110A)	BL-DV ,EA-ED	1
-110A	TY1878-22		LOCK ASSY-SYNCH SHAFT (VK0377) (SPEC S315N370-3) (OPT ITEM 110)	BL-DV ,EA-ED	1
115	MBC5825275LM		CLAMP- (V98625) (SPEC BACC10BN275LM) (OPT 3078C275LM (V94581)) (OPT 1044275LM (V94581)) (OPT BC1080S275LZ (V14242)) (OPT MBC5825275LM (V00624)) (OPT 19396N275LM (V00624))	BL-DV ,EA-ED	1

78-31-15

 ILLUSTRATED PARTS LIST
 01.1 Page 1062X
 Jul 01/04

FIG. & ITEM	PART NO.	AIRLINE PART NUMBER	NOMENCLATURE 1234567	EFF CODE	QTY PER ASSY
12-120	315T4716-1		BRACKET	BL, BN , BQ, B S, BU, BW, BY , CA CC, CE , CG, C J, CL, CN, CQ , CS CU, CW , CY, DA, DC , DE, D G, DJ DL, DN , DQ, D S, DU, EA, EC	1
-125	315T4716-2		BRACKET	BM, BP , BR, B T, BV, BX, BZ , CB CD, CF , CH, C K, CM, CP, CR , CT CV, CX , CZ, DB, DD , DF, D H, DK DM, DP , DR, D T, DV, EB, ED	1

78-31-15

ILLUSTRATED PARTS LIST
01.1 Page 1062Y
Jul 01/04

FIG. & ITEM	PART NO.	AIRLINE PART NUMBER	NOMENCLATURE 1234567	EFF CODE	QTY PER ASSY
12-130	315T4717-1		GASKET	BL-DV ,EA- ED	1
135	BAC27TTR57		MARKER-ALUMINUM FOIL- S8634	BL,BN ,BQ,B S,BU, BW,BY ,CA CC,CE ,CG,C J,CL, CN,CQ ,CS CU,CW ,CY, DA,DC ,DE,D G,DJ DL,DN ,DQ,D S,DU, EA,EC	1
-140	BAC27TTR58		MARKER-ALUMINUM FOIL- S8635	BM,BP ,BR,B T,BV, BX,BZ ,CB CD,CF ,CH,C K,CM, CP,CR ,CT CV,CX ,CZ, DB,DD ,DF,D H,DK DM,DP ,DR,D T,DV, EB,ED	1

78-31-15

 ILLUSTRATED PARTS LIST
 01.1 Page 1062Z
 Jul 01/04

 **BOEING**
COMPONENT
MAINTENANCE MANUAL

FIG. & ITEM	PART NO.	AIRLINE PART NUMBER	NOMENCLATURE 1234567	EFF CODE	QTY PER ASSY
12-145	BAC27TTR0018		MARKER-ALUMINUM FOIL- ACTR UNLOCK	BL-DV ,EA- ED	1
150	BAC27TTR63		MARKER-ALUMINUM FOIL- GD5998	BL,BN ,BQ,B S,BU, BW,BY ,CA CC,CE ,CG,C J,CL, CN,CQ ,CS CU,CW ,CY, DA,DC ,DE,D G,DJ DL,DN ,DQ,D S,DU, EA,EC	1
-155	BAC27TTR64		MARKER-ALUMINUM FOIL- GD6000	BM,BP ,BR,B T,BV, BX,BZ ,CB CD,CF ,CH,C K,CM, CP,CR ,CT CV,CX ,CZ, DB,DD ,DF,D H,DK DM,DP ,DR,D T,DV, EB,ED	1

78-31-15

ILLUSTRATED PARTS LIST
01.1 Page 1063
Jul 01/04

FIG. & ITEM	PART NO.	AIRLINE PART NUMBER	NOMENCLATURE	EFF CODE	QTY PER ASSY
12-160	BAC27TPP0209		1234567 MARKER-ALUMINUM FOIL-GD4350S	BL,BN ,BQ,B S,BU, BW,BY ,CA CC,CE ,CG,C J,CL, CN,CQ ,CS CU,CW ,CY, DA,DC ,DE,D G,DJ DL,DN ,DQ,D S,DU, EA,EC	1
-165	BAC27TPP0213		MARKER-ALUMINUM FOIL-GD4352S	BM,BP ,BR,B T,BV, BX,BZ ,CB CD,CF ,CH,C K,CM, CP,CR ,CT CV,CX ,CZ, DB,DD ,DF,D H,DK DM,DP ,DR,D T,DV, EB,ED	1

78-31-15

 ILLUSTRATED PARTS LIST
 01.1 Page 1064
 Jul 01/04

 **BOEING**
COMPONENT
MAINTENANCE MANUAL

FIG. & ITEM	PART NO.	AIRLINE PART NUMBER	NOMENCLATURE 1234567	EFF CODE	QTY PER ASSY
12-170	BAC27TTR61		MARKER-ALUMINUM FOIL-GD5996DC	BL, BN , BQ, B S, BU, BW, BY , CA CC, CE , CG, C J, CL, CN, CQ , CS CU, CW , CY, DA, DC , DE, D G, DJ DL, DN , DQ, D S, DU, EA, EC	1
-175	BAC27TTR62		MARKER-ALUMINUM FOIL-GD5994DC	BM, BP , BR, B T, BV, BX, BZ , CB CD, CF , CH, C K, CM, CP, CR , CT CV, CX , CZ, DB, DD , DF, D H, DK DM, DP , DR, D T, DV, EB, ED	1

78-31-15

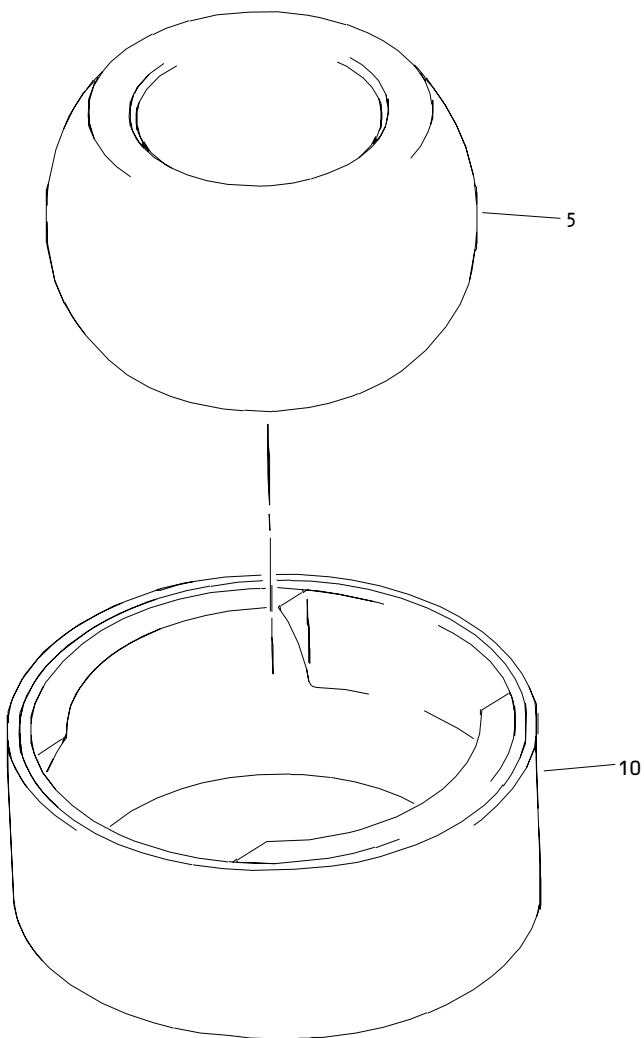
ILLUSTRATED PARTS LIST
01.1 Page 1064A
Jul 01/04

FIG. & ITEM	PART NO.	AIRLINE PART NUMBER	NOMENCLATURE	EFF CODE	QTY PER ASSY
12-180	BAC27TTR59		1234567 MARKER-ALUMINUM FOIL-V170	BL,BN ,BQ,B S,BU, BW,BY ,CA CC,CE ,CG,C J,CL, CN,CQ ,CS CU,CW ,CY, DA,DC ,DE,D G,DJ DL,DN ,DQ,D S,DU, EA,EC	1
-185	BAC27TTR60		MARKER-ALUMINUM FOIL-V171	BM,BP ,BR,B T,BV, BX,BZ ,CB CD,CF ,CH,C K,CM, CP,CR ,CT CV,CX ,CZ, DB,DD ,DF,D H,DK DM,DP ,DR,D T,DV, EB,ED	1

- Item Not Illustrated

78-31-15

 ILLUSTRATED PARTS LIST
 01.1 Page 1064B
 Jul 01/04



Slotted Entry Bearing Assembly
Figure 80

78-31-15

ILLUSTRATED PARTS LIST
01.1 Page 1064D
Jul 01/04

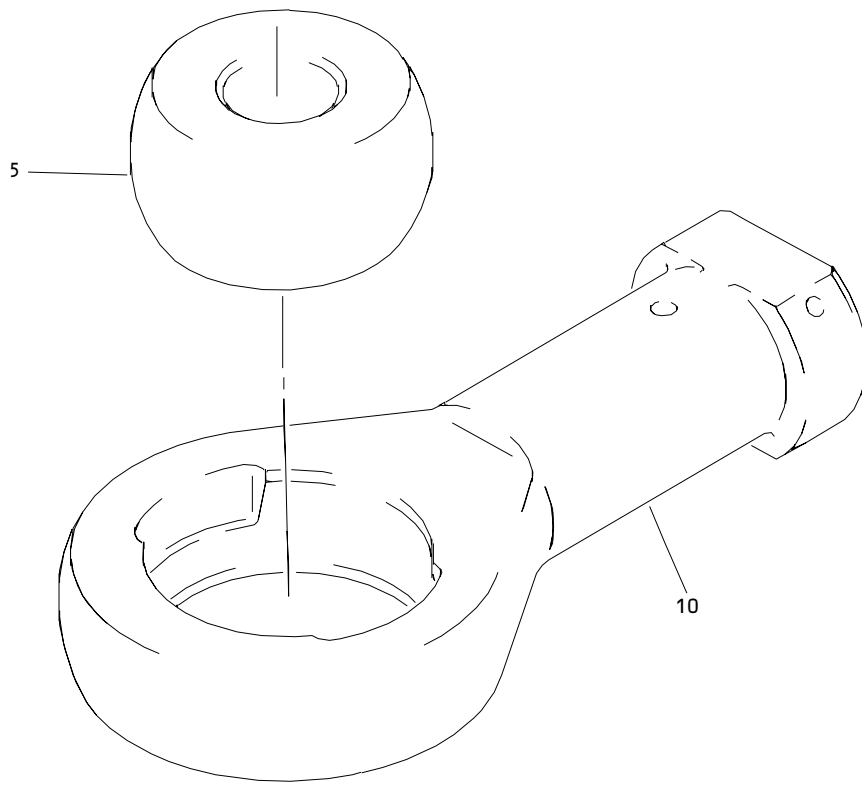
 **BOEING**
COMPONENT
MAINTENANCE MANUAL

FIG. & ITEM	PART NO.	AIRLINE PART NUMBER	NOMENCLATURE	EFF CODE	QTY PER ASSY
			1234567		
80- -1	P21110		DELETED		
-1B	P21110		BEARING ASSY-SLOTTED ENTRY BEARING ASSY-SLOTTED ENTRY (PARTS BREAKDOWN FOR REFERENCE ONLY. REFER TO APPLICABLE VENDOR FOR ADDITIONAL INFORMATION) (V57606) (SPEC S302T001-305A)		RF
5	P21111		.BALL- (V57606)		1
10	P21112		.RACE- (V57606)		1

- Item Not Illustrated

78-31-15

ILLUSTRATED PARTS LIST
01.1 Page 1064E
Jul 01/04



Rod End Assembly
Figure 81

78-31-15

ILLUSTRATED PARTS LIST
01.1 Page 1064F
Jul 01/04

 **BOEING**
COMPONENT
MAINTENANCE MANUAL

FIG. & ITEM	PART NO.	AIRLINE PART NUMBER	NOMENCLATURE 1234567	EFF CODE	QTY PER ASSY
81- -1	VTA04560		DELETED ROD ASSY-END		
-1B	VTA04560		ROD END ASSY- (PARTS BREAKDOWN FOR REFERENCE ONLY. REFER TO APPLICABLE VENDOR FOR ADDITIONAL INFORMATION) (V06710) (SPEC S302T001-304A)		RF
5	VTA04561		.BALL- (V06710)		1
10	VTA04563		.ROD END BODY- (V06710)		1

- Item Not Illustrated

78-31-15

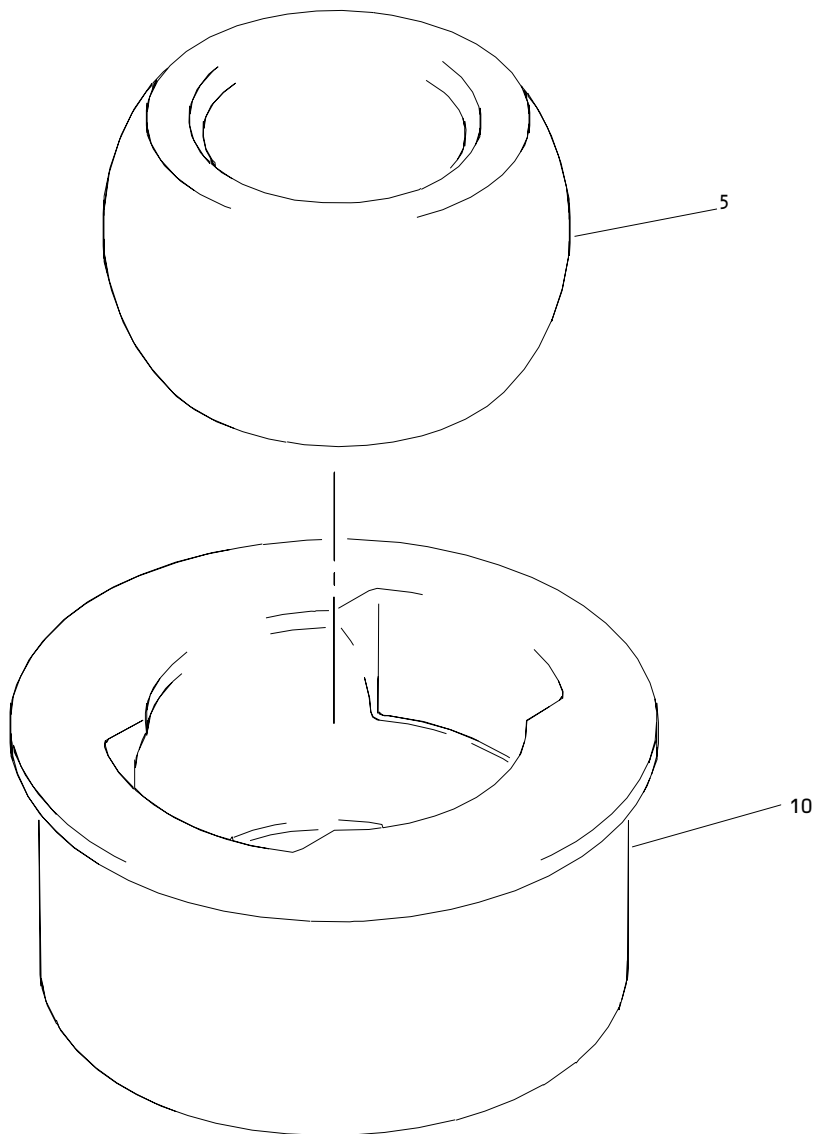
ILLUSTRATED PARTS LIST
01.1 Page 1064G
Jul 01/04

FIG. & ITEM	PART NO.	AIRLINE PART NUMBER	NOMENCLATURE 1234567	EFF CODE	QTY PER ASSY
82-					
-1	A2724-3		DELETED		
5	10083		DELETED		
10	VTA00320		DELETED		
15	NAS1193K5C		DELETED		
20	CL2739-1		DELETED		
25	MS20613-6C30		DELETED		
30	AD66ABS		DELETED		
35	AM2724-1-6		DELETED		
40	S218		DELETED		
45	AM2724-1-5		DELETED		
50	AM2724-1-2		DELETED		
55	AM2724-1-1		DELETED		
60	AM2724-3-1		DELETED		
65	AM1604-1-6		DELETED		
70	S285		DELETED		
75	AM2724-1-3		DELETED		
80	AM2724-1-4		DELETED		
85	RST125CD		DELETED		
90	AM2739-5-8S		DELETED		
95	S240		DELETED		
100	MS20470AD3-10		DELETED		
105	2-117		DELETED		

- Item Not Illustrated

78-31-15

ILLUSTRATED PARTS LIST
 01.1 Page 1064H
 Jul 01/04



Bearing Assembly
Figure 83

78-31-15

ILLUSTRATED PARTS LIST
01.1 Page 1064J
Jul 01/04

 **BOEING**
COMPONENT
MAINTENANCE MANUAL

FIG. & ITEM	PART NO.	AIRLINE PART NUMBER	NOMENCLATURE 1234567	EFF CODE	QTY PER ASSY
83- -1	VTB04540		DELETED		
-1B	VTB04540		BEARING ASSY- BEARING ASSY- (PARTS BREAKDOWN FOR REFERENCE ONLY, REFER TO APPLICABLE VENDOR FOR ADDITIONAL INFORMATION) (V06710) (SPEC S302T001-301A) (OPT P21620 (V57606)) (OPT USB4-136 (V02758))		RF
5	VTB04541		.BALL- (V06710) (SPEC S302T001-301B) (OPT P21621 (V57606))		1
10	VTB04542		.RACE- (V06710)		1

- Item Not Illustrated

78-31-15

ILLUSTRATED PARTS LIST
01.1 Page 1064K
Jul 01/04